



RDM POINT 4 IP

Outdoor DMX/RDM 4 Channel LED Driver

Coolon RDM Point 4 IP is the world's most reliable DMX / RDM driver, especially designed for architectural applications. Intelligent dimming solution for a wide range of LED luminaires and applications. Designed for maximum performance in a robust and easy to mount enclosure.

Use RDM Point 4 IP to interface between a remote standard DMX / RDM source and up to 8Amps constant voltage RGB or RGBW LED fittings. The lights and external power supply are conveniently connected using screw terminals on the output side. Input and through screw terminals are also provided in the interface side for DMX bus connections.





DURABLE

RDM Point 4 IP driver is designed to suit outdoor DMX / RDM controlled LED installations. Robust housing design, suitable for inclement weather. Isolated electronics add extra protection to your fittings.

RELIABLE

Coolon LED drivers are designed and built to the highest standards. Coolon offers high performance, reliability and efficiency supported by our 3 years standard warranty and extended warranty up to 5 years.

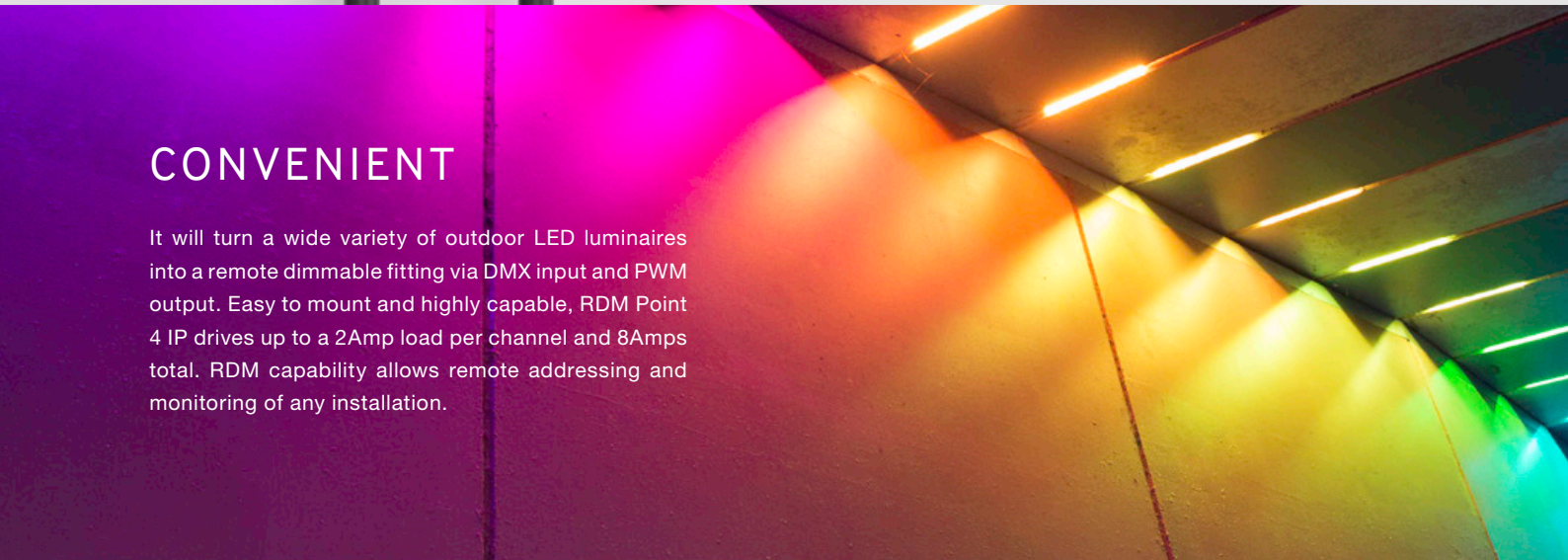
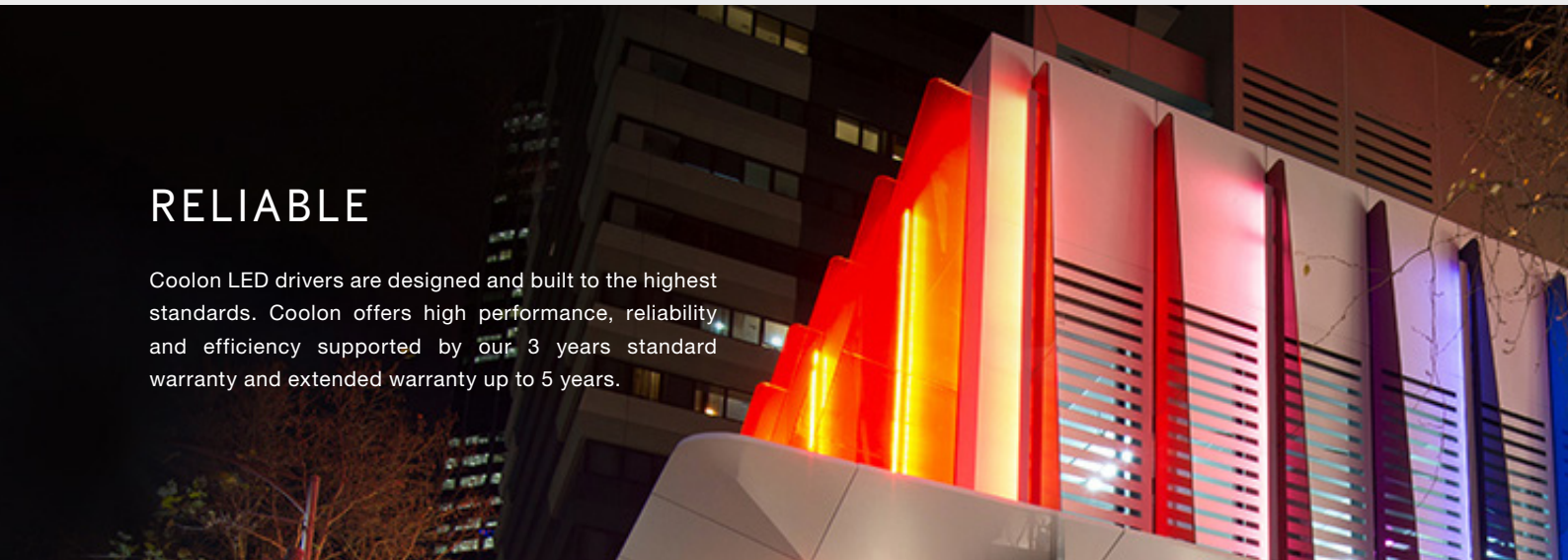


SIMPLE

Easy wiring using cable glands and screw terminals, making on-site installations free of specialized tools or crimping.

CONVENIENT

It will turn a wide variety of outdoor LED luminaires into a remote dimmable fitting via DMX input and PWM output. Easy to mount and highly capable, RDM Point 4 IP drives up to a 2Amp load per channel and 8Amps total. RDM capability allows remote addressing and monitoring of any installation.



TECHNICAL SPECIFICATIONS

Product Code	DRV-RDM-IP-P4
Description	Outdoor DMX / RDM 4 Channel LED Driver
Device Type	DMX / RDM input, open drain constant voltage output (suitable for constant voltage LED Lights)
Control Protocol	DMX512 / RDM
Solid State Output	4x MOSFET, Open drain
PWM Frequency	75 – 1950 Hz
Dimming Range	1 – 100%
Load / Supply Voltage	12 – 48VDC
Power Consumption	< 1 Watt at 24V (No Load)
Max Load Current	2 Amps per channel
Electrical Protection	±15kV ESD protection (human body model) 30kV/µs Common Mode Transient Immunity 560V PEAK Common Mode Working Voltage
DMX Network Special Features	Integrated Selectable 120Ω Termination 1/8 unit load (up to 256 nodes per bus)
Dimming Special Features	Matrix White™ Selectable Digital Processing Algorithm Digital Low Pass Filter
Enclosure	Aluminium die-cast / UV stable polycarbonate lid
IP Rating	IP65
Working Temperature	-10 to +50°C
Connectors	Screw terminals, through cable glands

APPLICATIONS

RDM Point 4 IP can be used to remotely drive a variety of Coolon LED luminaires, yet is also suitable for most constant voltage LED products including applications such as:

Architainment	Architectural Outdoor Lighting	Commercial Outdoor Lighting
Façades	Outdoor Entertainment	RGB and RGBW installations
Stadiums	Street and Outdoor Lighting	Theme Park
Tough Environments		

COMPATIBILITY

RDM Point 4 IP can be used to add DMX / RDM control to the following Coolon LED luminaires, yet is also suitable for most constant voltage LED products.

Alto	Aris UG	Electro
Forma	Interra	Latitude 37 RGBW
Max Mini UG	Multo	Multo CC
Slim	Spectrum 450	

FEATURES



Fully protected against dust.
Protected against water jets from all directions.

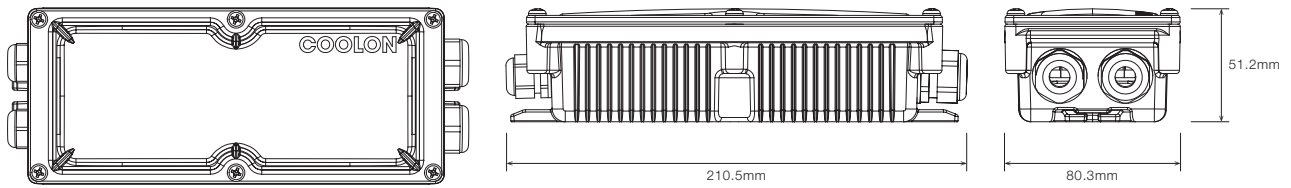


Coolon Controllers are covered by a solid comprehensible 5 year manufacturer's warranty.

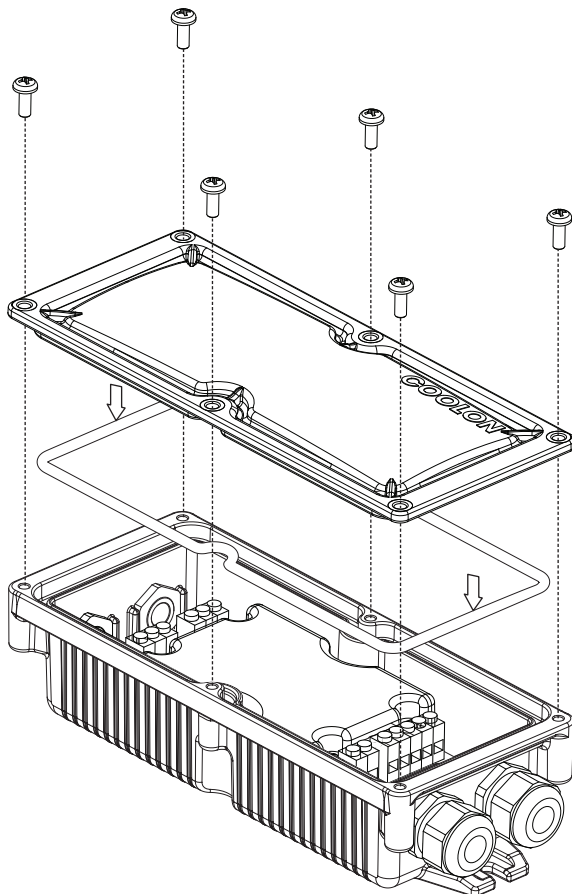


Our products are designed and manufactured in Australia to ensure the highest standards.

DIMENSIONS

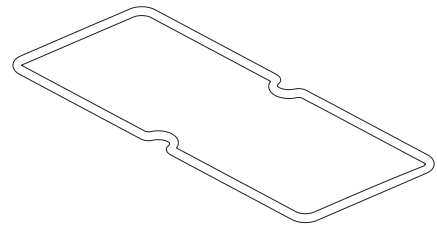


INSTALLATION INSTRUCTIONS



STEP 1

Ensure seal is seated properly in the groove of the base.



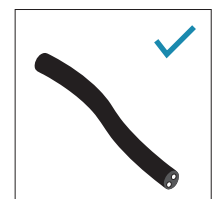
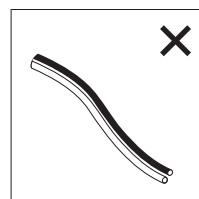
STEP 2

Screw down cover using 6 screws.

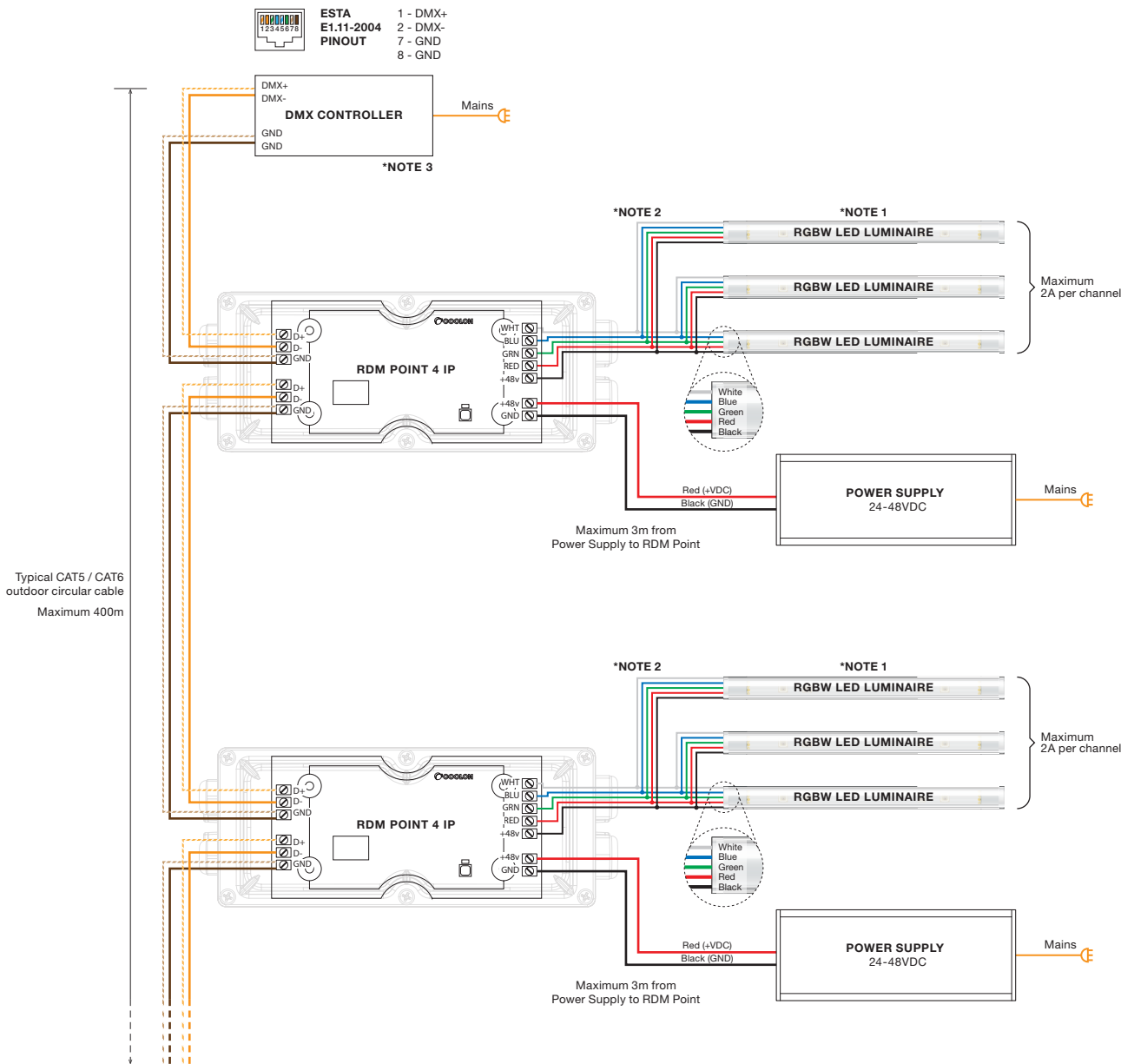


STEP 3

The enclosure becomes IP65 when the cable glands are sealed.



■ WIRING DIAGRAM



- *NOTE 1** DO NOT EXCEED maximum single of each luminaire check individual product specifications for run length.
- *NOTE 2** Maximum overall distance from power supply to strips **MUST NOT EXCEED** 15 metres if AWG13 or 1.83mm² cable is used.
- *NOTE 3** Cool DMX or any other standard DMX / RDM controller can be used.