



BLOCK

FLOOD LIGHT FLD-BLOCK





Block is a high-power architectural floodlight that provides a balance of power and size. Combining robust design and the highest quality components, Block is designed specifically for architectural applications where reliability, control and performance are paramount. Each element of the 24 LED luminaire has been carefully engineered to provide reliable performance. At IP66, Block is suitable for both indoor and outdoor use.

POWER

80W



SC

COLOUR TEMPERATURE

2700K

3000K

4000K

5000K



POWER & SIZE

Block provides impressive lumen output for a luminaire of its size. At only 206mm x 230mm x 110mm the neat and compact Block outshines and outperforms in any application.

BUILT TO LAST

With a rugged anodised aluminium enclosure and a tempered glass cover, Block's sturdy style provides durability and impact protection.

Maintenance is simple, as Block is high pressure washable and unaffected by common cleaning agents. Block provides unrivalled reliability and performance, essential for demanding applications.



L70

LONG OPERATING LIFE

Coolon products use the world's most reputable LED manufacturers and the latest available standards to adequately report lumen maintenance. We strive to drive LEDs under their nominal current and use state-of-the-art heat dissipation methods, leading to durable electronics



VARIOUS CCT & COLOUR BINNING CONSISTENCY

All products are offered in various colour temperatures, and manufactured using tighter bins, ensuring excellent consistency and uniformity.

5 YEARS

5 YEARS WARRANTY

Coolon luminaires are covered by a solid comprehensive manufacturer's warranty that covers a range of possible defects and performance parameters throughout the duration of the warranty period.



PROUDLY MADE IN AUSTRALIA

Our products are designed and manufactured in Australia. Engineered to perfection, using only the highest quality components and highly skilled labour, each luminaire is assembled and thoroughly tested to ensure that it exceeds the highest standards.

TECHNICAL SPECIFICATIONS

Product Code	FLD-BLOCK-80W
Description	Block 80W
Material Composition (Body)	Aluminium Alloy
Body Finish	Anodised Black (Standard), Various Colours Available
Material Composition (Cover)	Tempered Glass (Standard)
Material Composition (Bracket)	Stainless Steel
Luminous Flux (Photometered)	9,033 lm (12D Optic)
Correlated Colour Temperature (CCT)	2700K / 3000K / 4000K / 5000K
Nominal Voltage (Inventronics Driver)	90 – 305VAC / 127 – 250VDC
Typical Power Consumption	80W
Colour Rendering Index (CRI)	CRI 80+
Dimmable	Through EUD-075S105BV DALI CC Driver (Included)
Operating Temperature	-10°C to 50°C
Thermal Operating	Active / Continuous (Programmed in DALI Driver)
Average Lumen Maintenance @Ta 25°C	70% @ 50,000 Hours
IP Rating	IP66
Impact Rating	IK09 (Luminaire - not including cables)
Luminaire Weight	3.5kg
Bracket Weight	1.0kg
Warranty	5 Years

LUMEN / METRE MATRIX

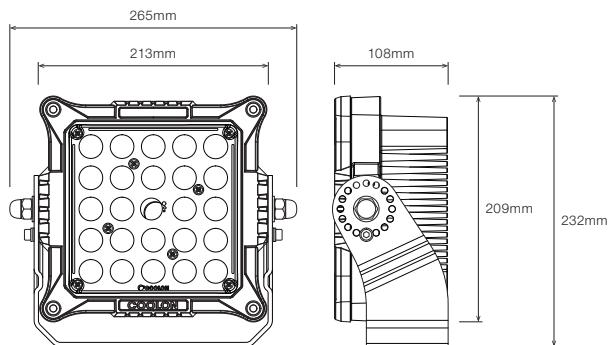
POWER	LUMINOUS FLUX	EFFICACY
80W CRI 80+		
12D Optic	9,033 lm	112
36D Optic	7,918 lm	99
04712D Optic	7,896 lm	98
100D Optic	7,394 lm	94

IP RATING

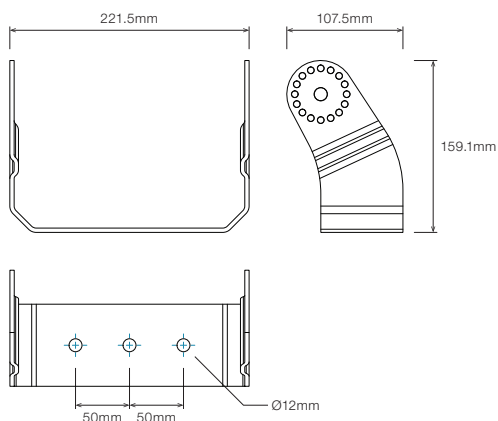
IP66

Fully protected against dust.
Protected against wave-like water jets from all directions.

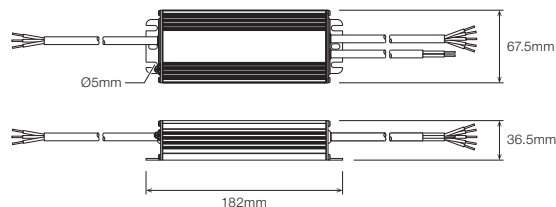
■ DIMENSIONS



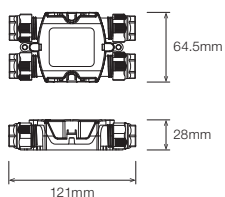
BRACKET



POWER SUPPLY (INVENTRONICS EUD-075S105BV)



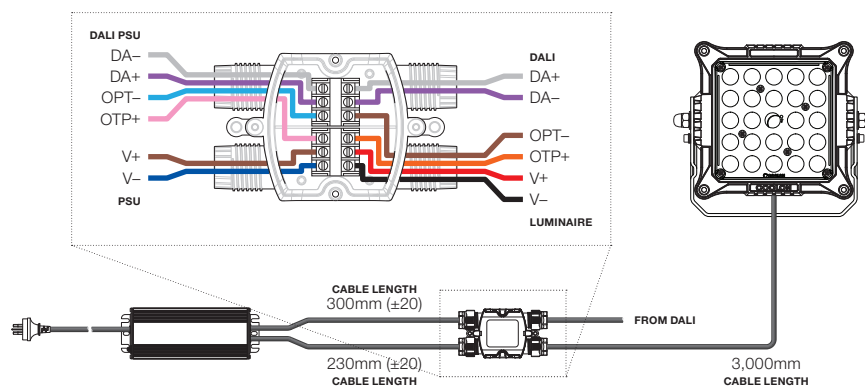
4 WAY JUNCTION BOX



■ POLAR DISTRIBUTION

	OPTIC	POLAR DISTRIBUTION
12D Narrow Beam 12° Beam Angle		
36D Medium Beam 36° Beam Angle		
O4712D Oval Beam Oval 47° x 12° Beam Angle		
100D Wide Beam (No Optics) 100° Beam Angle		

■ WIRING WITH INVENTRONICS DALI DRIVER (STANDARD)



ORDERING EXAMPLE

FLD - BLOCK - 80W_DALI - 3.0K - 36D - BLK



■ **WATTAGE**

80W_DALI

■ **COLOUR TEMPERATURE**

2.7K	2700K CRI 80
3.0K	3000K CRI 80
4.0K	4000K CRI 80
5.0K	5000K CRI 80

■ **OPTICS**

12D	12° Beam
36D	36° Beam
O4712D	Oval 47° x 12° Beam
100D	100° Beam

■ **BODY COLOUR ¹**

BLK	Black (Standard)
WHT	White
CST	Custom Colour

¹ Custom colours available on request.