

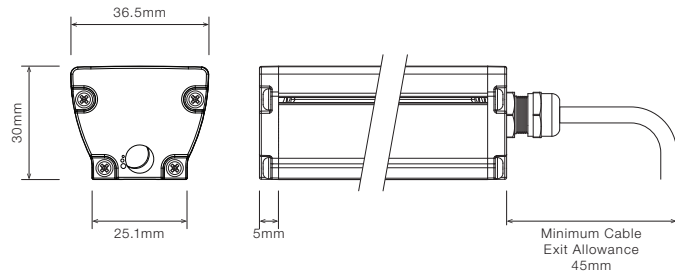


MAX MINI INSTALLATION INSTRUCTIONS

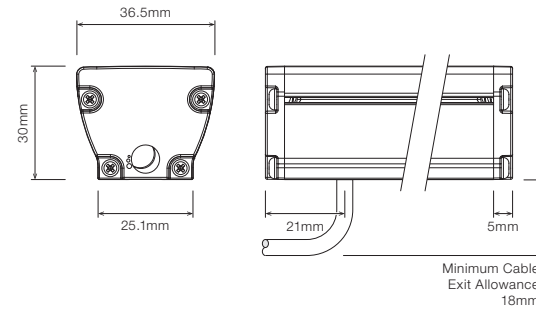


■ PROFILE DIMENSIONS

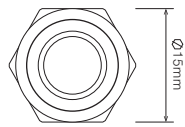
Wire from side



Wire from back



Cable Gland

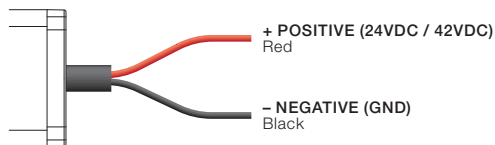


⚠ ATTENTION

- Please observe / follow the instructions methodically.
- Please ensure the units are handled with extreme care.
- Do not remove LED strips from packaging prematurely. Only remove from packaging when ready for installation.
- Failure to observe installation instructions and handling will void warranty of the product.
- Fittings must be installed by a licensed electrician.
- Before installing, make sure the power supply is switched off.

■ WIRING OPTIONS

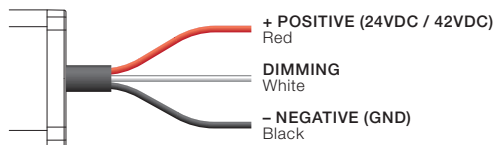
2 wires (RB) - Indoor only



2.2pin Male connector - Outdoor only



3 wires (RBW) - Indoor only

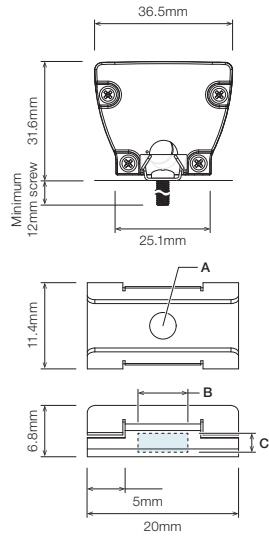


6pin Male connector - Outdoor only

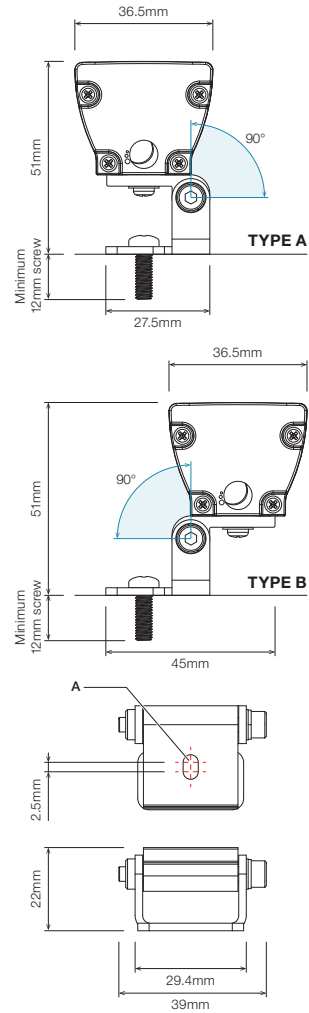


■ PROFILE DIMENSIONS

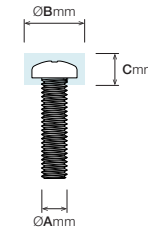
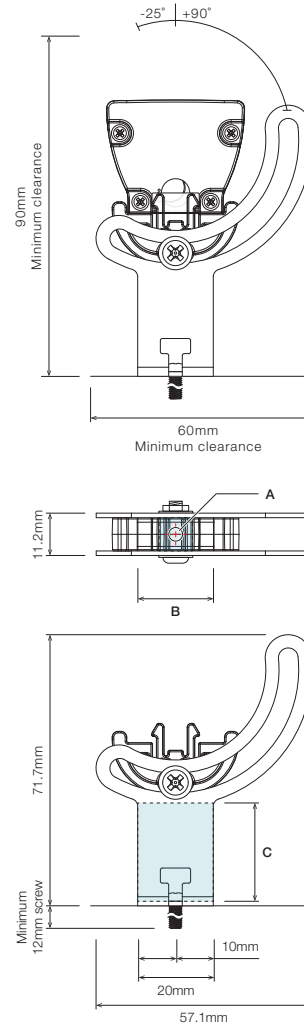
With MC-CCLIP
Stainless Steel C-Clip



With MBR-RB-TA-BLK & MBR-RB-TB-BLK
Rotating Bracket Type A & Type B



With MBR-PMAX-E-BLK & MBR-PMAX-E-WHT
Elevated Rotating Mounting Bracket



| | MC-CCLIP | MBR-RB-TA/TB | MBR-PMAX-E |
|--|----------|--------------|------------|
| A (Ø_mm) Screw outer diameter | 3.5 | 4 | 3.3 |
| B (Ø_mm) Screw head clearance | 6.6 | N/A | 8.8 |
| C (mm) Screw head pocket depth | 2.5 | N/A | 26.0 |

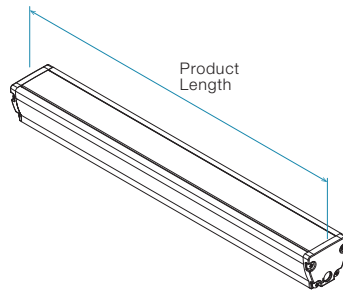
STAINLESS STEEL C-CLIP

STEP 1

Before you begin installation, ensure that you understand the fitting layout required as supplied fitting lengths may vary.

Refer to the supplied cut sheet for length breakdowns.

** For fittings 1 metre or longer two installers are recommended.*

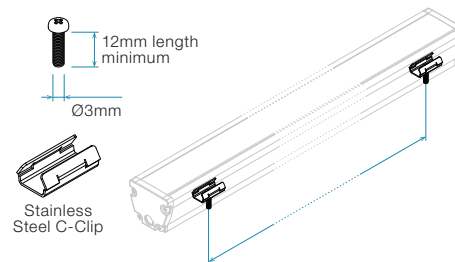


Clips spaced at 300mm, refer to luminaire cut sheet for allocated quantity per fitting.

STEP 2

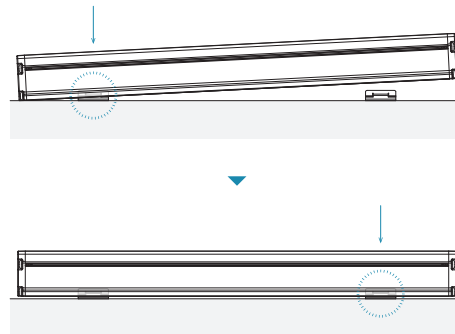
Prepare mounting clips and screws (Ø3.5mm).

Secure mounting clips with screws on timber or metal surface ensuring that mounting clips are positioned screw side up.



STEP 3

Lay the luminaire on top of the clips and align so all clips are centred. Starting at one end push down the fitting until you hear the clip lock into place. Continue along the profile until all clips are locked.



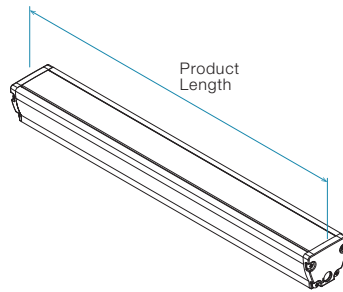
ROTATING BRACKET TYPE A & TYPE B

STEP 1

Before you begin installation, ensure that you understand the fitting layout required as supplied fitting lengths may vary.

Refer to the supplied cut sheet for length breakdowns.

* For fittings 1 metre or longer two installers are recommended.



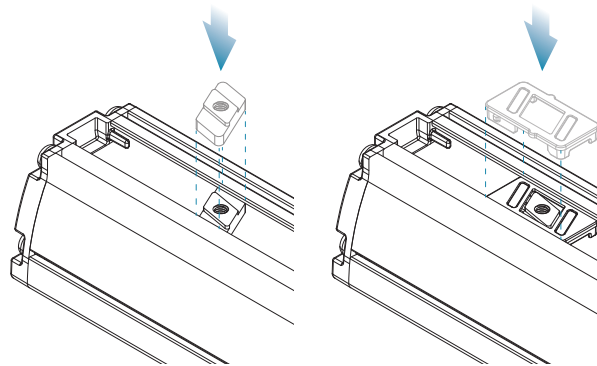
Recommended number of brackets:

| | |
|------------------------|------------|
| <1 metre | 2 brackets |
| >1 metre and <2 metres | 3 brackets |
| >2m metres | 4 brackets |

STEP 2

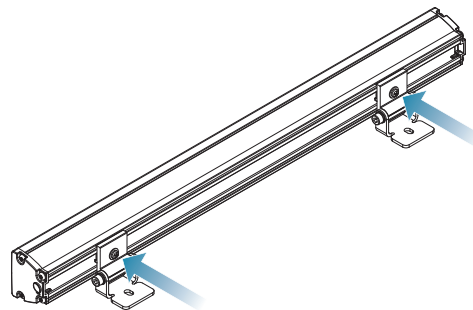
Place rhomb nut in the base of the extrusion of the luminaire, ensuring that the edges of the nut are parallel with the edges of the extrusion.

Next place the plastic aligning clip over the rhomb nut.



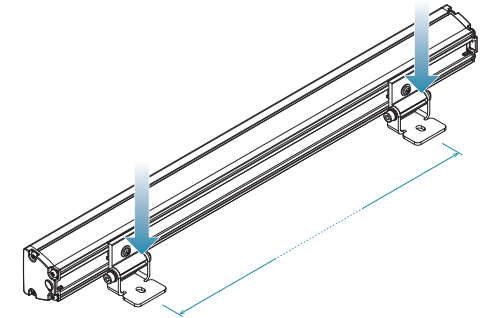
STEP 3

Place the edge of the bracket (with the slight lip) over the extrusion and secure the bracket to the rhomb nut using the screw provided.



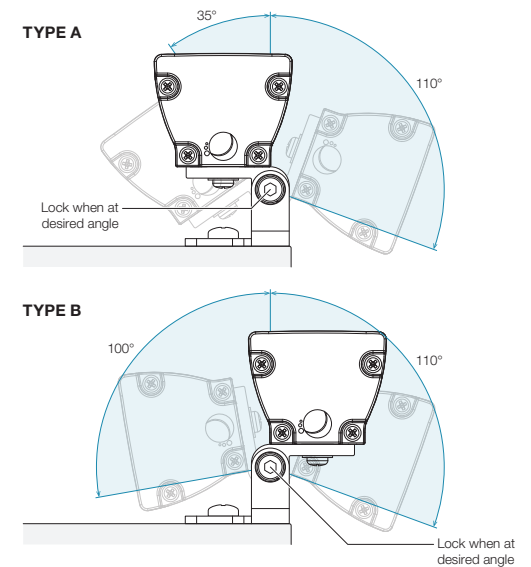
STEP 4

Prepare screws (Ø4mm). Secure the other side of the bracket with screws on timber or metal surface ensuring that mounting clips are straight.



STEP 5

Rotate the fitting to the desired angle and use Allen key provided to tighten bracket to secure in place.



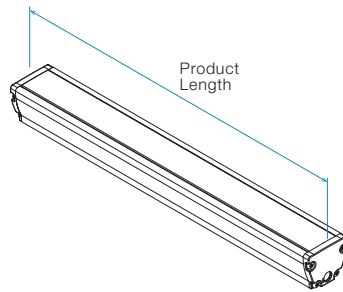
ROTATING BRACKET

STEP 1

Before you begin installation, ensure that you understand the fitting layout required as supplied fitting lengths may vary.

Refer to the supplied cut sheet for length breakdowns.

** For fittings 1 metre or longer two installers are recommended.*

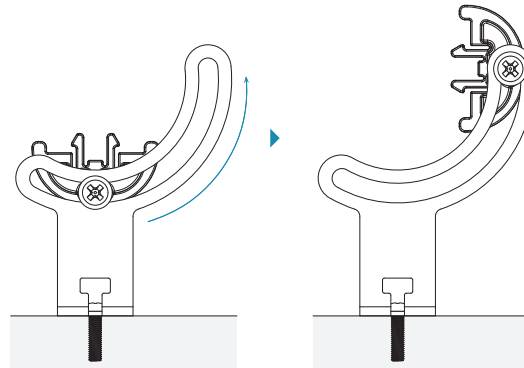


Spaced 500mm, refer to luminaire cut sheet for allocated quantity per fitting.

STEP 2

Prepare mounting brackets and screws (Ø3mm with a minimum length of 12mm). Slide clip away from base so that you have clear access to screw holes.

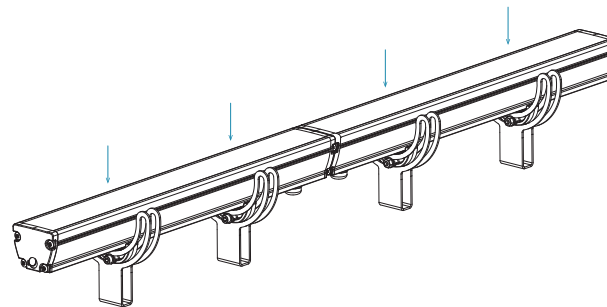
Secure the base with screws on timber or metal surface ensuring that they are straight. Slide mounting clip back to the base when you are done.



STEP 3

Ensure that all brackets are rotated the same way with the locking clips parallel with the base. Starting at one end push down the fitting until you hear that the clip lock into place. Continue along the profile until all clips are locked.

Once fitting is fully connected you can rotate the fitting to your desired angle.



WIRING

If the fitting is wired from the back:

It will need to be wired before mounting.

If the fitting is wired from the side:

It will need to be wired after mounting.

Wire the fitting to the correct power supply as advised on the cut sheet.

* Typically supplied with AU flex and plug (1.8m long)

