



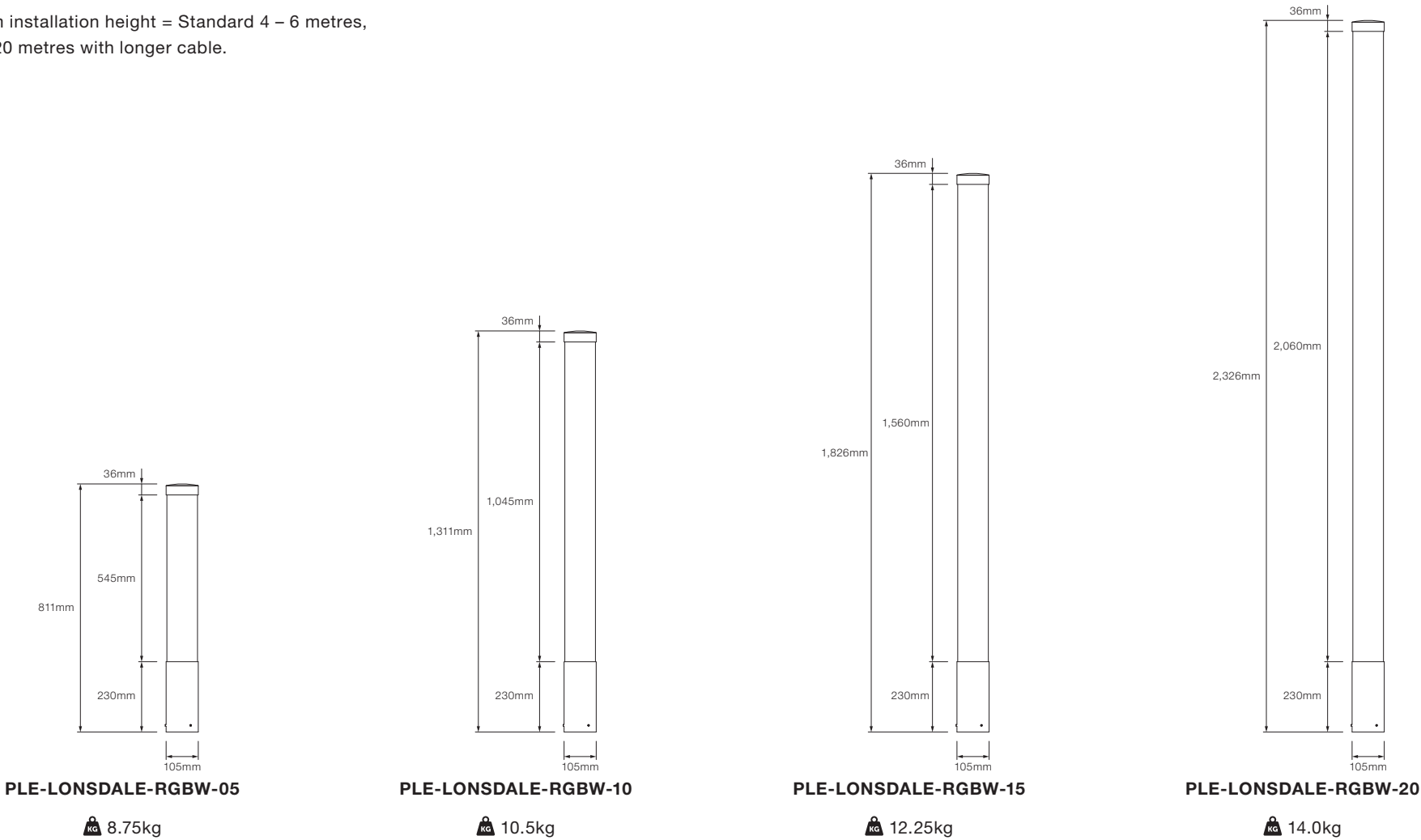
LONSDALE RGBW INSTALLATION INSTRUCTIONS



▪ DIMENSIONS

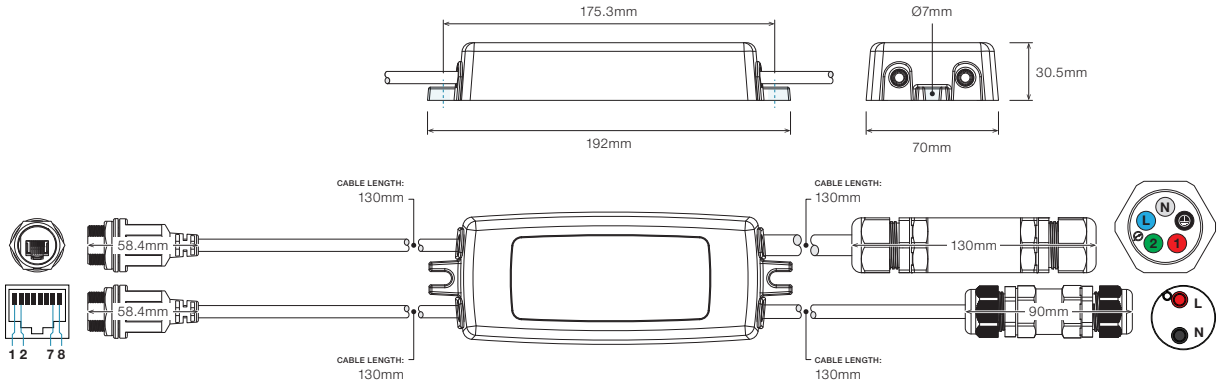
Top cap is typically white. Base is typically grey
 Can be painted to specification of the light pole.

Maximum installation height = Standard 4 – 6 metres,
 or up to 20 metres with longer cable.



DRIVERS & PSUS

RDM CV NEO • DRV-RDM CV NEO-RJ45F-OJ5-IP65



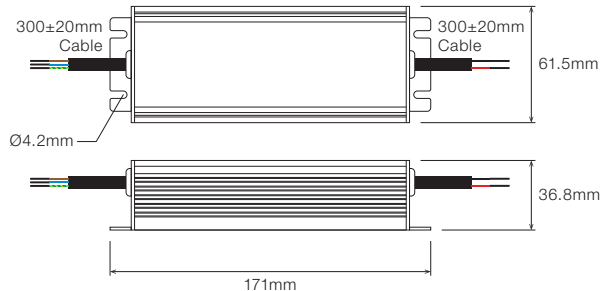
RJ45F • CAT5 Ethernet Female Connector

- 1 DMX + 2 DMX -
- 7 Common 8 Common

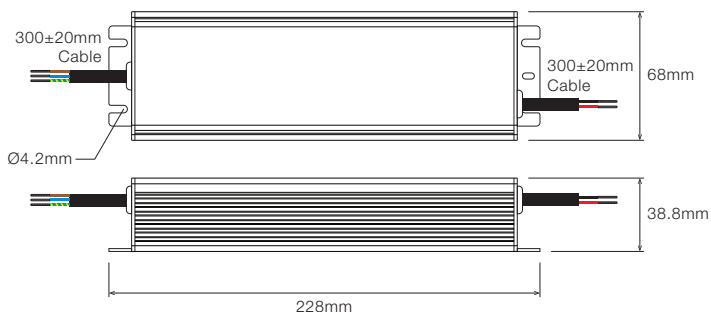
OJ5 • Outdoor Joiner 5 Pin

- CH3 CH4 Common
- CH1 CH2

60W POWER SUPPLY



150W POWER SUPPLY



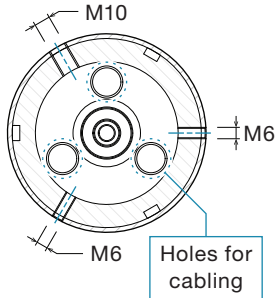


▪ STEP 1

Fit Lonsdale RGBW pole over spigot and ensure cable is fed through carefully to avoid any damage.

Recommended Spigot Size

NPS 2½ / DN 65
Outer Ø: 73mm
Min. Length: 190mm

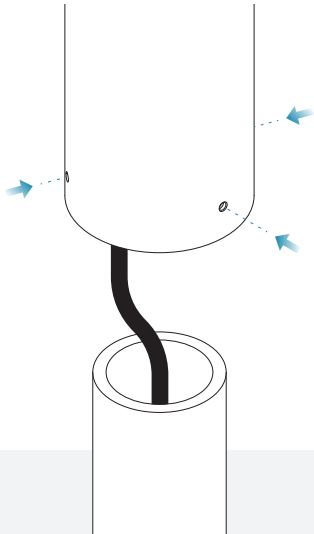


A riser of NPS 3½ / DN 90 will match the luminaire's outer diameter.

ⓘ Installer should grip the assembly from the base.

▪ STEP 2

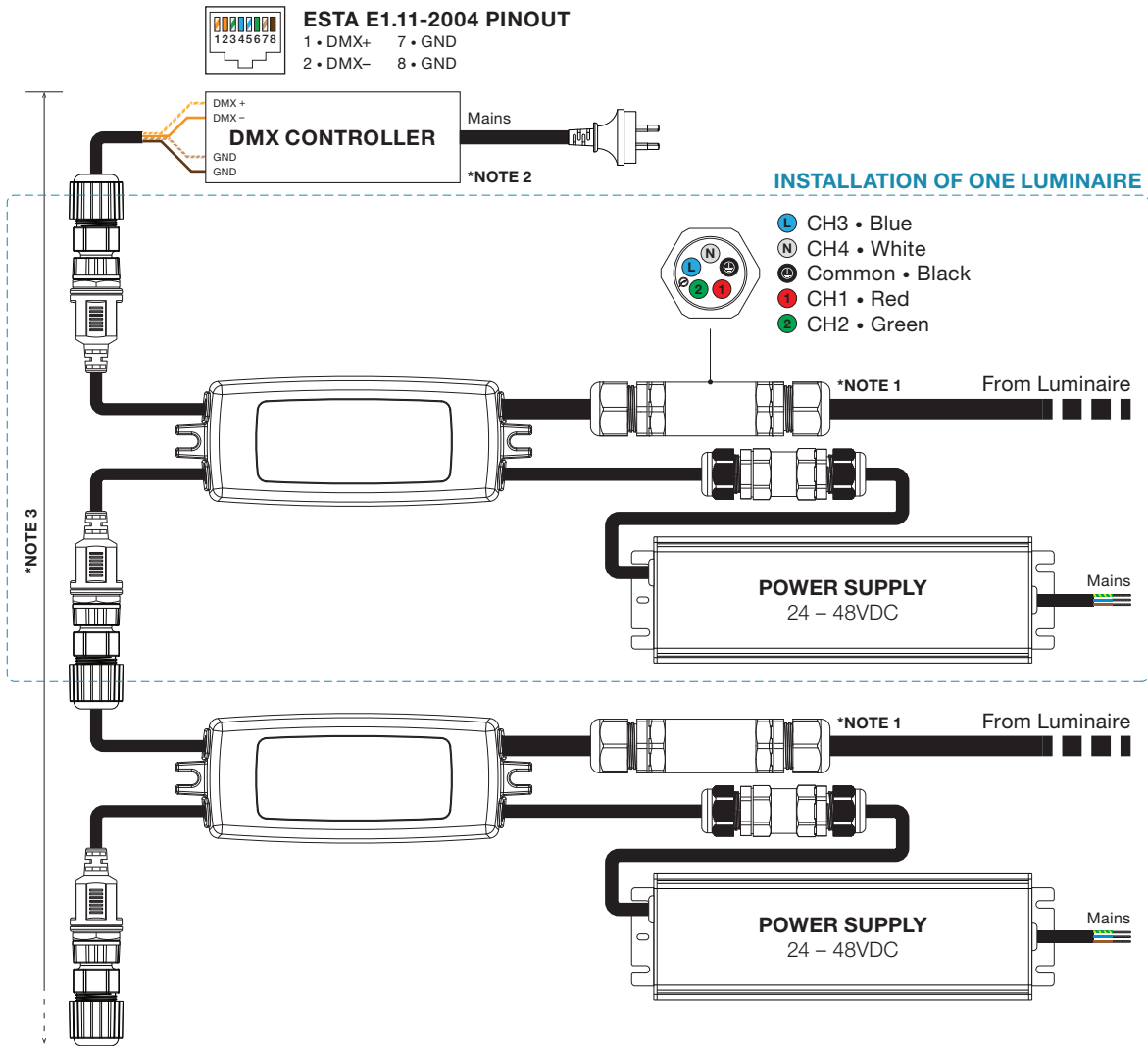
Secure using 2x M6 and 1x M10 set-screws with a torque of 8 – 9Nm. All 3 screws must be tightened.



▪ STEP 3

Wire up according to the wiring diagram (on next page).

WIRING



- NOTE 1**

Maximum overall distance from power supply to luminaire **MUST NOT EXCEED 20 metres** if AWG13 or 1.83mm² cable is used.

Luminaire cable (5 Core) is typically supplied at 4 metres, for longer cables please advise Coolon at procurement stages
- NOTE 2**

Cool DMX or any other standard DMX / RDM controller can be used.
- NOTE 3**

Typical CAT5 / CAT6 outdoor circular cable supplied by others. Maximum 300m from DMX control unit to the last RDM / DMX driver in a typical daisy chain topology.
- NOTE 4**

Installer to ensure fitment of RDM and PSU considering physical dimensions and appropriate location relative to luminaire.