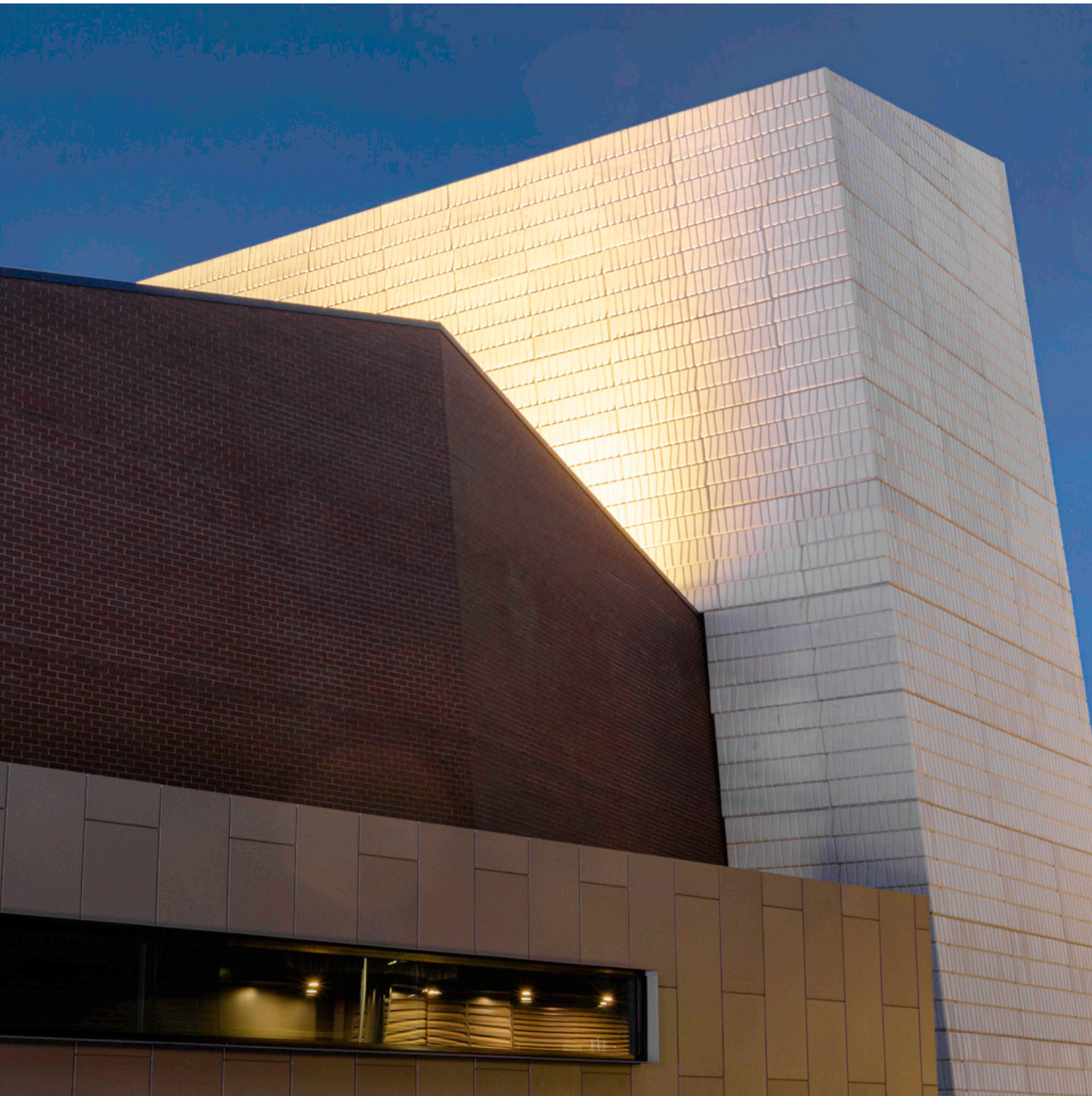
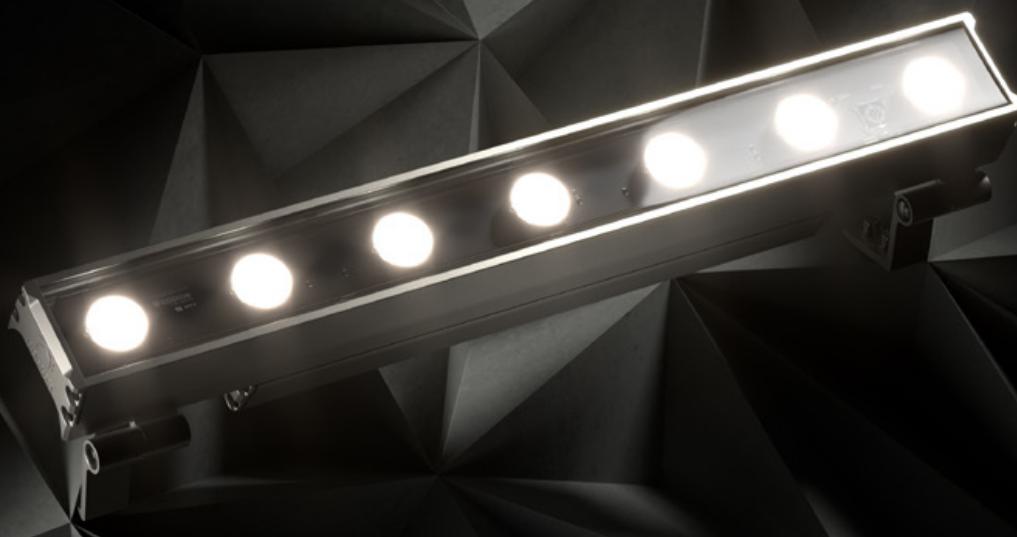




ARIA

LINEAR AC FLOODLIGHT PRJ-ARIA





Aria is a high power linear AC floodlight luminaire, specifically designed for creative wall washing and grazing applications. Powerful, robust and available in multiple length options which allow for greater design flexibility. The luminaire features an integral power supply and DALI / 0–10V driver.

POWER (AC)

LUMINOUS FLUX

23W

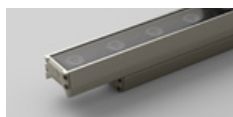
23W / 600mm unit



2,000 lm (Varies with CCT and optic choice)

46W

46W / 1,200mm unit



4,000 lm (Varies with CCT and optic choice)

COLOUR TEMPERATURE

2700K

3000K

4000K

POLYURETHANE ENCAPSULATION

Aria utilises Coolon's encapsulation technology to deliver a truly extraordinary outdoor luminaire. IP66 and IK08, shock and abrasion resistance, thermal protection and reliability are all ensured.

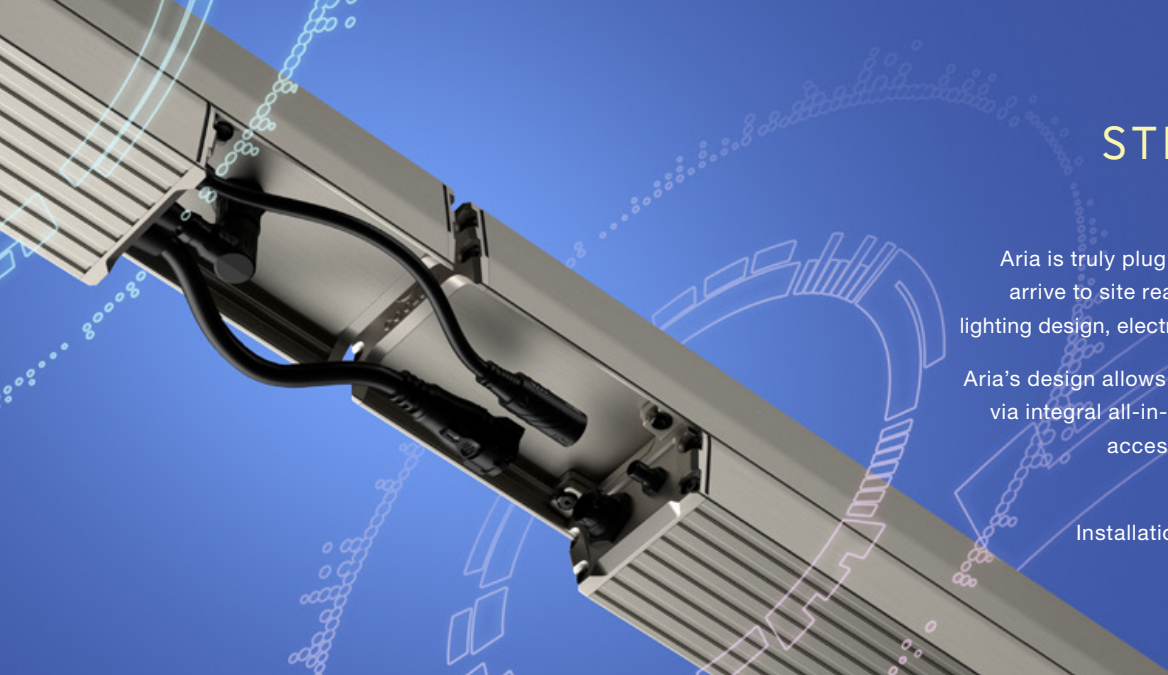


STREAMLINED TOPOLOGY

Aria is truly plug and play - your luminaires arrive to site ready to perform, simplifying lighting design, electrical layout and installation.

Aria's design allows a system to be connected via integral all-in-one cables without further accessories and junction boxes.

Unpack. Connect. Enjoy.
Installation has never been simpler.



LONG OPERATING LIFE

Coolon products use the world's most reputable LED manufacturers and the latest available standards to adequately report lumen maintenance. We strive to drive LEDs under their nominal current and use state-of-the-art heat dissipation methods, leading to durable electronics.



VARIOUS CCT & COLOUR BINNING CONSISTENCY

All products are offered in various colour temperatures, and manufactured using tighter bins, ensuring excellent consistency and uniformity.



5 YEARS WARRANTY

Coolon luminaires are covered by a solid comprehensive manufacturer's warranty that covers a range of possible defects and performance parameters throughout the duration of the warranty period.



PROUDLY MADE IN AUSTRALIA

Our products are designed and manufactured in Australia. Engineered to perfection, using only the highest quality components and highly skilled labour, each luminaire is assembled and thoroughly tested to ensure that it exceeds the highest standards.

TECHNICAL SPECIFICATIONS

Product Code	PRJ-ARIA-06	PRJ-ARIA-12
Variation	Static White	
Length	600mm	1,200mm
Nominal Power	23W	46W
Body	Aluminium Alloy Body	
Finish	Brushed Natural Anodized	
Cover	Polyurethane	
Endcaps	Powdercoated Die-cast Aluminium	
Weight	4.2kg	6.2kg
LEDs per Luminaire	7 clusters of 4 Nichia E17 (24 pieces per luminaire)	
Input Voltage	120 – 250VAC	
Input Frequency Range	50 – 60Hz	
Power Factor (PF)	> 0.9 (At full Power)	
Max. Inrush Current	< 200mA ² s @ 120V / 60Hz < 200mA ² s @ 230V / 50Hz < 200mA ² s @ 277V / 60Hz	
Leakage Current	< 100 µA	
Total Harmonics Distortion (THD)	< 2% (At full Power)	
Max. Input Power	24W	48W
Max. Continuous Connection Length	Up to 64 Units @ 230VAC Up to 40 Units @ 120VAC	Up to 40 units @ 230VAC Up to 20 Units @ 120VAC
Dimming / Control	Through DALI-2 Device Type 6 / 0–10V	
External Heatsink Required	No	
Ambient Operating Temperature	Ta -40°C to 50°C	
Reported Lumen Maintenance	NCSLE17A	
TM21-11 (@ Ts = 85°C, If = 700mA)	L90 (10K) = 32,200 hours L70 (10K) > 60,000 hours Aria Max. operating values (@ Ts = 70°C, If = 680mA)	
IP Rating	IP66 (Standard)	
IK Rating	IK08 (Standard) - Not including Wiring / Connectors	

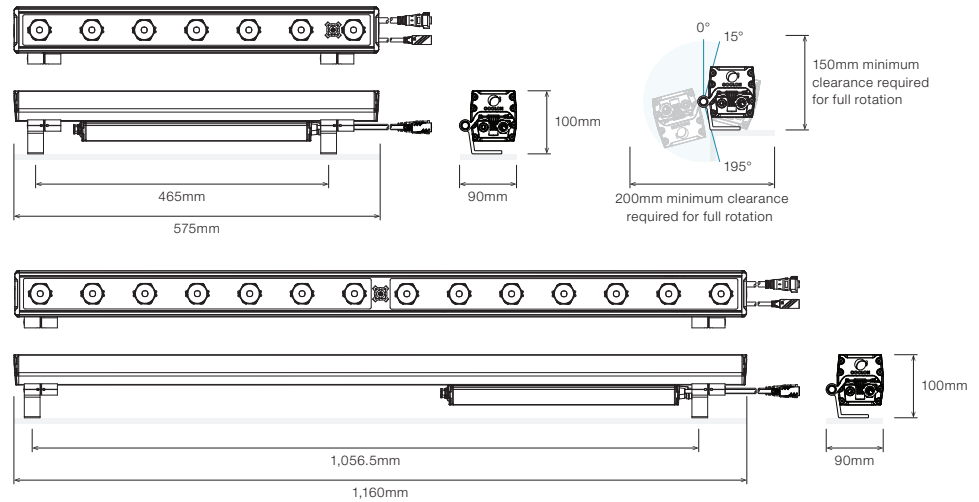
POWER & LUMEN OUTPUT

23W 23W / 600mm unit	20D	30D	52D	O3215D	O6010D
■ 2700K	1,817 lm	1,689 lm	1,926 lm	1,679 lm	NM
■ 3000K	1,978 lm	1,850 lm	2,087 lm	1,851 lm	NM
■ 4000K	2,139 lm	2,011 lm	2,248 lm	2,012 lm	NM
46W 46W / 1,200mm unit	20D	30D	52D	O3215D	O6010D
■ 2700K	3,356 lm	3,376 lm	3,852 lm	1,679 lm	NM
■ 3000K	3,678 lm	3,698 lm	4,174 lm	3,714 lm	NM
■ 4000K	4,000 lm	4,020 lm	4,496 lm	4,036 lm	NM

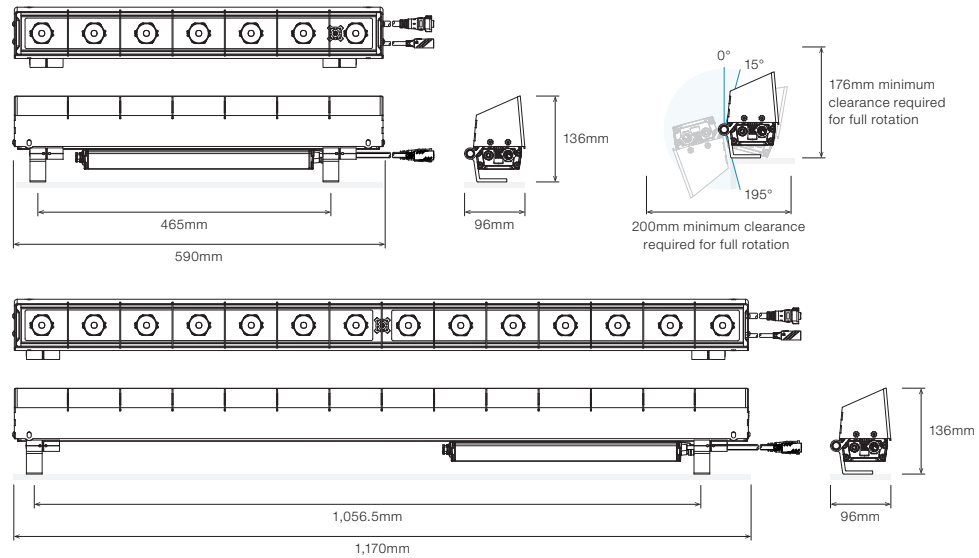
✘ : CCT / Profile combination NOT AVAILABLE NM : Lumen output NOT MEASURED

■ DIMENSIONS

WITH ROTATING BRACKET



WITH ROTATING BRACKET AND GLARE SHIELD



CONNECTOR PIN-OUTS



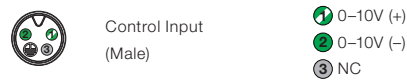
DIMMING CONTROL

DALI Single White

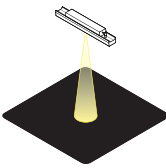
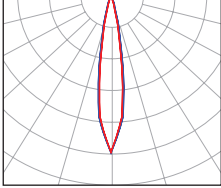
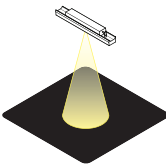
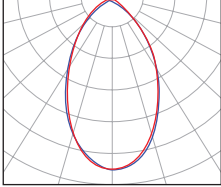
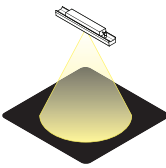
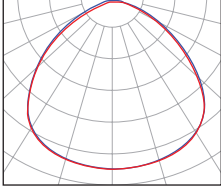
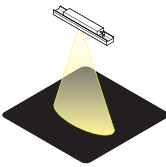
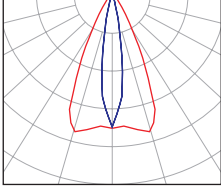
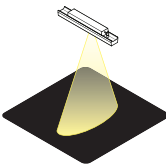
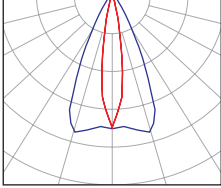
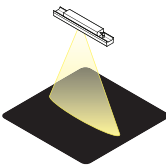
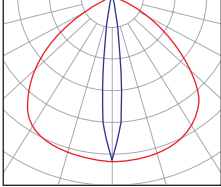
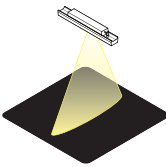
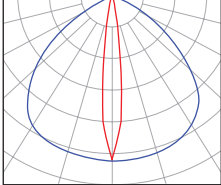


DIMMING CONTROL

0 – 10V Single White



■ POLAR DISTRIBUTION

OPTIC		POLAR DISTRIBUTION
<p>20D Narrow Beam 20° Beam Angle</p>		
<p>30D Medium Beam 30° Beam Angle</p>		
<p>52D Wide Beam 52° Beam Angle</p>		
<p>O3215D Oval Beam Oval 32° x 15° Beam Angle</p>		
<p>RO3215D Oval Rotated Beam Oval 15° x 32° Beam Angle</p>		
<p>O6015D Oval Beam Oval 60° x 15° Beam Angle</p>		
<p>RO6015D Oval Rotated Beam Oval 15° x 60° Beam Angle</p>		

■ PROFILE COLOUR

BNA - Brushed Natural Anodised



BLK - Black



■ IP RATING

IP66

Fully protected against dust.
Protected against wave-like water jets from all directions.

▪ ORDERING EXAMPLE

PRJ - ARIA - 3.0K - 12 - O3215D - BNA - DT6SW



■ COLOUR TEMPERATURE

2.7K	2700K
3.0K	3000K
4.0K	4000K

■ PRODUCT LENGTH

06	575mm
12	1,160mm

■ OPTICS

20D	20° Beam
30D	30° Beam
52D	52° Beam
O3215D	Oval 32° x 15° Beam
RO3215D	Oval 15° x 32° Beam
O6015D	Oval 60° x 15° Beam
RO6015D	Oval 15° x 60° Beam

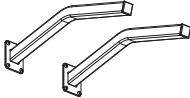
■ PROFILE COLOUR

BNA	Brushed Natural Anodised
BLK	Black

■ DIMMING CONTROL

DT6SW	DALI Single White
010	0 – 10V Single White

■ ACCESSORIES

	PRODUCT CODE	DESCRIPTION
	MOUNTING BRACKET ¹	
	MBR-PRJ-ARM-500-WHT	Projector Outreach arm 500mm (1 unit), White
	MBR-PRJ-ARM-850-WHT	Projector Outreach arm 850mm (1 unit), White
	MBR-PRJ-ARM-1000-WHT	Projector Outreach arm 1000mm (1 unit), White
	MBR-PRJ-ARM-500-BLK	Projector Outreach arm 500mm (1 unit), Black
	MBR-PRJ-ARM-850-BLK	Projector Outreach arm 850mm (1 unit), Black
	MBR-PRJ-ARM-1000-BLK	Projector Outreach arm 1000mm (1 unit), Black
	MBR-PRJ-ARM-500-CHR	Projector Outreach arm 500mm (1 unit), Chrome
	MBR-PRJ-ARM-850-CHR	Projector Outreach arm 850mm (1 unit), Chrome
	MBR-PRJ-ARM-1000-CHR	Projector Outreach arm 1000mm (1 unit), Chrome

¹ Two Outreach Arms required per luminaire.

ACCESSORIES

ACC-ARIA-SPK-06	Aria Bird Spikes 600mm length (Black)
ACC-ARIA-SPK-12	Aria Bird Spikes 1,200mm length (Black)
ACC-ARIA-GSH-06	Aria Glare Shield 600mm length (Black)
ACC-ARIA-GSH-12	Aria Glare Shield 1,200mm length (Black)

CABLE EXTENSIONS



CBL-PRJ-CBLKIT-MADA-JK-IP68-0.6M	Aria Cable Kit Mains & Data – Joiner – IP68 – 0.6 Metre Kit Designed to Connect 1.2 Metre Units End-to-end
CBL-PRJ-CBLKIT-MADA-JK-IP68-2.5M	Aria Cable Kit Mains & Data – Joiner – IP68 – 2.5 Metre
CBL-PRJ-CBLKIT-MADA-JK-IP68-5M	Aria Cable Kit Mains & Data – Joiner – IP68 – 5 Metre
CBL-PRJ-CBLKIT-MADA-LK-IP68-0.2M	Aria Cable Kit Mains & Data Leader – IP68 – 250mm Data Leader Connector with Stripped Wires + 485mm Mains Leader Connector with Stripped Wires
CBL-PRJ-CBLKIT-MADA-TK-IP68	Mains & Data Termination Kit for Aria products (2 caps)