

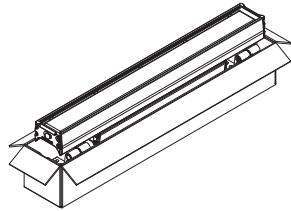


# ARIA RGBW INSTALLATION INSTRUCTIONS



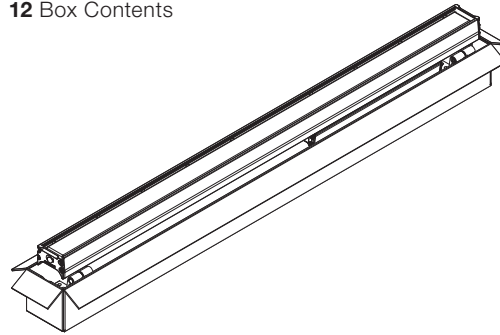
▪ INCLUDED

**06** Box Contents



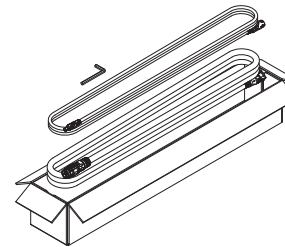
- 600mm Fitting
- Mounting Brackets (Integral)

**12** Box Contents



- 1,200mm Fitting
- Mounting Brackets (Integral)

+ Run Box



- Allen Key
- Cable Plastic Caps
- Cable Kits

**⚠ ATTENTION**

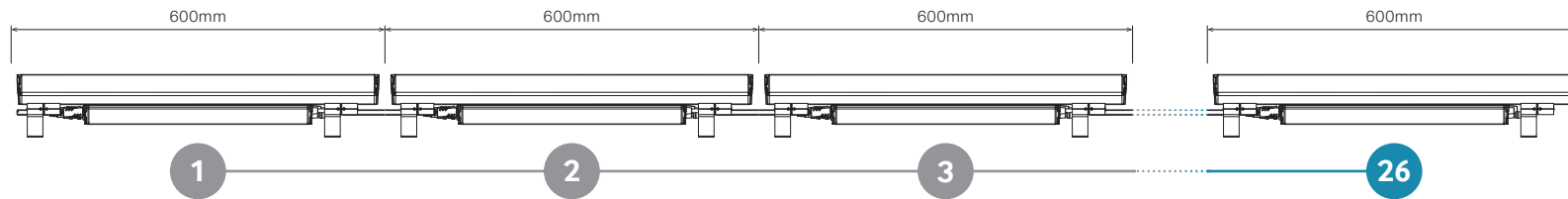
- Please observe / follow the instructions methodically.
- Please ensure the units are handled with extreme care.
- Do not remove product from packaging prematurely. Only remove from packaging when ready for installation.
- Failure to observe installation instructions and handling will void warranty of the product.
- Fittings must be installed by a licensed electrician.
- Before installing, make sure the power supply is switched off or mains cable is disconnected.
- Aria is designed for a wide range of applications, including those with low vibrations such as bridges and fixed metal structures. However, is not designed for heavy-duty environments with excessive vibration.

CONTENTS	LxWxH DIMENSIONS
1 x <b>06</b> Luminaire	582 x 191 x 121mm
1 x <b>12</b> Luminaire	1,162 x 191 x 121mm
Run Box	Varies depending on quantity

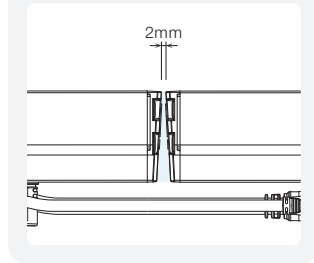
▪ INSTALLATION LIMITS @ 230VAC

**06 Version**

Maximum 26 x 600mm fittings per individual run.

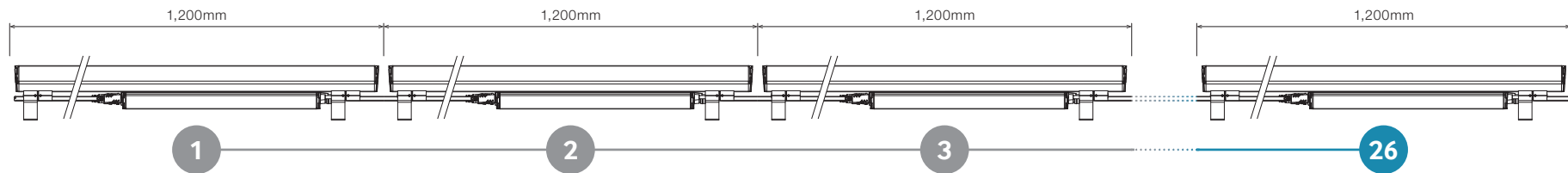


2mm distance between the ends of fittings to keep consistent LED pitch.



**12 Version**

Maximum 26 x 1,200mm fittings per individual run.



**06 + 12 Version**

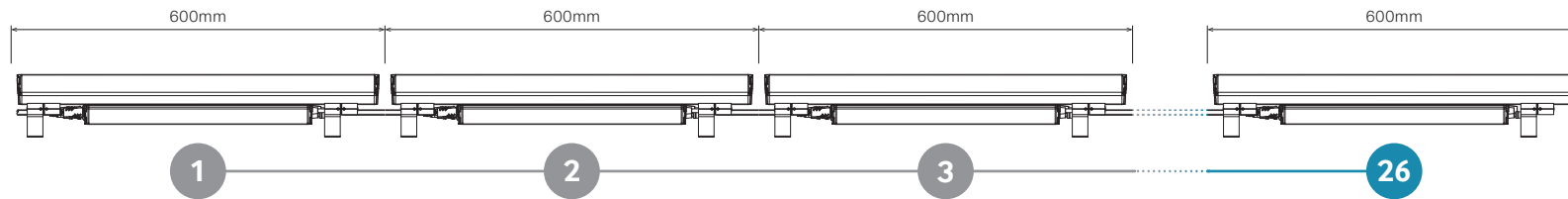
Installation limits when 600mm and 1,200mm units used in combination:

600mm Units	1	2	3	4	5	6	7	8	9	10	11	12	13	14	15	16	17	18	19	20	21	22	23	24	25	26
Max 1,200mm Units	25	24	23	22	21	20	19	18	17	16	15	14	13	12	11	10	9	8	7	6	5	4	3	2	1	0
1,200mm Units	1	2	3	4	5	6	7	8	9	10	11	12	13	14	15	16	17	18	19	20	21	22	23	24	25	26
Max 600mm Units	25	24	23	22	21	20	19	18	17	16	15	14	13	12	11	10	9	8	7	6	5	4	3	2	1	0

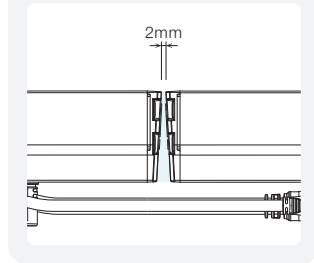
▪ INSTALLATION LIMITS @ 120VAC

**06 Version**

Maximum 26 x 600mm fittings per individual run.

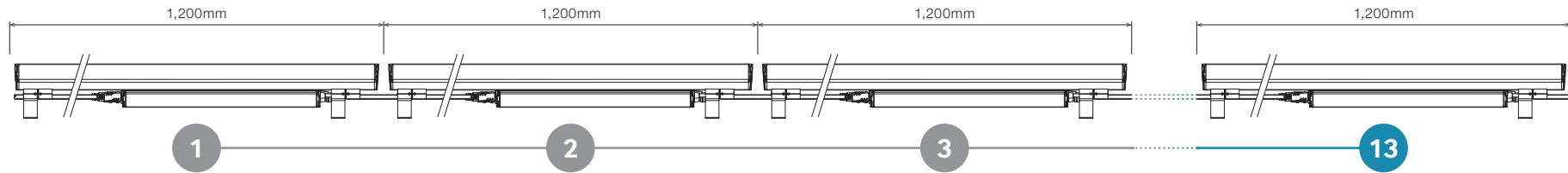


2mm distance between the ends of fittings to keep consistent LED pitch.



**12 Version**

Maximum 13 x 1,200mm fittings per individual run.



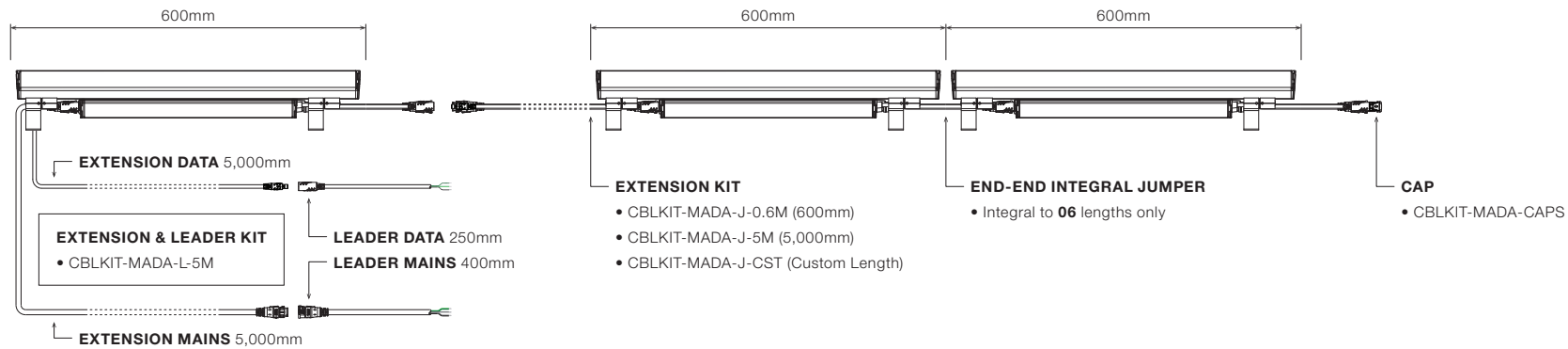
**06 + 12 Version**

Installation limits when 600mm and 1,200mm units used in combination:

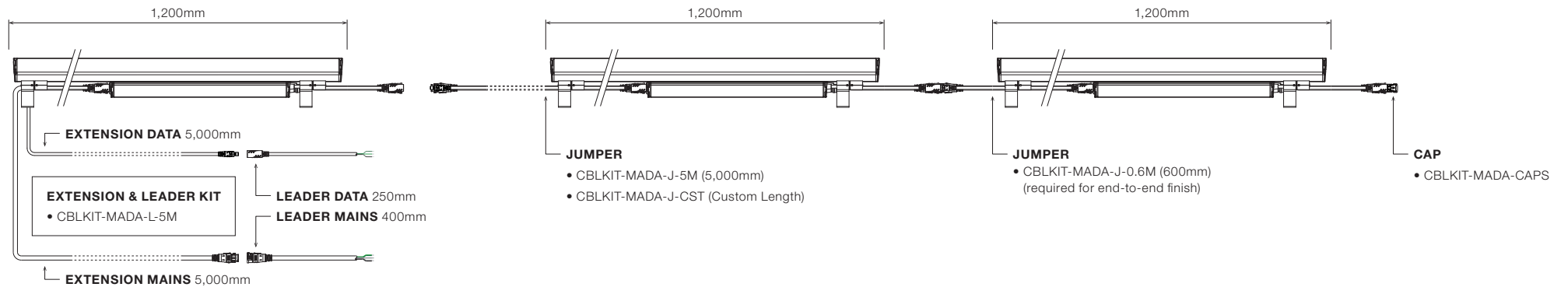
600mm Units	1	2	3	4	5	6	7	8	9	10	11	12	13	14	15	16	17	18	19	20	21	22	23	24	25	26
Max 1,200mm Units	12	12	11	11	10	10	9	9	8	8	7	7	6	6	5	5	4	4	3	3	2	2	1	1	0	0
1,200mm Units	1	2	3	4	5	6	7	8	9	10	11	12	13													
Max 600mm Units	24	22	20	18	16	14	12	10	8	6	4	2	0													

■ WIRING CONFIGURATION

06 Version



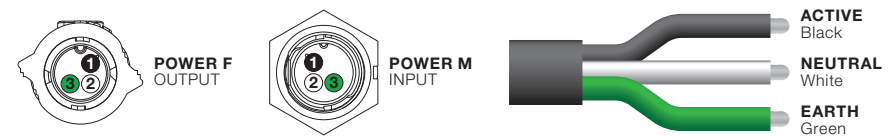
12 Version

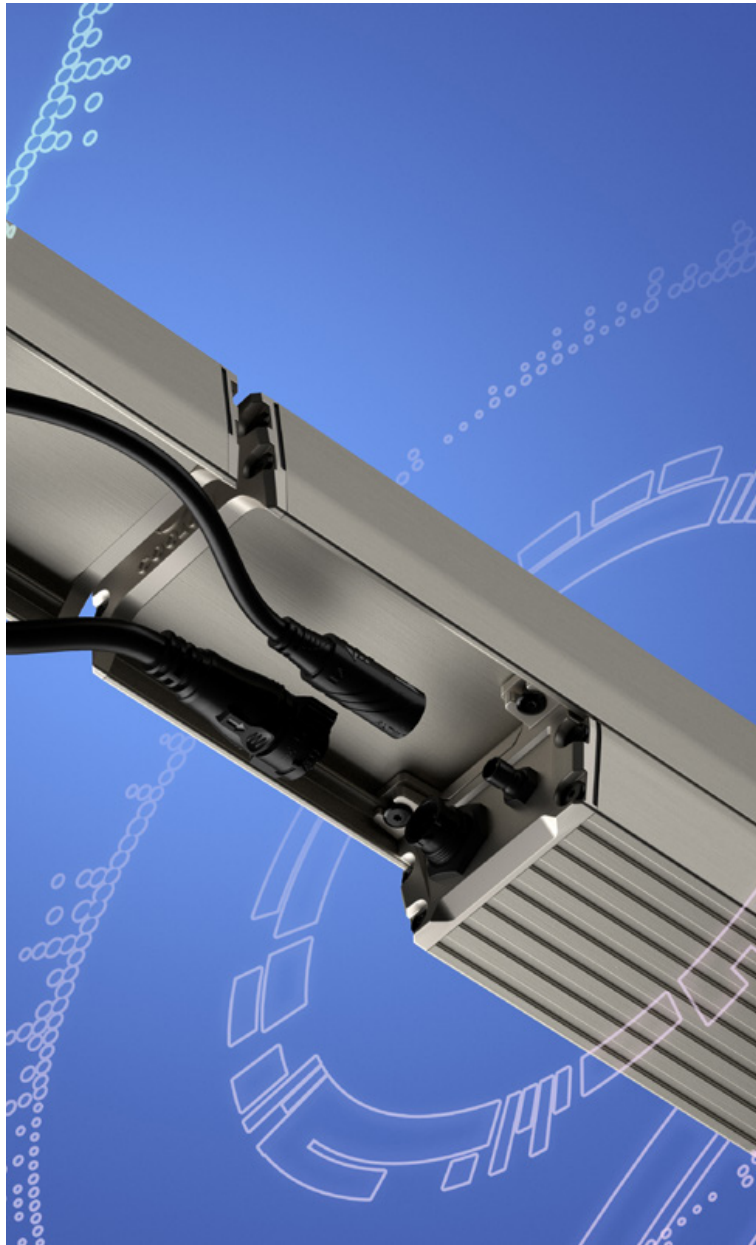


DATA Pinouts



MAINS Pinouts



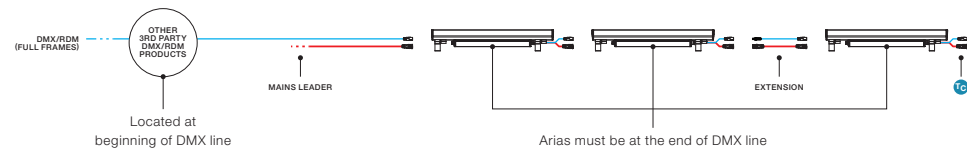


## ■ WIRING DIAGRAMS

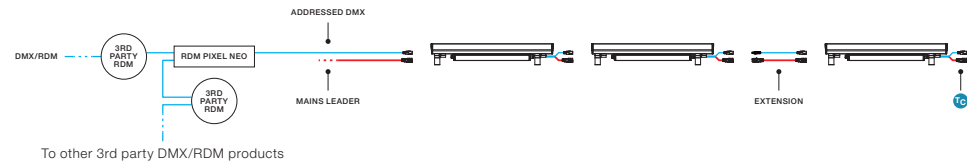
### ARIA STANDALONE INSTALLATION



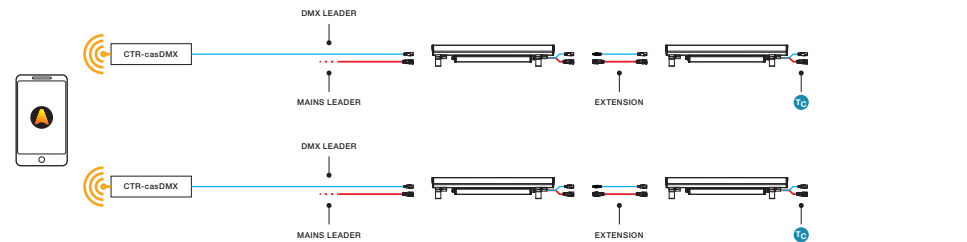
### ARIA IN MIXED INSTALLATIONS Option 1 Self Addressing



### ARIA IN MIXED INSTALLATIONS Option 2 RDM



### ARIA WITH CASAMBI CONTROL



<sup>1</sup> Up to 2 Aria luminaires per casDMX

<sup>2</sup> Please refer to casDMX documentation for reference

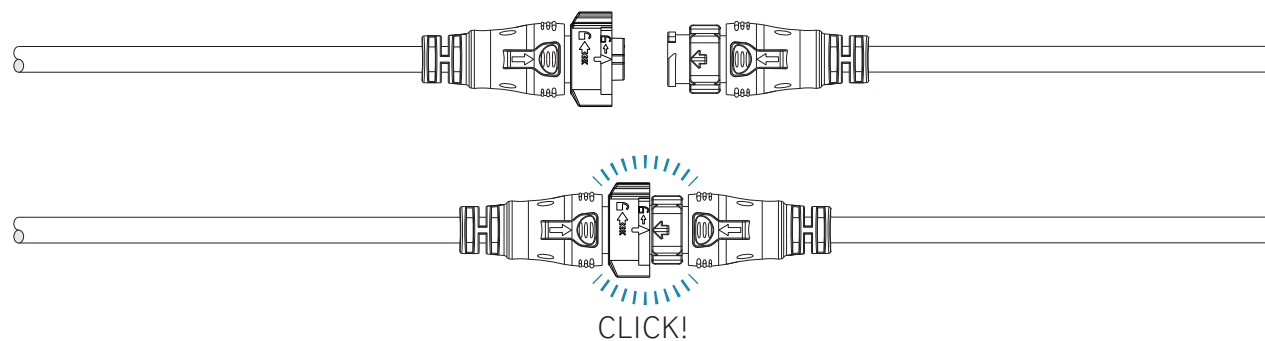
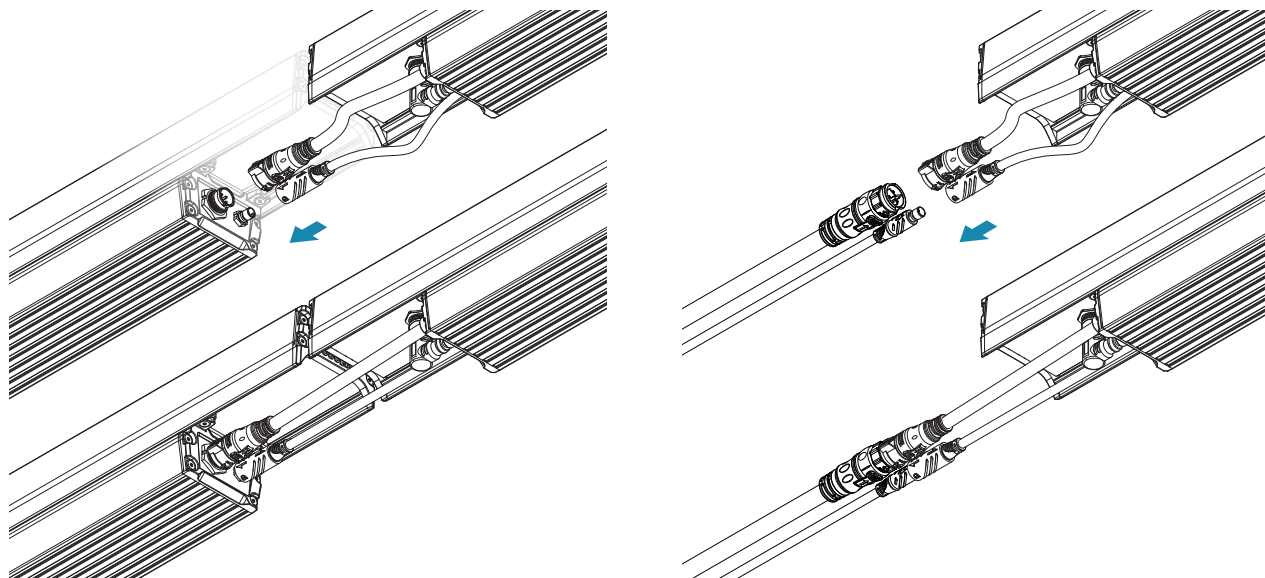


## CONNECTION

Before installation begins, please ensure that you understand the fitting layout as per luminaire schedule

Consider both fitting lengths 600mm and 1,200mm.

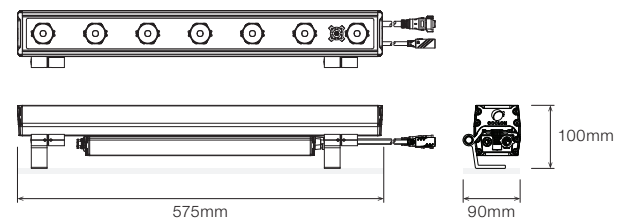
Ensure you have enough extensions and required extra links for 1,200mm luminaires as well as leader cables and caps.



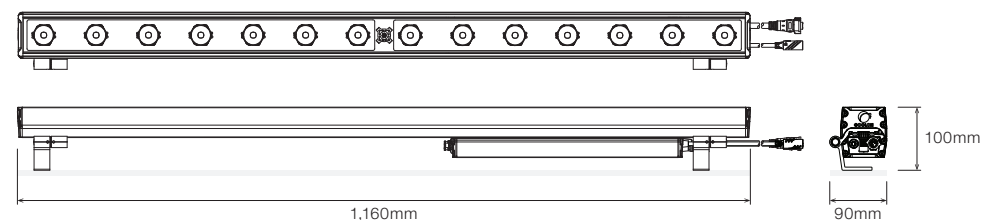


▪ DIMENSIONS

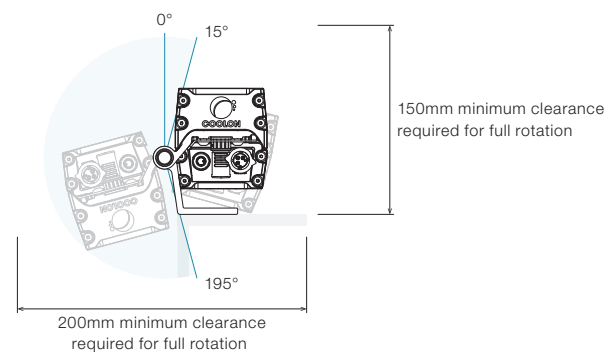
06 Version



12 Version



▪ ROTATION WITH MOUNTING BRACKETS

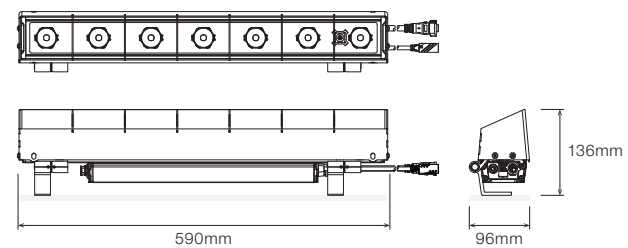




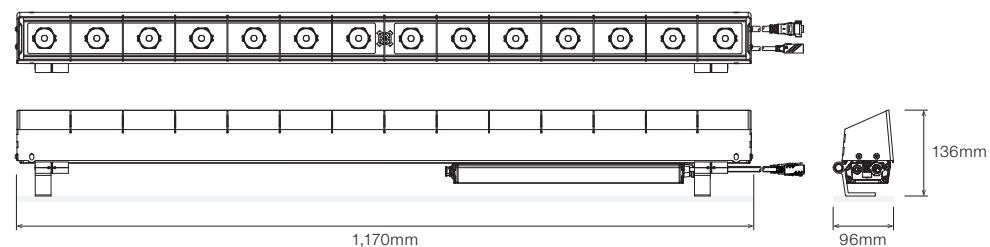


▪ DIMENSIONS WITH GLARE SHIELD

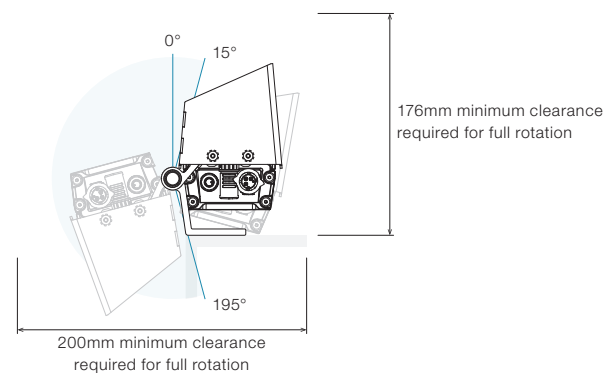
06 Version



12 Version



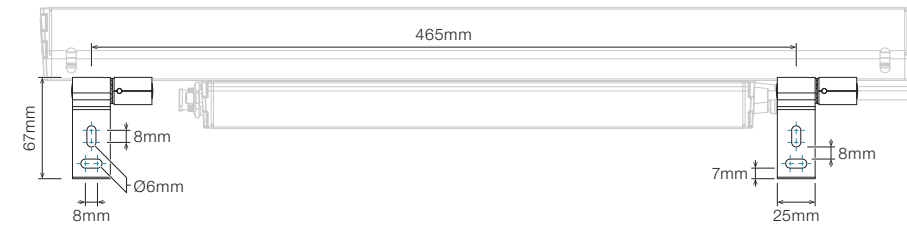
▪ ROTATION WITH MOUNTING BRACKETS + GLARE SHIELD



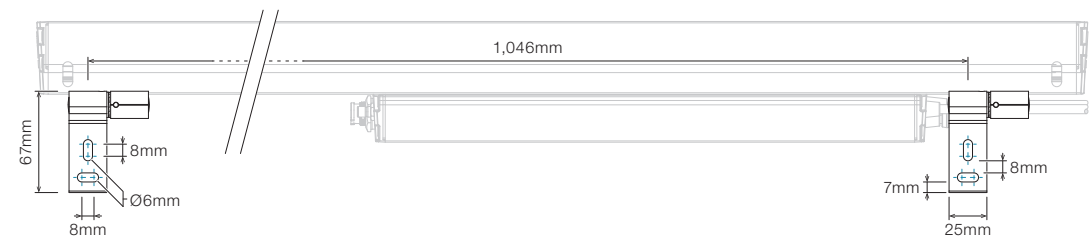


▪ MOUNTING FOOTPRINTS

06 Version



12 Version



**MINIMUM RECOMMENDED FASTENERS PER LUMINAIRE:**  
4 x M5 bolts for single luminaires

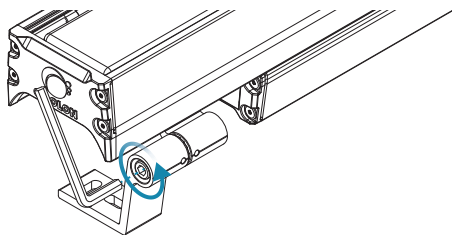
**MOUNTING BRACKET MATERIAL:**  
Aluminium

**APPLICATION:**  
Low vibration

## ADJUSTING THE MOUNTING BRACKET

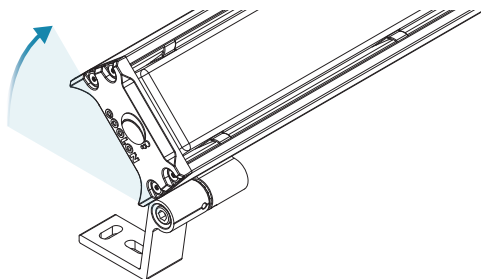
### STEP 1

Loosen **Screws A** and **B** counter clockwise to allow for rotation of the luminaire.



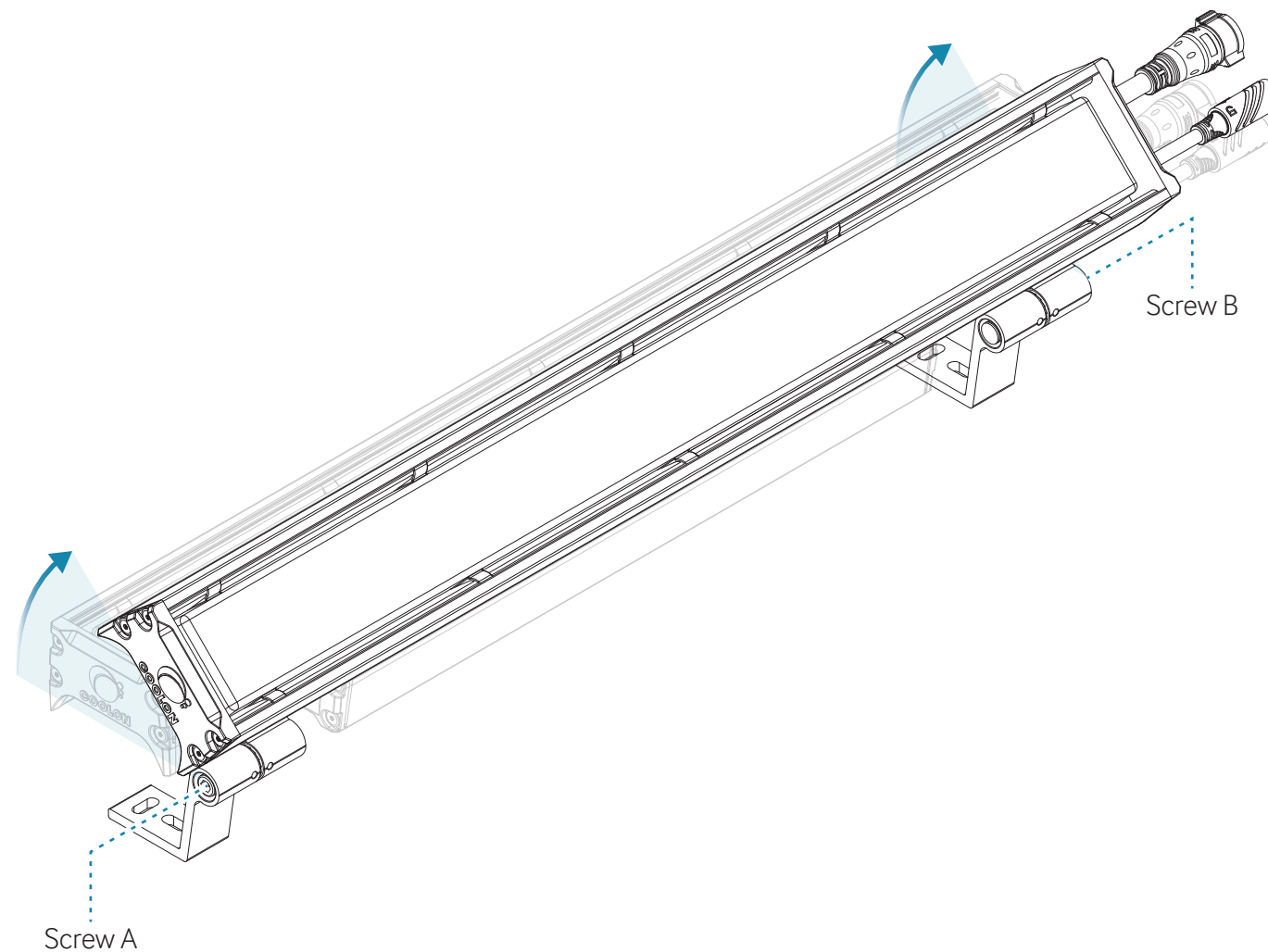
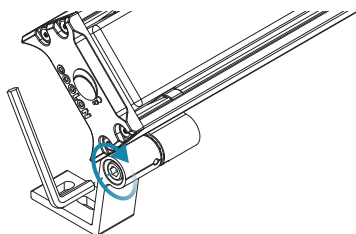
### STEP 2

Rotate the luminaire to your desired angle.



### STEP 3

Tighten **Screws A** and **B** clockwise to lock into position (9Nm).



## LUMINAIRE SAFETY LANYARD PROVISIONS

Please utilize provisioned apertures if safety lanyards are required in the installation.

