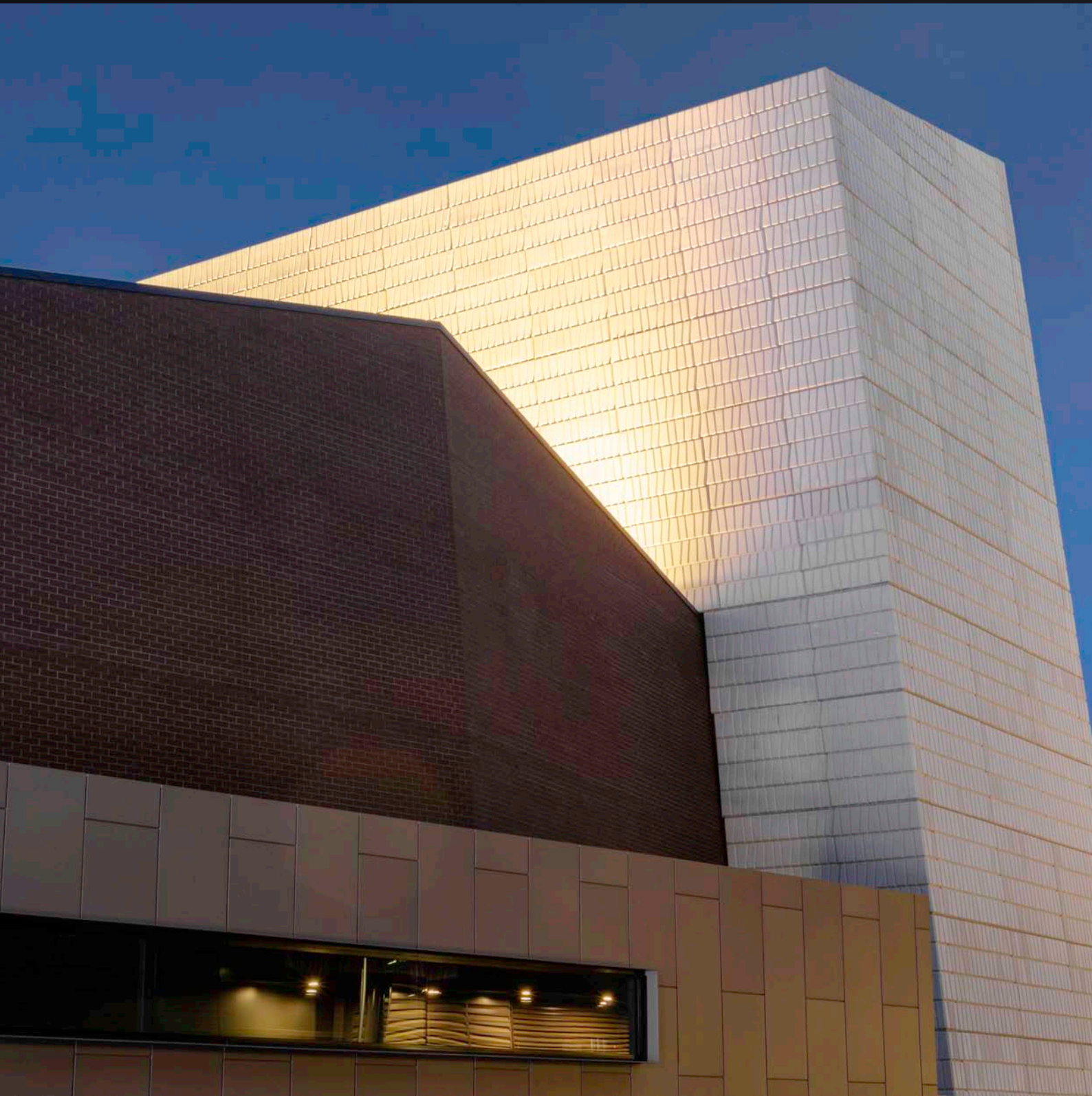




ARIA X

AC FLOODLIGHT FLD-ARIA X





Aria X is a high power AC floodlight luminaire, specifically designed for creative wall washing and grazing applications. Powerful, robust and available in multiple length options which allow for greater design flexibility. The luminaire features an integral power supply and DALI / 0–10V driver.

POWER (AC)

LUMINOUS FLUX

46W

46W / 600mm unit



2,649 – 3,504 lm

92W

92W / 2x 600mm unit



5,297 – 7,007 lm

138W

138W / 3x 600mm unit



7,946 – 1,0511 lm

COLOUR TEMPERATURE

2700K

3000K

4000K

POLYURETHANE ENCAPSULATION

Aria X utilises Coolon's encapsulation technology to deliver a truly extraordinary outdoor luminaire. IP66 and IK08, shock and abrasion resistance, thermal protection and reliability are all ensured.

STREAMLINED TOPOLOGY

Aria X is truly plug and play - your luminaires arrive to site ready to perform, simplifying lighting design, electrical layout and installation.

Aria X's design allows a system to be connected via integral all-in-one cables without further accessories and junction boxes.

Unpack. Connect. Enjoy.
Installation has never been simpler.

L90

LONG OPERATING LIFE

Coolon products use the world's most reputable LED manufacturers and the latest available standards to adequately report lumen maintenance. We strive to drive LEDs under their nominal current and use state-of-the-art heat dissipation methods, leading to durable electronics.



VARIOUS CCT & COLOUR BINNING CONSISTENCY

All products are offered in various colour temperatures, and manufactured using tighter bins, ensuring excellent consistency and uniformity.

5 YEARS

5 YEARS WARRANTY

Coolon luminaires are covered by a solid comprehensive manufacturer's warranty that covers a range of possible defects and performance parameters throughout the duration of the warranty period.



PROUDLY MADE IN AUSTRALIA

Our products are designed and manufactured in Australia. Engineered to perfection, using only the highest quality components and highly skilled labour, each luminaire is assembled and thoroughly tested to ensure that it exceeds the highest standards.

TECHNICAL SPECIFICATIONS

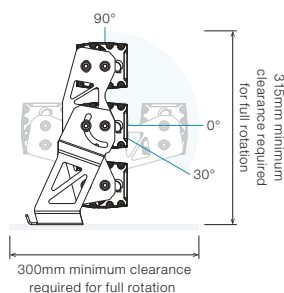
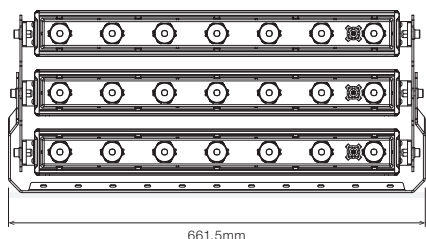
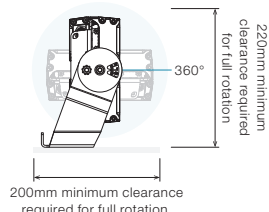
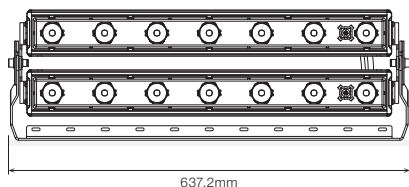
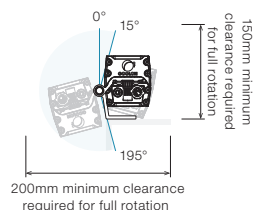
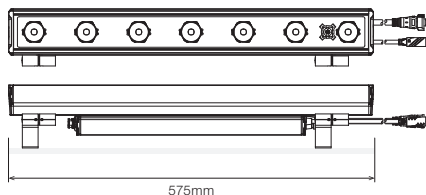
Product Code	FLD-ARIA X SW		
Nominal Power	46W	92W	138W
Body	Aluminium Alloy Body		
Finish	Brushed Natural Anodised, Brushed Black Anodised		
Cover	Polyurethane		
Endcaps	Powdercoated Die-cast Aluminium		
Cables	Standard or Low Smoke Zero Halogen (LSZH) – On Request		
Weight	4.2kg	11.0kg	16.0kg
LEDs per Luminaire	7 clusters of 4 Nichia E17 (24 pieces per luminaire)		
Input Voltage	120 – 250VAC		
Input Frequency Range	50 - 60Hz		
Power Factor (PF)	> 0.9 (At full Power)		
Max. Inrush Current	< 200mA ² s @ 120V / 60Hz < 200mA ² s @ 230V / 50Hz < 200mA ² s @ 277V / 60Hz		
Leakage Current	< 100 µA		
Total Harmonics Distortion (THD)	< 2% (At full Power)		
Max. Input Power	50W	100W	150W
Max. Continuous Connection Length	Up to 40 Units @ 230VAC Up to 20 Units @ 120VAC	Up to 20 Units @ 230VAC Up to 10 Units @ 120VAC	Up to 13 units @ 230VAC Up to 6 Units @ 120VAC
Dimming / Control	Through DALI-2 Device Type 6 / 0–10V		
External Heatsink Required	No, Natural Convection Cooling		
Ambient Operating Temperature	Ta -40°C to 50°C		
Reported Lumen Maintenance TM21-11 (@ Ts = 85°C, If = 700mA)	NCSLE17A L90 (10K) = 32,200 hours L70 (10K) > 60,000 hours		
	Aria X SW Max. operating values (@ Ts = 70°C, If = 680mA)		
Presumption of Life Time (IEC 62717-11)	L90B10 = 82,274 hours L70B10 = 340,654 hours		
IP Rating	IP66 (Standard)		
IK Rating	IK08 (Standard) - Not including Wiring / Connectors		

LUMEN OUTPUT

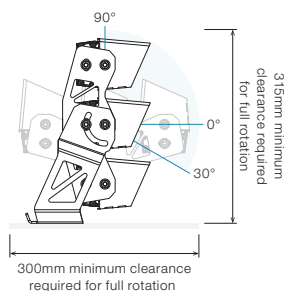
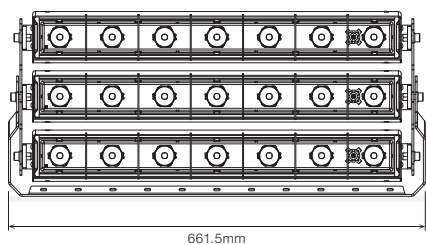
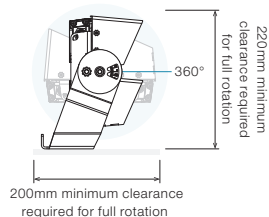
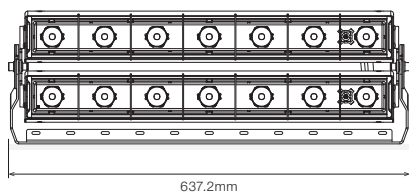
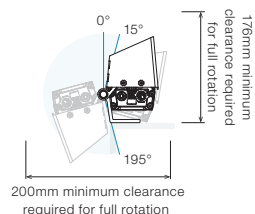
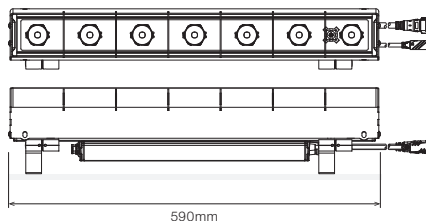
		20D	30D	52D	O3215D	O6010D	RO3215D	RO6010D
ARIA X SW 46W	2700K	3,245 lm	3,050 lm	3,101 lm	3,061 lm	2,649 lm	3,061 lm	2,649 lm
	3000K	3,370 lm	3,200 lm	3,220 lm	3,179 lm	2,751 lm	3,179 lm	2,751 lm
	4000K	3,504 lm	3,455 lm	3,477 lm	3,432 lm	2,970 lm	3,432 lm	2,970 lm
ARIA X SW 92W	2700K	6,490 lm	6,100 lm	6,202 lm	6,122 lm	5,297 lm	6,122 lm	5,297 lm
	3000K	6,740 lm	6,400 lm	6,441 lm	6,358 lm	5,502 lm	6,358 lm	5,502 lm
	4000K	7,007 lm	6,910 lm	6,954 lm	6,865 lm	5,940 lm	6,865 lm	5,940 lm
ARIA X SW 138W	2700K	9,735 lm	9,150 lm	9,302 lm	9,183 lm	7,946 lm	9,183 lm	7,946 lm
	3000K	10,111 lm	9,600 lm	9,661 lm	9,537 lm	8,252 lm	9,537 lm	8,252 lm
	4000K	10,511 lm	10,365 lm	10,431 lm	10,297 lm	8,910 lm	10,297 lm	8,910 lm

■ DIMENSIONS

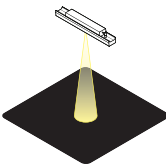
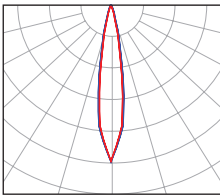
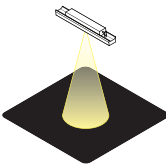
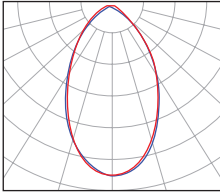
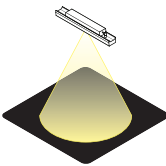
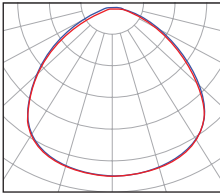
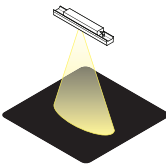
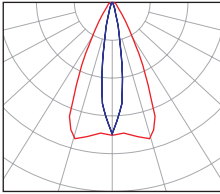
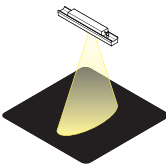
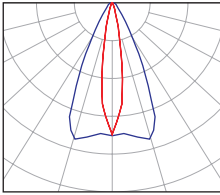
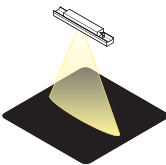
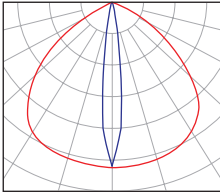
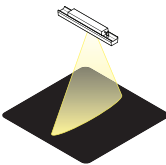
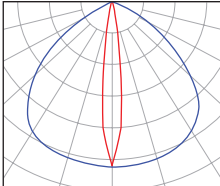
WITH ROTATING BRACKET



WITH ROTATING BRACKET AND GLARE SHIELD

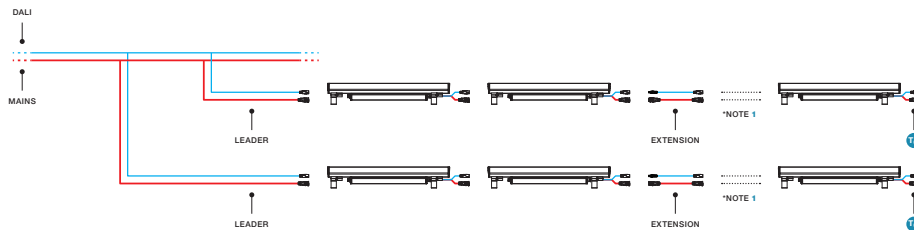


■ POLAR DISTRIBUTION

OPTIC		POLAR DISTRIBUTION
<p>20D Narrow Beam 20° Beam Angle</p>		
<p>30D Medium Beam 30° Beam Angle</p>		
<p>52D Wide Beam 52° Beam Angle</p>		
<p>O3215D Oval Beam Oval 32° x 15° Beam Angle</p>		
<p>RO3215D Oval Rotated Beam Oval 15° x 32° Beam Angle</p>		
<p>O6015D Oval Beam Oval 60° x 15° Beam Angle</p>		
<p>RO6015D Oval Rotated Beam Oval 15° x 60° Beam Angle</p>		

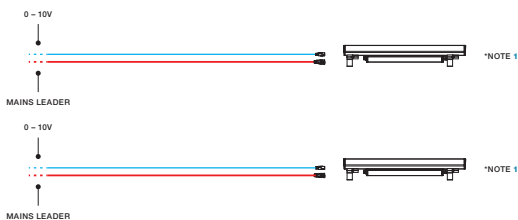
WIRING DIAGRAMS

DALI INSTALLATION



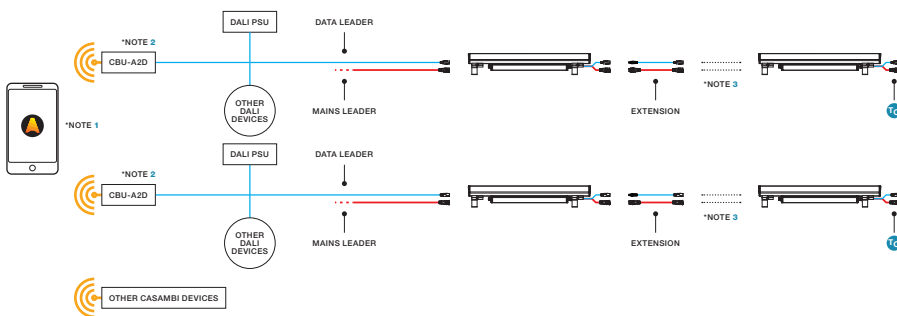
* Control limits defined by the DALI system

0-10V INSTALLATION



* Single luminaire control

CASAMBI INSTALLATION



* Please refer to Casambi's documentation about system limits and range
 * Please refer to CBU-A2D documentation for reference
 * Control limits defined by the DALI system



CONNECTOR PIN-OUTS



Power Output (Female)



Power Input (Male)

- 1 Active
- 2 Neutral
- 3 Earth

DIMMING CONTROL

DALI Single White



Control Output (Female)



Control Input (Male)

- 1 DALI (+)
- 2 DALI (-)
- 3 NC

DIMMING CONTROL

0 - 10V Single White



Control Input (Male)

- 1 0-10V (+)
- 2 0-10V (-)
- 3 NC

- PROFILE COLOUR

BNA - Brushed Natural Anodised**BLK** - Brushed Black Anodised

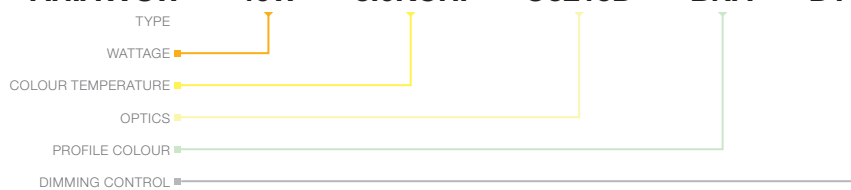
- IP RATING

IP66

Fully protected against dust.
Protected against wave-like
water jets from all directions.

ORDERING EXAMPLE

FLD - ARIA X SW - 46W - 3.0KCRI - O3215D - BNA - DT6SW



■ **WATTAGE**

46W	Single Luminaire
92W	Twin Luminaire
138W	Triple Luminaire

■ **COLOUR TEMPERATURE**

2.7KCRI	2700K
3.0KCRI	3000K
4.0KCRI	4000K

■ **OPTICS**

20D	20° Beam
30D	30° Beam
52D	52° Beam
O3215D	Oval 32° x 15° Beam
RO3215D	Oval 15° x 32° Beam Rotated 90°
O6015D	Oval 60° x 15° Beam
RO6015D	Oval 15° x 60° Beam Rotated 90°

■ **PROFILE COLOUR**

BNA	Brushed Natural Anodised
BLK	Brushed Black Anodised

■ **DIMMING CONTROL**

010	0 – 10V Single White
DT6SW	DALI Single White
010_CB	0 – 10V Single White ¹
DT6SW_CB	DALI Single White ¹
CAS-CBU-A2D	Casambi control through CBU-A2D

¹ CB Certification

■ ACCESSORIES

PRODUCT CODE	DESCRIPTION
ACC-ARIA-SPK-06	Bird Spikes 600mm length
ACC-ARIA-GSH-06	Glare Shield 600mm length
ACC-ARIA-CBP-140	Cable Protection to 2x600mm unit

ACC-ARIA-GSH-06 - Glare Shield 600mm length



ACC-ARIA-CBP-140 - Cable Protection to 2x600mm unit



CABLE EXTENSIONS



CBL-PRJ-CBLKIT-MADA-LK-IP68-5M	Cable Kit Mains & Data – Extension – IP68 – Leader + 5M Extension
CBL-PRJ-CBLKIT-MADA-JK-IP68-5M	Cable Kit Mains & Data – Joiner – IP68 – 5 Metre
CBL-PRJ-CBLKIT-MADA-JK-IP68-0.6M	Cable Kit Mains & Data – Joiner – IP68 – 0.6 Metre Kit Designed for connection of 1,200mm units end-to-end
CBL-PRJ-CBLKIT-MADA-TK-IP68	Termination Kit Mains & Data – 2 CAPS

CONTROLS



CAS-CBU-A2D	Casambi Bluetooth Controllable 2 Channel 0–10V / DALI Controller
-------------	--