



LATITUDE

RGBW LINEAR HIGH POWER PRJ-LAT RGBW

EOL





Latitude is a high power linear RGBW luminaire, specifically designed for creative wall washing and grazing applications.

With unparalleled colour quality and collimation, Latitude is ideal for flooding spaces with coloured light. Its compact size and multiple length options allow for considerable design flexibility.

POWER (DC)**60W**

60W / metre

LUMINOUS FLUX**SD** • Varies with colour combination

RGBW FULL COLOUR





INTELLIGENT POWER BALANCE

Intelligent Power Balance allows the Latitude luminaire to distribute power and intensity to where it is most required. The DC fitting is designed to dissipate a maximum of 60W per metre, whilst at the same time allowing the user to extract the most out of each colour channel if required.



HIGHLY CONFIGURABLE

Latitude can be configured in multiple ways to fit any project for both interior and exterior applications.



LONG OPERATING LIFE

Coolon products use the world's most reputable LED manufacturers and the latest available standards to adequately report lumen maintenance. We strive to drive LEDs under their nominal current and use state-of-the-art heat dissipation methods, leading to durable electronics.



ADVANCED QUAD CHIP LEDs

Multi-colour LED that provides high lumen output in a small package. A small optical source for excellent optical control and efficient colour mixing can reduce LED system complexity by reducing the number of components required.



5 YEARS WARRANTY

Coolon luminaires are covered by a solid comprehensive manufacturer's warranty that covers a range of possible defects and performance parameters throughout the duration of the warranty period.



PROUDLY MADE IN AUSTRALIA

Our products are designed and manufactured in Australia. Engineered to perfection, using only the highest quality components and highly skilled labour, each luminaire is assembled and thoroughly tested to ensure that it exceeds the highest standards.

■ TECHNICAL SPECIFICATIONS

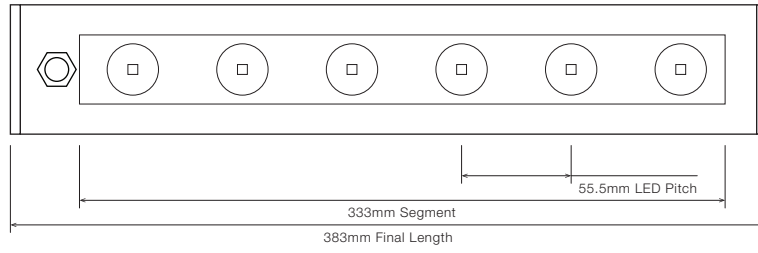
Product Code	PRJ-LAT
Description	Latitude RGBW Linear High Power Projector
Body	Aluminium Alloy Body
Finish	Powder Coated Black (Standard), Various Colours Available
Cover	Polycarbonate Diffused for Indoor applications
End Caps	Polycarbonate
LEDs per Segment / Pixel	6
Segment / Pixel Size	330mm
LED	Cree XMLC RGBW, White Chip CRI 80
Operating Voltage	24VDC
Max. Power Consumption	60W per Metre
Max. Continuous Connection Length	Please refer to installation limitations
Dimming / Control	Through DRV-RDM-P4 and DRV-RDM-IP-P4
External Heatsink Required	No
Ambient Operating Temperature	Ta -10°C to 40°C
Thermal Management	Yes (Active)
Reported Lumen Maintenance TM21-11 (@ Ts = 85°C, If = 1000mA)	Cree XMLC - L70 (12K) > 53,800 hours ¹ Latitude max. operating values (@ Ts = 80°C, If = 500mA)
IP Rating	IP40 (Standard)

¹ Extrapolation based on LED manufacturer TM-21 lifetimes. Subject to change without notice.

² Please refer to product brochure documentation for specific details not shown in this document.

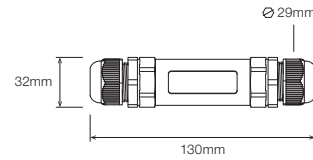
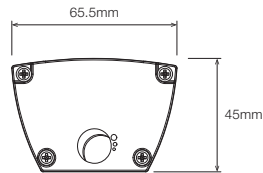
■ DIMENSIONS

For final strip lengths please refer to the "Product Length" table.

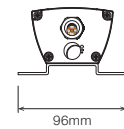


DC

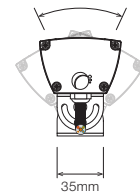
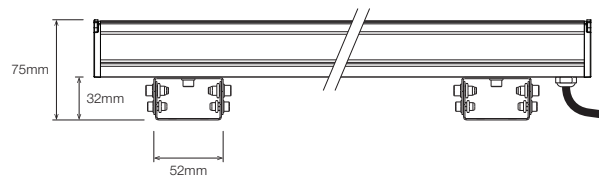
CABLE EXTENSION JOINER



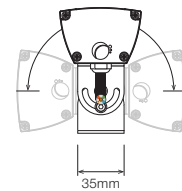
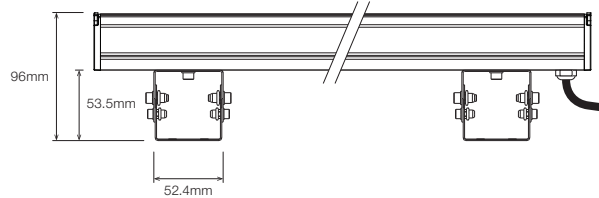
FLAT MOUNTING BRACKET



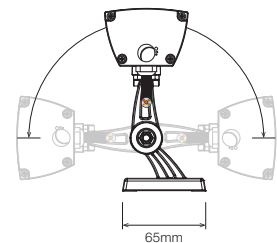
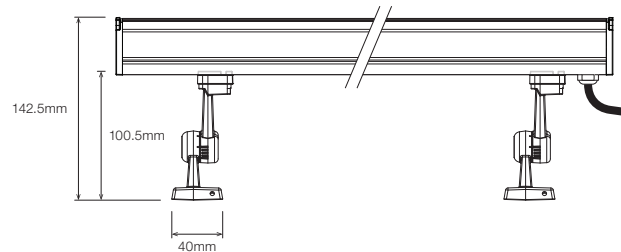
25° ROTATING MOUNTING BRACKET



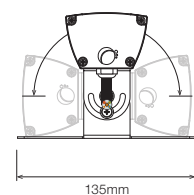
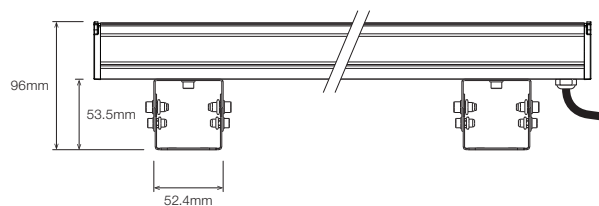
90° ROTATING MOUNTING BRACKET






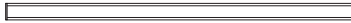


ARCHITECTURAL SWIVEL BRACKET



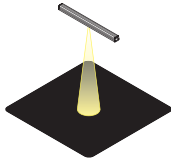
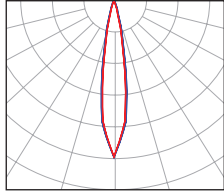
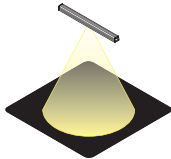
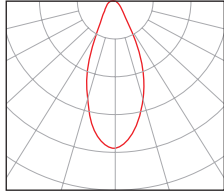
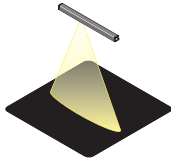
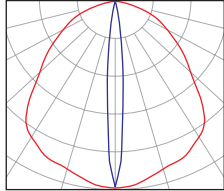
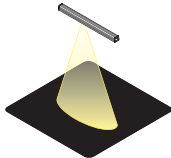
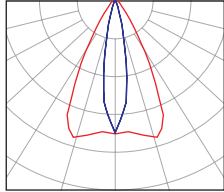
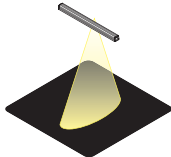
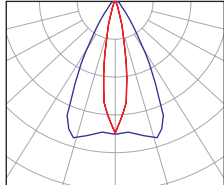
FLAT ROTATING MOUNTING BRACKET 90°



▪ PRODUCT LENGTH (DC)

	WIRE FROM ONE SIDE	WIRE FROM BOTH SIDE	
S1	383mm	403mm	
S2	716mm	736mm	
S3	1,049mm	1,069mm	
S4	1,382mm	1,402mm	
S5	1,715mm	1,735mm	
S6	2,048mm	N/A	

▪ POLAR DISTRIBUTION

OPTIC		POLAR DISTRIBUTION
14D Narrow Beam 14° Beam Angle		
50D Wide Beam 50° Beam Angle		
F10020D Flare Beam Flare 100° x 20° Beam Angle		
O4018D Oval Beam Oval 40° x 18° Beam Angle		
R4018D Oval Rotated Beam Oval 18° x 40° Beam Angle * On request only		

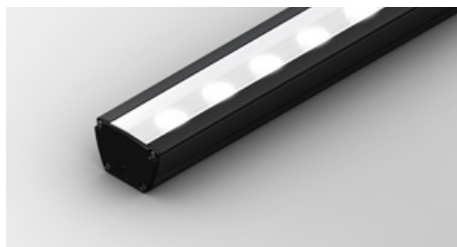
▪ DIFFUSER

SD · Standard Diffused

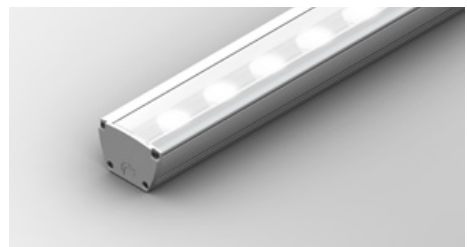


▪ PROFILE COLOUR

BLK · Black



WHT · White



CST · Custom Colour ¹



¹ Custom colours available on request

WIRING CONFIGURATION

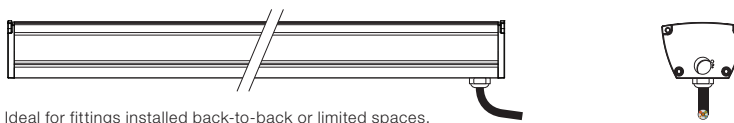
CONNECTOR TYPE	DRAWING	MALE	FEMALE
WR5OS Wire 5 Core One Side			
OC6MO Outdoor Connector 6 pin Male Only			
OC6MF Outdoor Connector 6 pin Male + Female			

- Typical wiring length 1,000 mm with cable's outer diameter 7.5mm.
- Please consult Coolon for details on extension cables between LED fittings, drivers and PSUs.

WIRING COLOUR CODE (DC)	
Black	+ VDC
Red	- RED
Green	- GREEN
Blue	- BLUE
White	- WHITE

WIRING POSITION

WB - Wire from back



Ideal for fittings installed back-to-back or limited spaces.

WS - Wire from Side



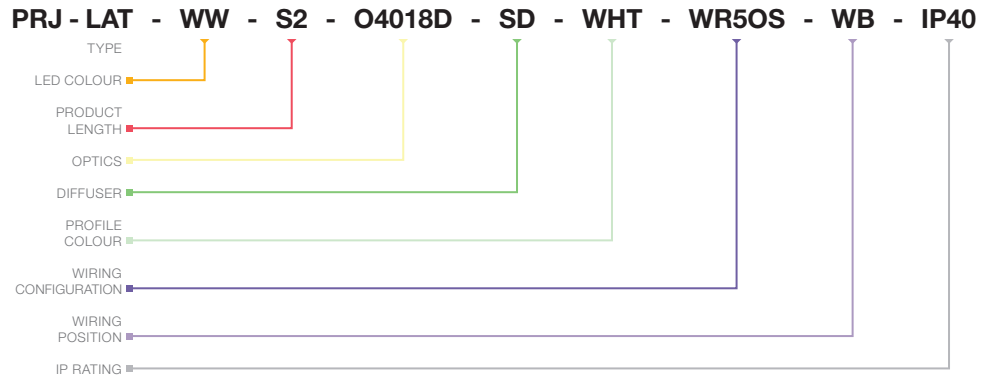
Ideal for fittings installed individually or vertically.

IP RATING

IP40

Protected against solid objects greater than 1mm. No protection against liquids.

ORDERING EXAMPLE



LED COLOUR

WW	RGB + Warm White
CW	RGB + Cool White

PRODUCT LENGTH

S1	383mm
S2	716mm
S3	1,049mm
S4	1,382mm
S5	1,715mm
S6	2,048mm

OPTICS

14D	14° Beam
50D	50° Beam
F10020D	Flare 100° x 20° Beam
O4018D	Oval 40° x 18° Beam
R4018D	Oval 18° x 40° Beam

DIFFUSER

SD	Standard Diffused
----	-------------------

PROFILE COLOUR

BLK	Black (Standard)
WHT	White
CST	Custom Colour ¹

WIRING CONFIGURATION

WR5OS	Wire 5 Core One Side
OC6MO	Outdoor Connector 6 pin Male Only
OC6MF	Outdoor Connector 6 pin Male + Female

WIRING POSITION




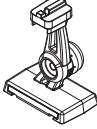
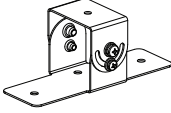
WB	Wire from Back
WS	Wire from Side

IP RATING

IP40	Indoor Use
------	------------

¹ Custom colours available on request

■ ACCESSORIES


	PRODUCT CODE	DESCRIPTION
MOUNTING BRACKET [†]		
	MBR-PRJ-FLAT-BLK	Flat Mounting Bracket - Black
	MBR-PRJ-ST25-BLK	25 Degree Rotating Mounting Bracket - Black
	MBR-PRJ-ST25-WHT	25 Degree Rotating Mounting Bracket - White
	MBR-PRJ-ST90-BLK	90 Degree Rotating Mounting Bracket - Black
	MBR-PRJ-ST90-WHT	90 Degree Rotating Mounting Bracket - White
	MBR-PRJ-ARCH-BLK	Architectural Swivel Bracket - Black
	MBR-PRJ-ARCH-WHT	Architectural Swivel Bracket - White
	MBR-PRJ-FL90-BLK	Flat 90 Degree Rotating Mounting Bracket - Black
	MBR-PRJ-FL90-WHT	Flat 90 Degree Rotating Mounting Bracket - White
	MBR-PRJ-FL90-SS	Flat 90 Degree Rotating Mounting Bracket - Stainless Steel

[†] Recommended spacing between Mounting Brackets is maximum 500mm unless otherwise specified.


DRIVER (DC)

	DRV-RDM-P4	DMX / RDM 4 Channel LED Driver
---	------------	--------------------------------

POWER SUPPLY

	PWR-HLG-60H-24AU	Mean Well Power Supply HLG 60W 24V IP67
	PWR-HLG-150H-24AU	Mean Well Power Supply HLG 150W 24V IP67
	PWR-HLG-240H-24AU	Mean Well Power Supply HLG 240W 24V IP67
	PWR-HLG-320H-24AU	Mean Well Power Supply HLG 320W 24V IP67

CABLE EXTENSION

	CBLEXT-PRJ-WR5-IP65-3M	3m Length, 5 Core Cable Extension with outdoor joiner
	CBLEXT-PRJ-WR5-IP65-5M	5m Length, 5 Core Cable Extension with outdoor joiner
	CBLEXT-PRJ-WR5-IP65-10M	10m Length, 5 Core Cable Extension with outdoor joiner
	CBLEXT-PRJ-WR5-IP65-20M	20m Length, 5 Core Cable Extension with outdoor joiner
	CBLEXT-PRJ-OC6F-IP65-1M	1m Length, 6 Core Leader Cable with outdoor female connector and lose wires
	CBLEXT-PRJ-OC6F-IP65-5M	5m Length, 6 Core Leader Cable with outdoor connector and lose wires
	CBLEXT-PRJ-OC6F-IP65-10M	10m Length, 6 Core Leader Cable with outdoor connector and lose wires