

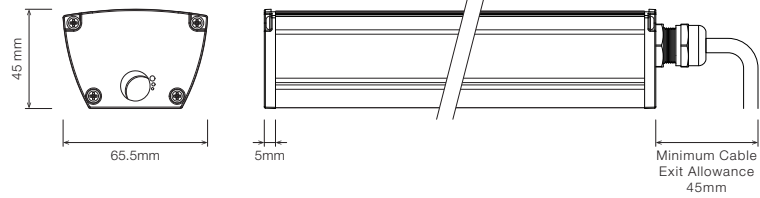


LATITUDE INSTALLATION INSTRUCTIONS

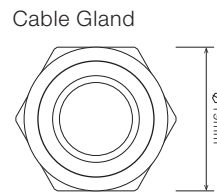
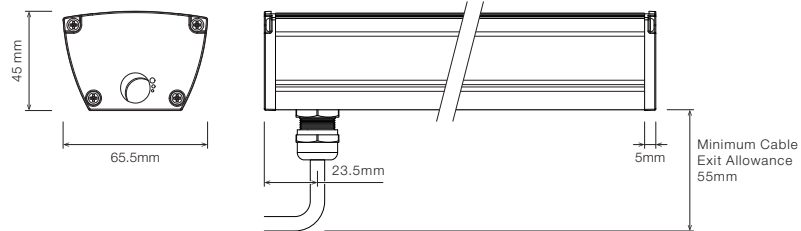


PROFILE DIMENSIONS

Wire from side



Wire from back

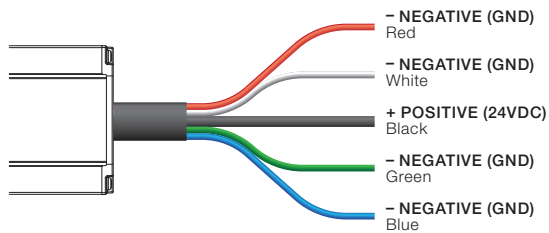


⚠ ATTENTION

- Please observe / follow the instructions methodically.
- Please ensure the units are handled with extreme care.
- Do not remove LED strips from packaging prematurely. Only remove from packaging when ready for installation.
- Failure to observe installation instructions and handling will void warranty of the product.
- Fittings must be installed by a licensed electrician.
- Before installing, make sure the power supply is switched off.

WIRING OPTIONS

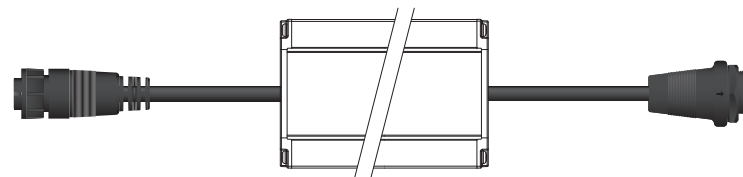
WR5OS – Wire 5 Core One Side



OC6MO – Outdoor Connector 6 pin Male Only



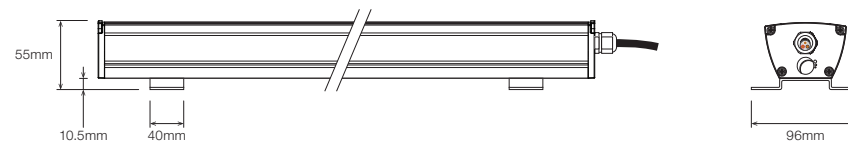
OC6MF – Outdoor Connector 6 pin Both Sides



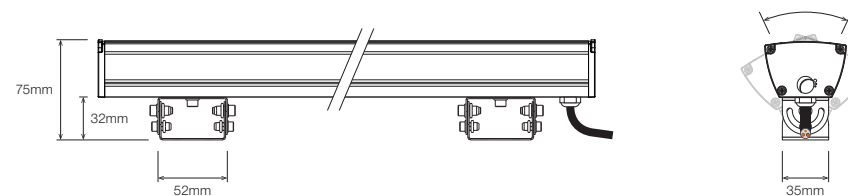


▪ MOUNTING BRACKETS

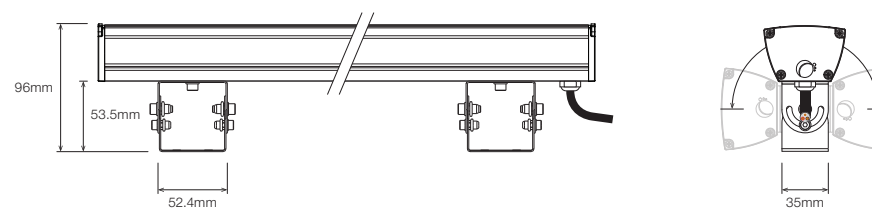
Flat Mounting Bracket



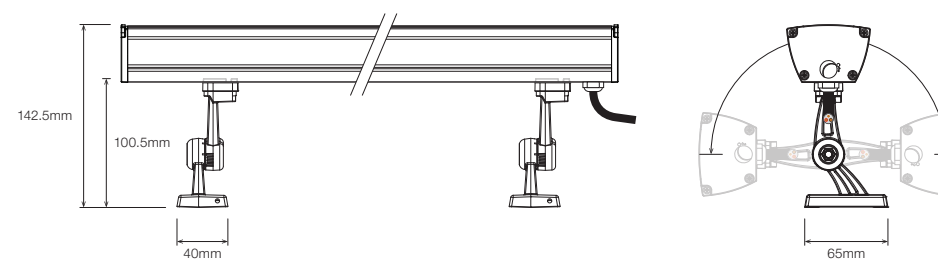
25° Rotating Mounting Bracket



90° Rotating Mounting Bracket



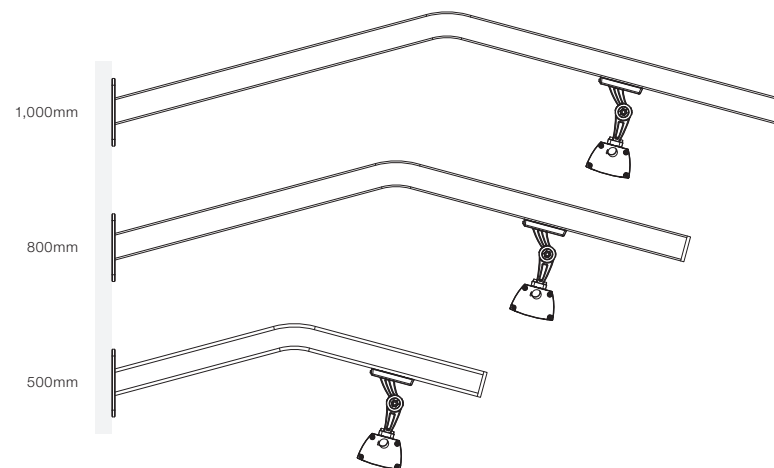
Architectural Swivel Bracket



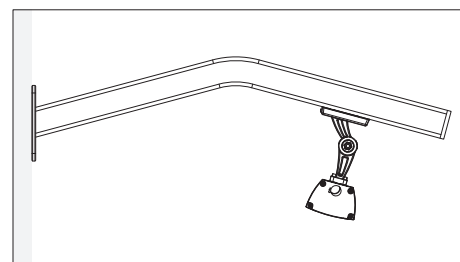


▪ OUTREACH ARMS

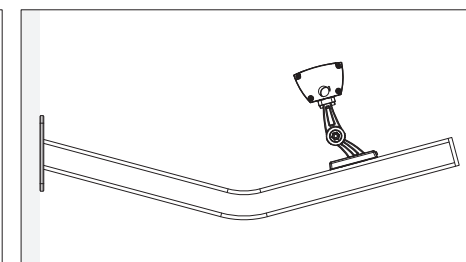
Dimensions



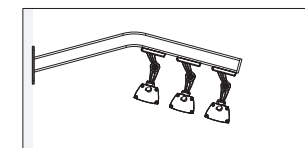
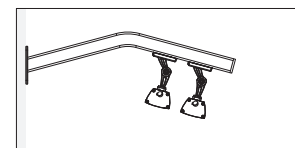
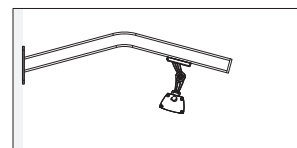
Mounted with fitting facing downwards



Mounted with fitting facing upwards



Up to 3 fittings can be mounted to the outreach arm



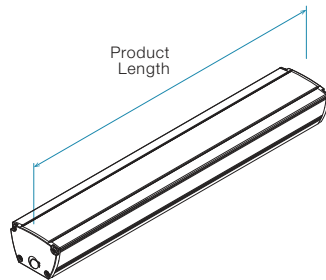
FLAT MOUNTING BRACKET

STEP 1

Before you begin installation, ensure that you understand the fitting layout required as supplied fitting lengths may vary.

Refer to the supplied cut sheet for length breakdowns.

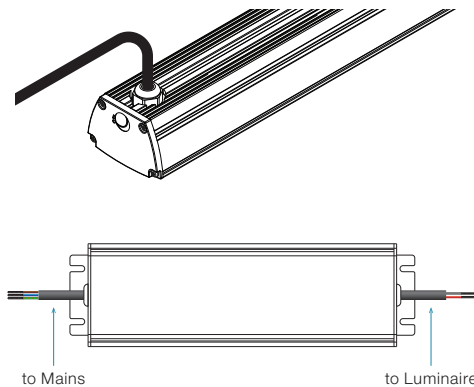
**For fittings 1 metre or longer two installers are recommended.*



STEP 2

If the fitting is wired from the back it will need to be wired **before** mounting. Ensure that you have allowed enough space to accommodate the cable gland exiting the back.

Wire the fitting to the correct power supply as advised on the cut sheet.

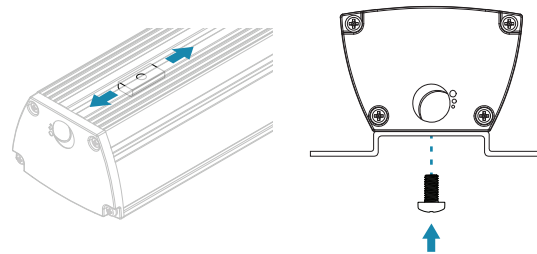


STEP 3

Slide the rhomb nuts on the back of the fitting so they have even spacing of 500 – 600mm.

Attach the mounting brackets to the rhomb nuts using the screws provided. Tighten the screws manually.

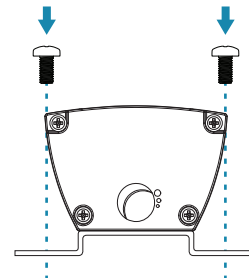
Revisit one by one to ensure that all nuts are secured and can no longer slide along the profile.



STEP 4

Prepare screws (Ø5mm). Insert screws through the two holes in the bracket and drill into previously installed anchorage.

** Ensure that anchorage is sufficient for the weight of the fitting.*

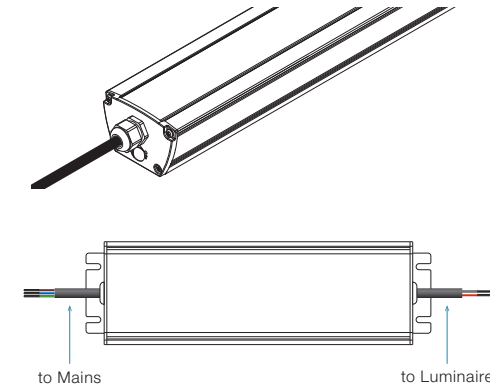


⚠ Weight of Latitude: IP40 = 2.4kg per metre.
IP65 = 3.5kg per metre.

STEP 5

If the fitting is wired from the side it will need to be wired **after** mounting.

Wire the fitting to the correct power supply as advised on the cut sheet.



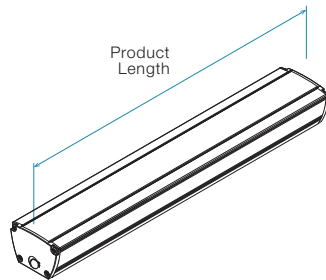
25° ROTATING MOUNTING BRACKET

STEP 1

Before you begin installation, ensure that you understand the fitting layout required as supplied fitting lengths may vary.

Refer to the supplied cut sheet for length breakdowns.

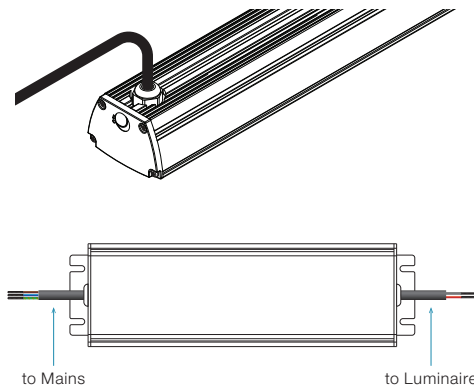
**For fittings 1 metre or longer two installers are recommended.*



STEP 2

If the fitting is wired from the back it will need to be wired **before** mounting. Ensure that you have allowed enough space to accommodate the cable gland exiting the back.

Wire the fitting to the correct power supply as advised on the cut sheet.



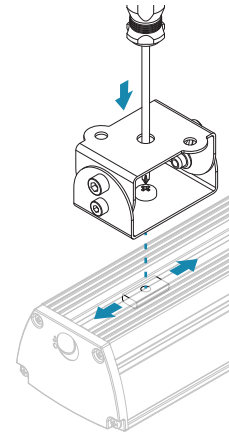
STEP 3

Slide the rhomb nuts on the back of the fitting so they have even spacing of 500 – 600mm.

Attach the side of the mounting brackets with the single hole to the rhomb nuts using the screws provided.

Use the hole in the opposite side to get access with a screwdriver to tighten the screws manually.

Revisit one by one to ensure that all nuts are secured and can no longer slide along the profile.

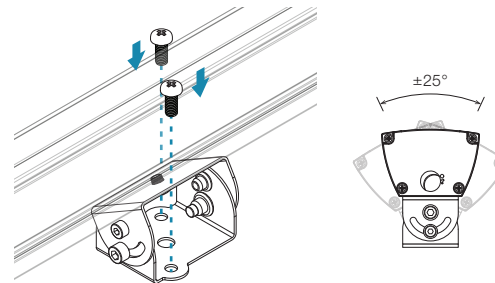


STEP 4

Prepare screws (Ø5mm). Flip the fitting over and lay the side of the mounting bracket with the three holes against the mounting surface.

Insert screws through the two outer holes and drill into previously installed anchorage. Position the fitting to the desired angle and tighten small screw to lock into place.

** Ensure that anchorage is sufficient for the weight of the fitting.*



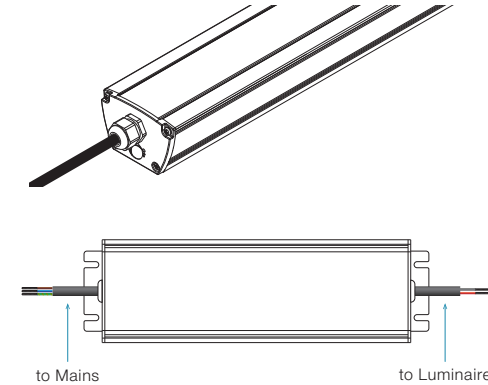
Weight of Latitude:

IP40 = 2.4kg per metre.
IP65 = 3.5kg per metre.

STEP 5

If the fitting is wired from the side it will need to be wired **after** mounting.

Wire the fitting to the correct power supply as advised on the cut sheet.



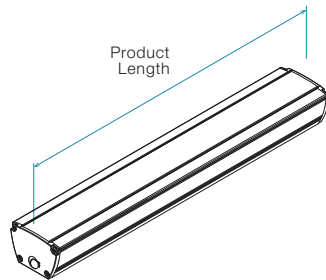
90° ROTATING MOUNTING BRACKET

STEP 1

Before you begin installation, ensure that you understand the fitting layout required as supplied fitting lengths may vary.

Refer to the supplied cut sheet for length breakdowns.

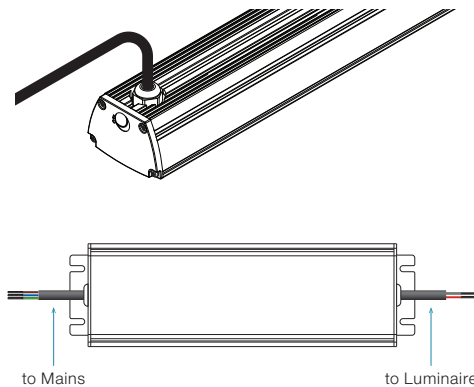
** For fittings 1 metre or longer two installers are recommended.*



STEP 2

If the fitting is wired from the back it will need to be wired **before** mounting. Ensure that you have allowed enough space to accommodate the cable gland exiting the back.

Wire the fitting to the correct power supply as advised on the cut sheet.



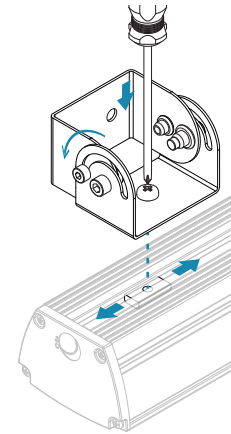
STEP 3

Slide the rhomb nuts on the back of the fitting so they have even spacing of 500 – 600mm.

Swivel the mounting bracket 90° to get access to the side with the single hole.

Attach this side of the mounting brackets to the rhomb nuts using the screws provided. Tighten the screws manually.

Revisit one by one to ensure that all nuts are secured and can no longer slide along the profile.

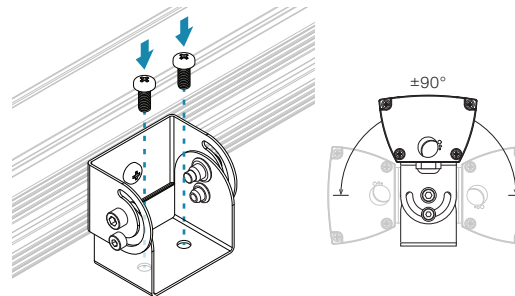


STEP 4

Prepare screws (Ø6mm). Keep the bracket in the 90° position and lay the side of the mounting bracket with the two holes against the mounting surface.

Insert screws through the two holes and drill into previously installed anchorage. Position the fitting to the desired angle and tighten small screw to lock into place.

** Ensure that anchorage is sufficient for the weight of the fitting.*



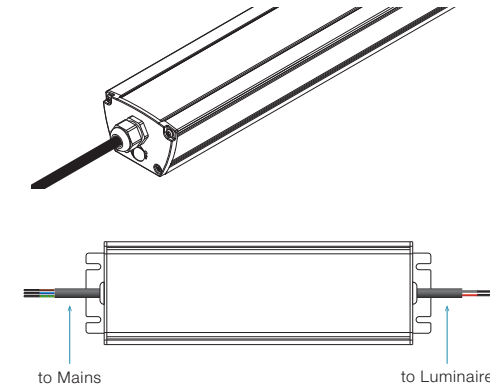
Weight of Latitude:

IP40 = 2.4kg per metre.
IP65 = 3.5kg per metre.

STEP 5

If the fitting is wired from the side it will need to be wired **after** mounting.

Wire the fitting to the correct power supply as advised on the cut sheet.



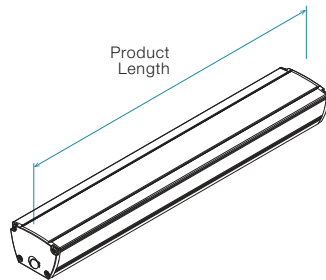
ARCHITECTURAL SWIVEL BRACKET

STEP 1

Before you begin installation, ensure that you understand the fitting layout required as supplied fitting lengths may vary.

Refer to the supplied cut sheet for length breakdowns.

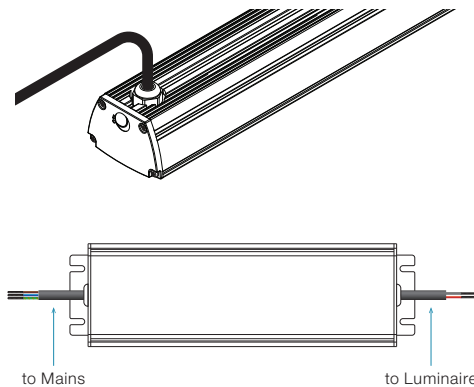
* For fittings 1 metre or longer two installers are recommended.



STEP 2

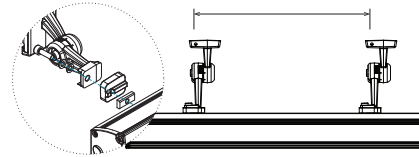
If the fitting is wired from the back it will need to be wired **before** mounting. Ensure that you have allowed enough space to accommodate the cable gland exiting the back.

Wire the fitting to the correct power supply as advised on the cut sheet.

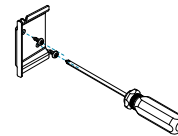


STEP 3

Attach rotating arm to the rhomb nuts using the screws provided. Do not tighten fully so that the nuts can still slide along the profile.



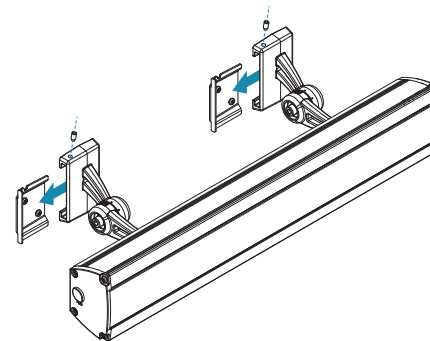
STEP 4



Prepare screws (Ø4mm). Secure mounting plate with screws onto previously installed anchorage ensuring that they are straight with spacings of 500 – 600mm.

Slide rotating arm onto mounting bracket. Tighten the screw in pin to secure bracket into position. Go back and tighten the rhomb nut screws so they can no longer slide along the profile.

* Ensure that anchorage is sufficient for the weight of the fitting.



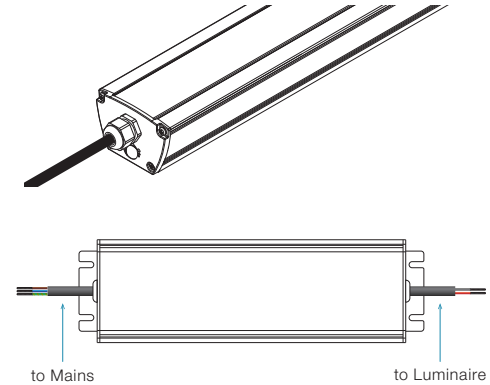
⚠ Weight of Latitude:

IP40 = 2.4kg per metre.
IP65 = 3.5kg per metre.

STEP 5

If the fitting is wired from the side it will need to be wired **after** mounting.

Wire the fitting to the correct power supply as advised on the cut sheet.



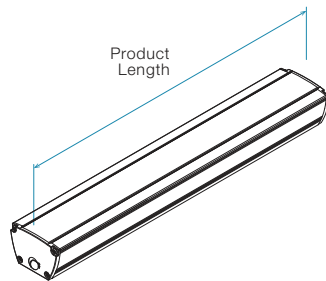
ARCHITECTURAL SWIVEL BRACKET WITH OUTREACH ARM

STEP 1

Before you begin installation, ensure that you understand the fitting layout required as supplied fitting lengths may vary.

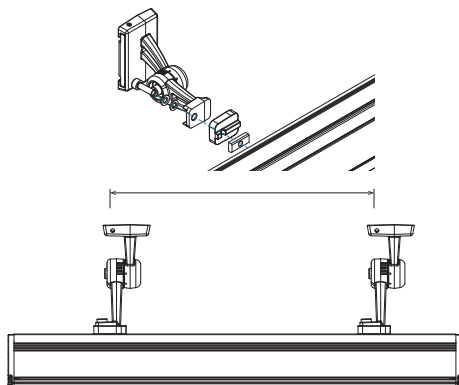
Refer to the supplied cut sheet for length breakdowns.

* For fittings 1 metre or longer two installers are recommended.



STEP 2

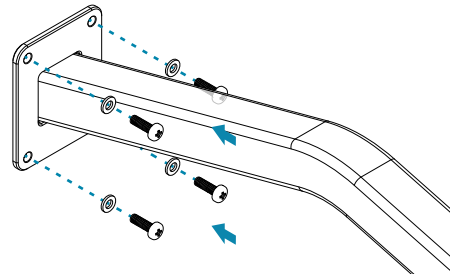
Attach rotating arm to the rhomb nuts using the screws provided. Do not tighten fully so that the nuts can still slide along the profile.



STEP 3

Prepare screws (Ø6mm). Secure mounting plate with screws onto previously installed anchorage ensuring that they are straight with spacings of 500 – 600mm.

* Ensure that anchorage is sufficient for the weight of the fitting.



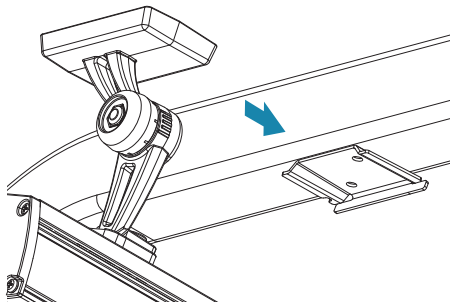
⚠ Weight of Latitude:

IP40 = 2.4kg per metre.

IP65 = 3.5kg per metre.

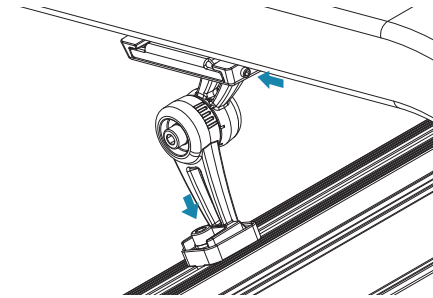
STEP 4

Slide the rotating arm onto the mounting bracket on the outreach arm.



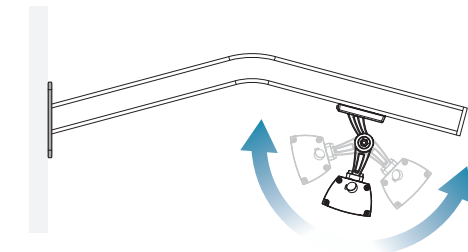
STEP 5

Tighten the grub screws and rhomb nut screws to secure brackets into position.



STEP 7

Adjust to desired angle and tighten the rotation bolts.



STEP 8

Wire the fitting to the correct power supply as advised on the cut sheet.

