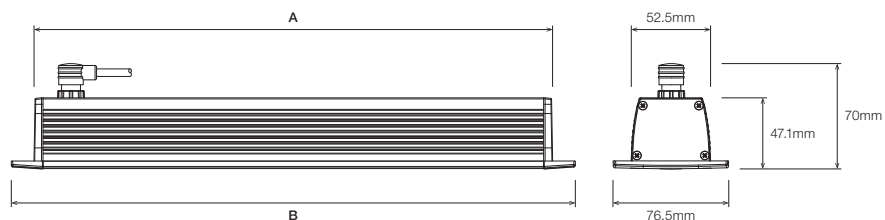




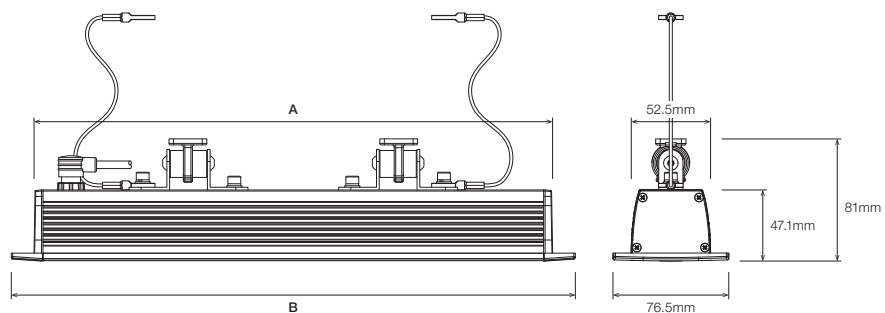
MIRA INSTALLATION INSTRUCTIONS



▪ PROFILE DIMENSIONS

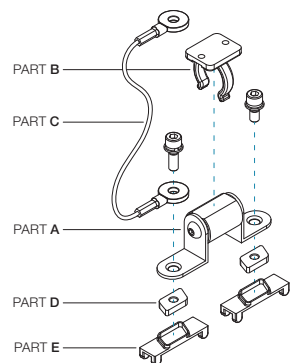


▪ WITH SUSPENSION KIT



NOTE:

- This suspension kit can be used in limited outdoor application, only for recessed application, unexposed to high winds and vibrations.



PART	DESCRIPTION
A	Tube Bracket
B	Tube Bracket Holder
C	Lanyard
D	Rhomb Nut
E	Aligning Clip

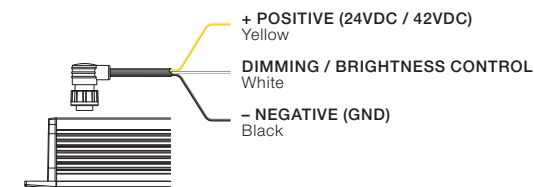
⚠ ATTENTION

- Please observe / follow the instructions methodically.
- Please ensure the units are handled with extreme care.
- Do not remove LED strips from packaging prematurely. Only remove from packaging when ready for installation.
- Failure to observe installation instructions and handling will void warranty of the product.
- Fittings must be installed by a licensed electrician.
- Before installing, make sure the power supply is switched off.

	S1	S2	S3	S4
A (_mm) Body length	343	636	929	1,222
B (_mm) Fascia length	373	666	959	1,252
Brackets required	2	2	3	3

▪ WIRING OPTIONS

3pin male connector - outdoor only



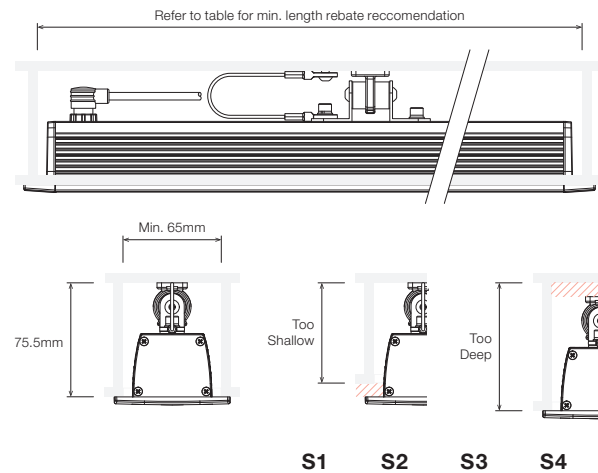
STEP 1

Before you begin installation, ensure that you understand the fitting layout required as supplied lengths may vary. Refer to the supplied cut sheet for length breakdowns.

Pay attention to rebate recommendations below to ensure proper fitment.

* For fittings 1m or longer two installers are recommended.

Recommended Rebate

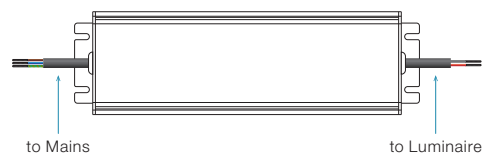


Min. Length Rebate (_mm)	S1	S2	S3	S4
	355	648	941	1,234

STEP 2

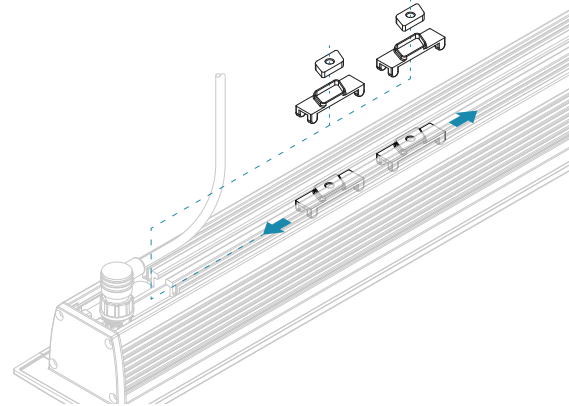
The fitting is wired from the back and will need to be wired **before** mounting. Ensure that you have allowed enough space to accommodate the cable gland exiting the back.

Wire the fitting to the correct power supply as advised on the cut sheet.



STEP 3

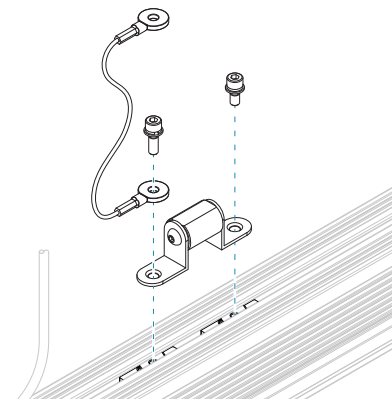
Snap the aligning clip into the rhomb nut. Slide the rhomb nuts into the back of the luminaire. Use 2 rhomb nuts per snap-in bracket.



STEP 4

Slide the rhomb nuts along the back of the fitting so the pairs have even spacing of 300mm – 600mm apart.

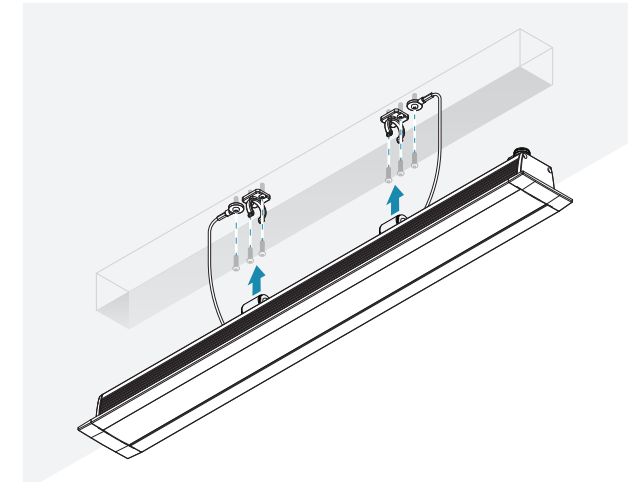
Attach the lanyard (one side only) and tube bracket to the to the rhomb nuts using the screws provided. Tighten the screws manually.



STEP 5

Prepare screws (Ø3.5mm). Screw in the tube bracket holder and second side of lanyard to mounting surface so that all nuts are secured and can no longer slide along the profile.

* Ensure that anchorage is sufficient for the weight of the fitting.



STEP 6

Align the tube bracket with the tube bracket holder and apply even weight to the fitting until you hear that the parts lock together.

