



# PLUME 10 AC TW

SPOT LIGHT SPT-PLUME 10 AC TW





Plume 10 AC TW is an exterior compact spotlight designed for accent and flood lighting applications. Utilize the luminaire to highlight, graze and beautify facades, bridges and magnitude of landscapes. Integrated power supply and control via on-board Casambi make wirelessly controlling this spotlight a total breeze.

**POWER (AC)**

**10W**  
9.9W



**BLK** · Black Anodised

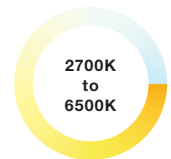


**BRS** · Brass Anodised



**BNA** · Brushed Natural Anodised

**TUNABLE WHITE**



**OPTICS**



**07D** · 7° Beam



**10D** · 10° Beam



**15D** · 15° Beam



**30D** · 30° Beam



**56D** · 56° Beam



**O3511D** · Oval 35° x 11° Beam



**INSTALLTION MANUAL**

Scan the QR Code or visit [www.coolon.com.au/dl/arch-spt-plume-10-ac-tw-manual](http://www.coolon.com.au/dl/arch-spt-plume-10-ac-tw-manual)

## TUNABLE WHITE

Reproduce and maintain perfect white light ranging from 2700 to 6500K. Colour temperature (CCT) and intensity control made simple.



## CASAMBI

Casambi Bluetooth offers wireless control of the Plume TW. Do away with sophisticated control systems by utilizing a smartphone and Casambi application. Simply set up and control the luminaire as desired.

L70

### LONG OPERATING LIFE

Coolon products use the world's most reputable LED manufacturers and the latest available standards to adequately report lumen maintenance. We strive to drive LEDs under their nominal current and use state-of-the-art heat dissipation methods, leading to durable electronics.



### VARIOUS CCT & COLOUR BINNING CONSISTENCY

All products are offered in various colour temperatures, and manufactured using tighter bins, ensuring excellent consistency and uniformity.

5 YEARS

### 5 YEARS WARRANTY

Coolon luminaires are covered by a solid comprehensive manufacturer's warranty that covers a range of possible defects and performance parameters throughout the duration of the warranty period.



### PROUDLY MADE IN AUSTRALIA

Our products are designed and manufactured in Australia. Engineered to perfection, using only the highest quality components and highly skilled labour, each luminaire is assembled and thoroughly tested to ensure that it exceeds the highest standards.

TECHNICAL SPECIFICATIONS

Product Code	SPT- PLUME 10 AC TW
Lumen Output (Neutral White)	335 lm / O3511D-SC
Nominal Power	10W
Description	Plume 10 AC TW Spotlight
Body	Aluminium Alloy Body
Finish	Brushed Natural / Brass / Black Anodised
Cover	Glass
Endcap	Polycarbonate
LEDs per Luminaire	1 unit / 4 in 1 TW LED (WW: 2500K to 2700K. CW: 6000K to 7000K)
Input Voltage	120 – 250VAC
Input Frequency Range	47 – 63Hz
Inrush Current	Meets NEMA-410 requirements
Leakage Current	< 250 µA @ 250VAC
Max. Input Power	11W
Colour Rendering Index (CRI)	80+
Dimming / Control	Casambi
External Heatsink Required	No
Ambient Operating Temperature	Ta -10°C to 50°C
Reported Lumen Maintenance	MN-S5060
TM21-11 (@ Ts = 90°C, If = 1,500mA)	L90 (6K) = 13,000 hours L70 (6K) > 33,000 hours
	Plume 10 AC TW Max. operating values (@ Ts = 85°C, If = 1,000mA)
IP Rating	IP66 (Standard)
IK Rating	IK07 (Standard) - Not including Wiring / Connectors
Weight	800g (with BJMB · Ball Joint Mounting Bracket)



The Bluetooth radio signal from the devices can be limited by its surroundings (In some situations the range of a Bluetooth signal can be dramatically reduced if a device is installed in a metal enclosure, or if thick stone walls or other possible constructional restrictions are affecting the signal strength coming from the device).

POWER & LUMEN OUTPUT

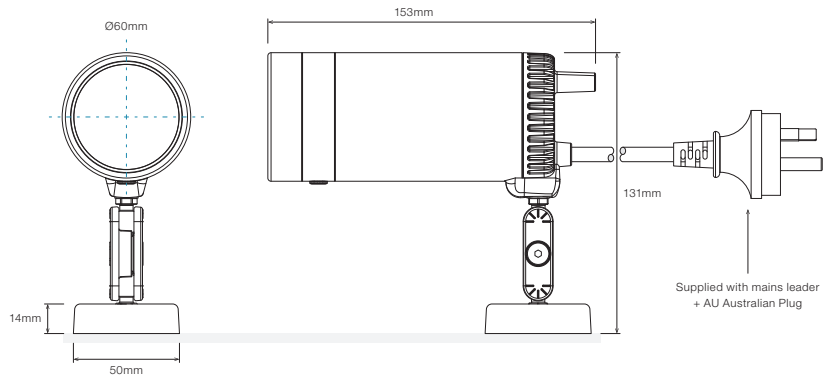
PLUME 10 TW SC	07D	10D	15D	30D	56D	O3511D
WW (~2700K)	317 lm	310 lm	304 lm	193 lm	178 lm	328 lm
NWT (~4000K)	330 lm	333 lm	313 lm	197 lm	186 lm	335 lm
CWT (~6500K)	346 lm	337 lm	322 lm	209 lm	191 lm	356 lm

PLUME 10 TW HM	07D	10D	15D	30D	56D	O3511D
WW (~2700K)	221 lm	216 lm	212 lm	155 lm	143 lm	263 lm
NWT (~4000K)	230 lm	232 lm	220 lm	158 lm	149 lm	268 lm
CWT (~6500K)	241 lm	235 lm	225 lm	168 lm	153 lm	285 lm

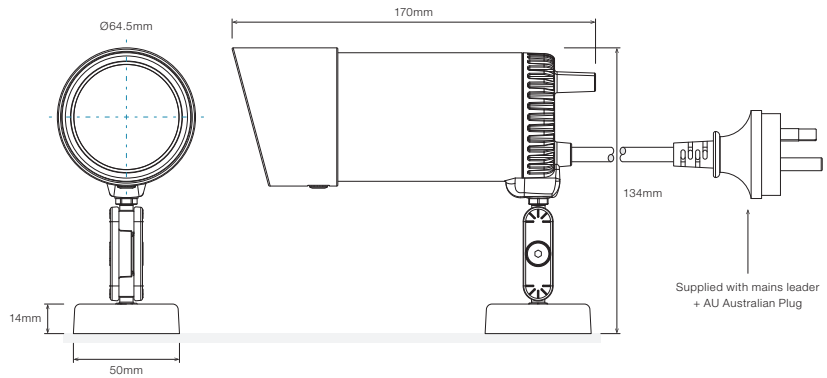


■ DIMENSIONS

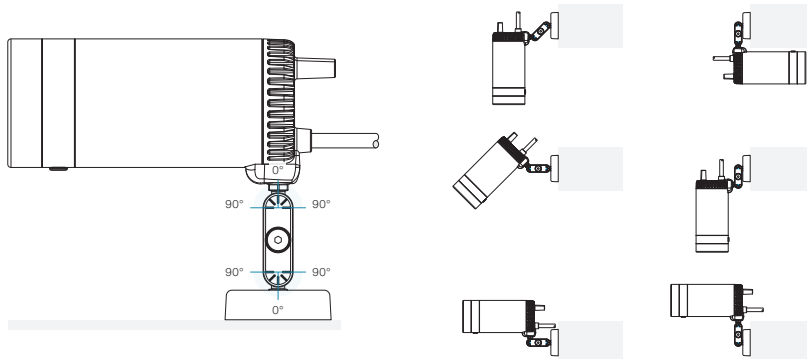
**BALL JOINT MOUNTING BRACKET**



**BALL JOINT MOUNTING BRACKET WITH ANTI GLARE VISOR**



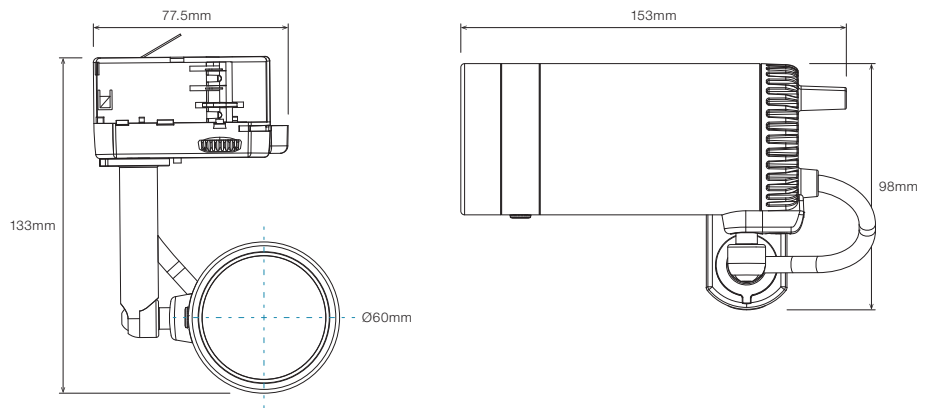
**BALL JOINT MOUNTING BRACKET ROTATION**



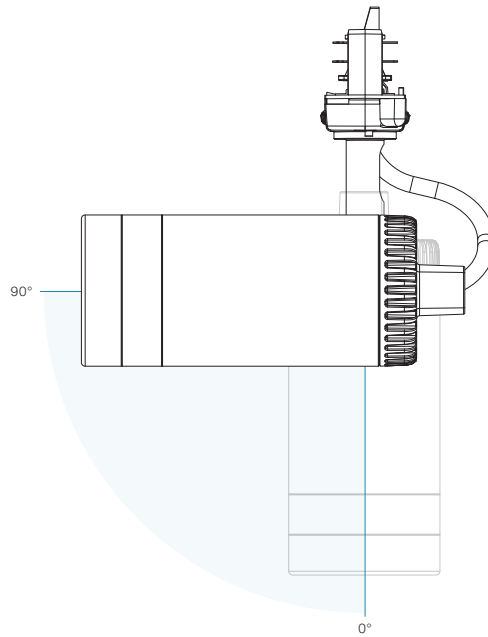


▪ DIMENSIONS

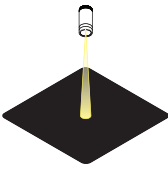
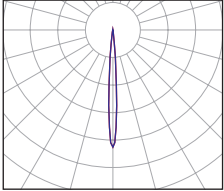
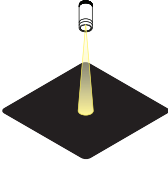
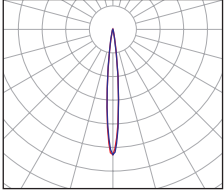
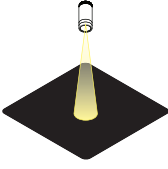
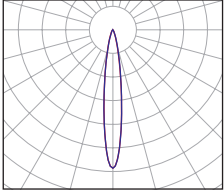
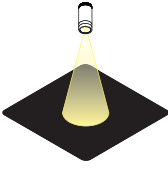
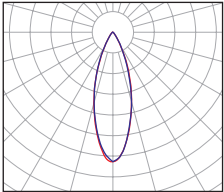
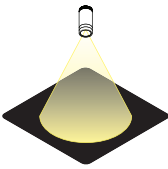
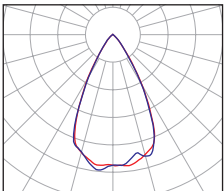
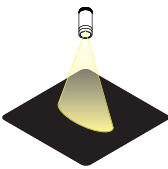
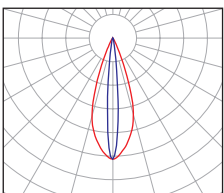
TRACK MOUNTING BRACKET



TRACK MOUNTING BRACKET ROTATION



■ POLAR DISTRIBUTION

OPTIC	POLAR DISTRIBUTION	
07D Narrow Beam 7° Beam Angle		
10D Narrow Beam 10° Beam Angle		
15D Medium Beam 15° Beam Angle		
30D Medium Beam 30° Beam Angle		
56D Wide Beam 56° Beam Angle		
O3511D Oval Beam Oval 35° x 11° Beam Angle		

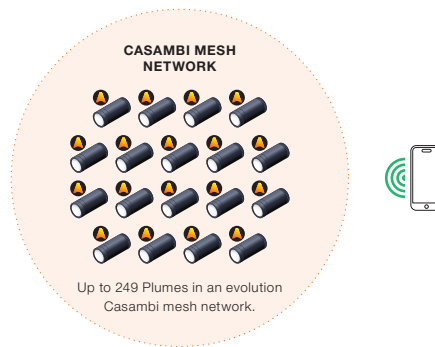
■ IP RATING

**IP66**

Fully protected against dust.  
 Protected against wave-like water jets from all directions.

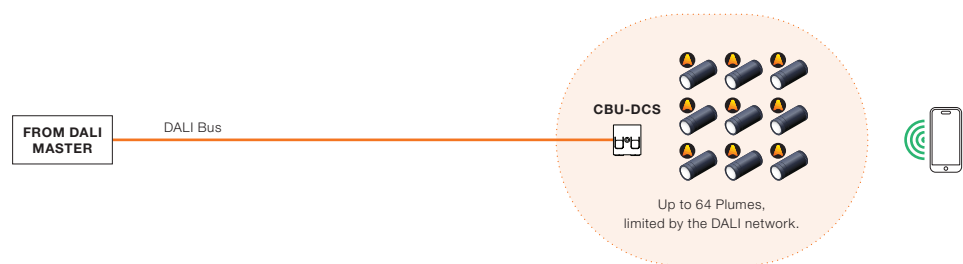
WIRING DIAGRAMS

CASAMBI INSTALLATION



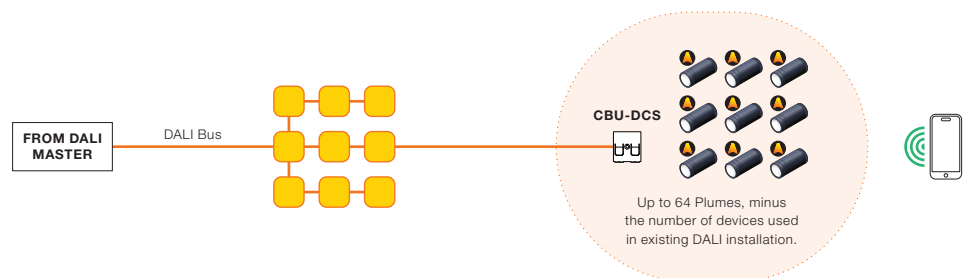
Plume not recommended for Classic Casambi Networks

NEW DALI INSTALLATION



Max total luminaires + input devices is the same for one DALI network (CUBU-DCS not included)

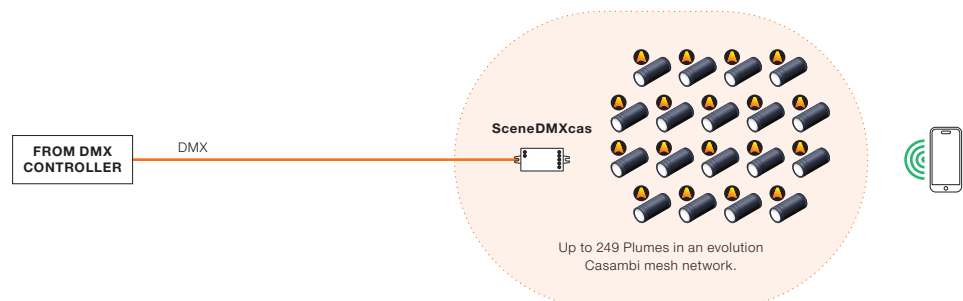
EXPAND EXISTING DALI INSTALLATION



Max total luminaires + input devices is the same for one DALI network (CUBU-DCS not included)

DMX INSTALLATION

DMX as casambi scene trigger



SceneDMXcas provides scene and intensity selection for up to 20 pre-defined Casambi scenes.

The DMX Start Address for each SceneDMXcas is user selectable.

SceneDMXcas can be configured with the Casambi app.

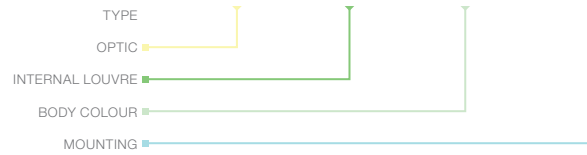
SceneDMXcas requires an external 12 – 24VDC Class 2 power supply.

Please refer to SceneDMXcas documentation for detailed instructions.



ORDERING EXAMPLE

**SPT-PLUME 10 AC TW - 30D - HM - BLK - BJMB**



**OPTIC**

07D	7° Beam (Far Throw Collimation)
10D	10° Beam
15D	15° Beam
30D	30° Beam
56D	56° Beam
O3511D	Oval 35° x 11° Beam

**INTERNAL LOUVRE**

SC	Standard Clear
HM	Honeycomb Mesh

**BODY COLOUR**

BLK	Black Anodised
BRS	Brass Anodised
BNA	Brushed Natural Anodised

**MOUNTING**

NA	No Mounting Included
BJMB	Ball Joint Mounting Bracket
TRMB	Track Mounting Bracket

ACCESSORIES

	PRODUCT CODE	DESCRIPTION
<b>ACCESSORIES</b>		
	ACC-PLUME-AGBL	Anti Glare Visor Black

▪ ITEM NUMBER

SPT - PLUME 10 AC TW - 07D - SC - BLK - NA	SPT - PLUME 10 AC TW - 30D - SC - BLK - NA
SPT - PLUME 10 AC TW - 07D - HM - BLK - NA	SPT - PLUME 10 AC TW - 30D - HM - BLK - NA
SPT - PLUME 10 AC TW - 07D - SC - BRS - NA	SPT - PLUME 10 AC TW - 30D - SC - BRS - NA
SPT - PLUME 10 AC TW - 07D - HM - BRS - NA	SPT - PLUME 10 AC TW - 30D - HM - BRS - NA
SPT - PLUME 10 AC TW - 07D - SC - BNA - NA	SPT - PLUME 10 AC TW - 30D - SC - BNA - NA
SPT - PLUME 10 AC TW - 07D - HM - BNA - NA	SPT - PLUME 10 AC TW - 30D - HM - BNA - NA
SPT - PLUME 10 AC TW - 07D - SC - BLK - BJMB	SPT - PLUME 10 AC TW - 30D - SC - BLK - BJMB
SPT - PLUME 10 AC TW - 07D - HM - BLK - BJMB	SPT - PLUME 10 AC TW - 30D - HM - BLK - BJMB
SPT - PLUME 10 AC TW - 07D - SC - BRS - BJMB	SPT - PLUME 10 AC TW - 30D - SC - BRS - BJMB
SPT - PLUME 10 AC TW - 07D - HM - BRS - BJMB	SPT - PLUME 10 AC TW - 30D - HM - BRS - BJMB
SPT - PLUME 10 AC TW - 07D - SC - BNA - BJMB	SPT - PLUME 10 AC TW - 30D - SC - BNA - BJMB
SPT - PLUME 10 AC TW - 07D - HM - BNA - BJMB	SPT - PLUME 10 AC TW - 30D - HM - BNA - BJMB
SPT - PLUME 10 AC TW - 07D - SC - BLK - TRMB	SPT - PLUME 10 AC TW - 30D - SC - BLK - TRMB
SPT - PLUME 10 AC TW - 07D - HM - BLK - TRMB	SPT - PLUME 10 AC TW - 30D - HM - BLK - TRMB
SPT - PLUME 10 AC TW - 07D - SC - BRS - TRMB	SPT - PLUME 10 AC TW - 30D - SC - BRS - TRMB
SPT - PLUME 10 AC TW - 07D - HM - BRS - TRMB	SPT - PLUME 10 AC TW - 30D - HM - BRS - TRMB
SPT - PLUME 10 AC TW - 07D - SC - BNA - TRMB	SPT - PLUME 10 AC TW - 30D - SC - BNA - TRMB
SPT - PLUME 10 AC TW - 07D - HM - BNA - TRMB	SPT - PLUME 10 AC TW - 30D - HM - BNA - TRMB
SPT - PLUME 10 AC TW - 10D - SC - BLK - NA	SPT - PLUME 10 AC TW - 56D - SC - BLK - NA
SPT - PLUME 10 AC TW - 10D - HM - BLK - NA	SPT - PLUME 10 AC TW - 56D - HM - BLK - NA
SPT - PLUME 10 AC TW - 10D - SC - BRS - NA	SPT - PLUME 10 AC TW - 56D - SC - BRS - NA
SPT - PLUME 10 AC TW - 10D - HM - BRS - NA	SPT - PLUME 10 AC TW - 56D - HM - BRS - NA
SPT - PLUME 10 AC TW - 10D - SC - BNA - NA	SPT - PLUME 10 AC TW - 56D - SC - BNA - NA
SPT - PLUME 10 AC TW - 10D - HM - BNA - NA	SPT - PLUME 10 AC TW - 56D - HM - BNA - NA
SPT - PLUME 10 AC TW - 10D - SC - BLK - BJMB	SPT - PLUME 10 AC TW - 56D - SC - BLK - BJMB
SPT - PLUME 10 AC TW - 10D - HM - BLK - BJMB	SPT - PLUME 10 AC TW - 56D - HM - BLK - BJMB
SPT - PLUME 10 AC TW - 10D - SC - BRS - BJMB	SPT - PLUME 10 AC TW - 56D - SC - BRS - BJMB
SPT - PLUME 10 AC TW - 10D - HM - BRS - BJMB	SPT - PLUME 10 AC TW - 56D - HM - BRS - BJMB
SPT - PLUME 10 AC TW - 10D - SC - BNA - BJMB	SPT - PLUME 10 AC TW - 56D - SC - BNA - BJMB
SPT - PLUME 10 AC TW - 10D - HM - BNA - BJMB	SPT - PLUME 10 AC TW - 56D - HM - BNA - BJMB
SPT - PLUME 10 AC TW - 10D - SC - BLK - TRMB	SPT - PLUME 10 AC TW - 56D - SC - BLK - TRMB
SPT - PLUME 10 AC TW - 10D - HM - BLK - TRMB	SPT - PLUME 10 AC TW - 56D - HM - BLK - TRMB
SPT - PLUME 10 AC TW - 10D - SC - BRS - TRMB	SPT - PLUME 10 AC TW - 56D - SC - BRS - TRMB
SPT - PLUME 10 AC TW - 10D - HM - BRS - TRMB	SPT - PLUME 10 AC TW - 56D - HM - BRS - TRMB
SPT - PLUME 10 AC TW - 10D - SC - BNA - TRMB	SPT - PLUME 10 AC TW - 56D - SC - BNA - TRMB
SPT - PLUME 10 AC TW - 10D - HM - BNA - TRMB	SPT - PLUME 10 AC TW - 56D - HM - BNA - TRMB
SPT - PLUME 10 AC TW - 15D - SC - BLK - NA	SPT - PLUME 10 AC TW - O3511D - SC - BLK - NA
SPT - PLUME 10 AC TW - 15D - HM - BLK - NA	SPT - PLUME 10 AC TW - O3511D - HM - BLK - NA
SPT - PLUME 10 AC TW - 15D - SC - BRS - NA	SPT - PLUME 10 AC TW - O3511D - SC - BRS - NA
SPT - PLUME 10 AC TW - 15D - HM - BRS - NA	SPT - PLUME 10 AC TW - O3511D - HM - BRS - NA
SPT - PLUME 10 AC TW - 15D - SC - BNA - NA	SPT - PLUME 10 AC TW - O3511D - SC - BNA - NA
SPT - PLUME 10 AC TW - 15D - HM - BNA - NA	SPT - PLUME 10 AC TW - O3511D - HM - BNA - NA
SPT - PLUME 10 AC TW - 15D - SC - BLK - BJMB	SPT - PLUME 10 AC TW - O3511D - SC - BLK - BJMB
SPT - PLUME 10 AC TW - 15D - HM - BLK - BJMB	SPT - PLUME 10 AC TW - O3511D - HM - BLK - BJMB
SPT - PLUME 10 AC TW - 15D - SC - BRS - BJMB	SPT - PLUME 10 AC TW - O3511D - SC - BRS - BJMB
SPT - PLUME 10 AC TW - 15D - HM - BRS - BJMB	SPT - PLUME 10 AC TW - O3511D - HM - BRS - BJMB
SPT - PLUME 10 AC TW - 15D - SC - BNA - BJMB	SPT - PLUME 10 AC TW - O3511D - SC - BNA - BJMB
SPT - PLUME 10 AC TW - 15D - HM - BNA - BJMB	SPT - PLUME 10 AC TW - O3511D - HM - BNA - BJMB
SPT - PLUME 10 AC TW - 15D - SC - BLK - TRMB	SPT - PLUME 10 AC TW - O3511D - SC - BLK - TRMB
SPT - PLUME 10 AC TW - 15D - HM - BLK - TRMB	SPT - PLUME 10 AC TW - O3511D - HM - BLK - TRMB
SPT - PLUME 10 AC TW - 15D - SC - BRS - TRMB	SPT - PLUME 10 AC TW - O3511D - SC - BRS - TRMB
SPT - PLUME 10 AC TW - 15D - HM - BRS - TRMB	SPT - PLUME 10 AC TW - O3511D - HM - BRS - TRMB
SPT - PLUME 10 AC TW - 15D - SC - BNA - TRMB	SPT - PLUME 10 AC TW - O3511D - SC - BNA - TRMB
SPT - PLUME 10 AC TW - 15D - HM - BNA - TRMB	SPT - PLUME 10 AC TW - O3511D - HM - BNA - TRMB