

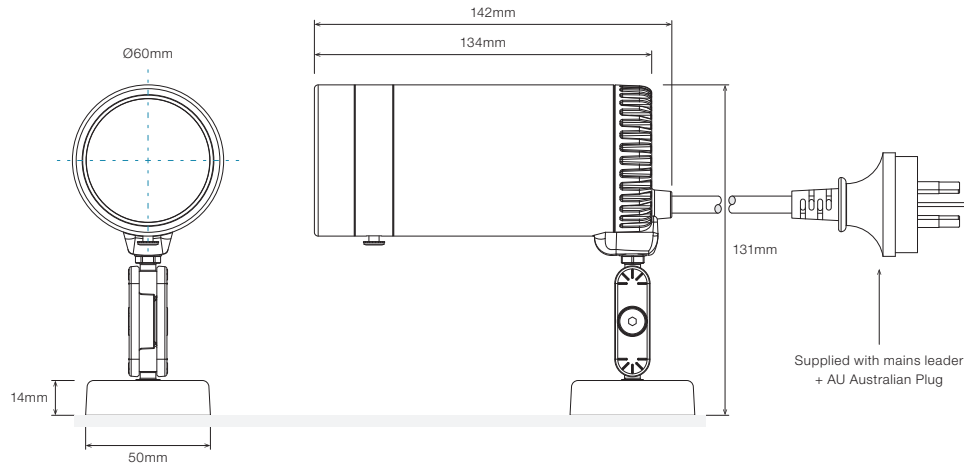


PLUME 10 AC INSTALLATION INSTRUCTIONS

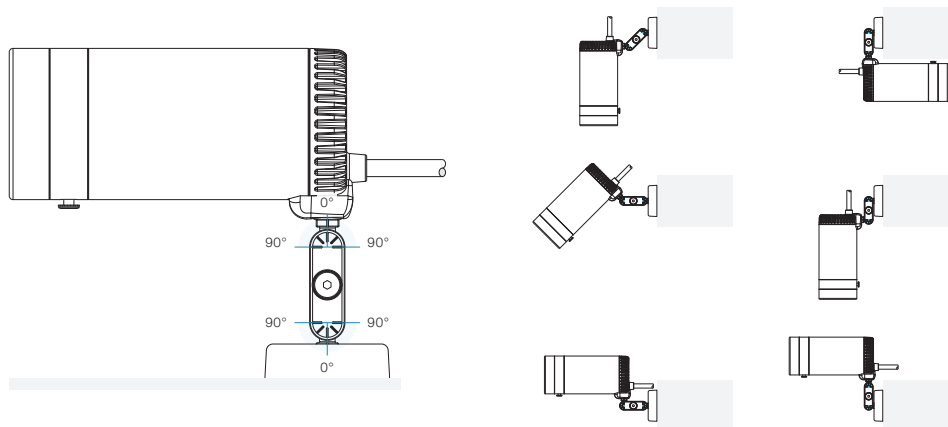


▪ PROFILE DIMENSIONS

With Ball Joint Mounting Bracket



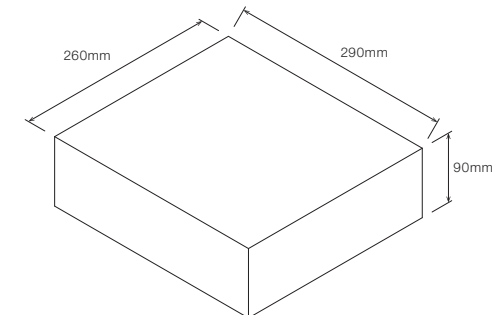
Ball Joint Mounting Bracket Rotation



⚠ ATTENTION

- Please observe / follow the instructions methodically.
- Please ensure the units are handled with extreme care.
- Do not remove product from packaging prematurely. Only remove from packaging when ready for installation.
- Failure to observe installation instructions and handling will void warranty of the product.
- Fittings must be installed by a licensed electrician.
- Before installing, make sure the power supply is switched off or mains cable is disconnected.

▪ PACKAGING DIMENSIONS



PACKAGED WEIGHT

1.3kg (contents can vary)

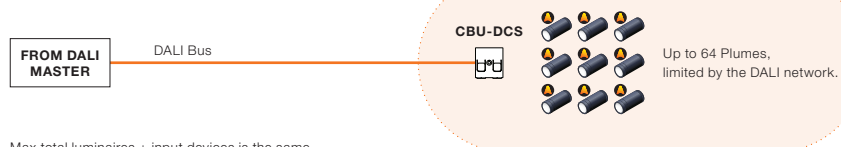
WIRING DIAGRAMS

CASAMBI INSTALLATION

Plume not recommended for Classic Casambi Networks



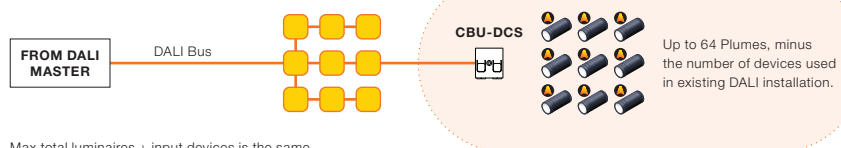
NEW DALI INSTALLATION



Max total luminaires + input devices is the same for one DALI network (CBU-DCS not included)



EXPAND EXISTING DALI INSTALLATION

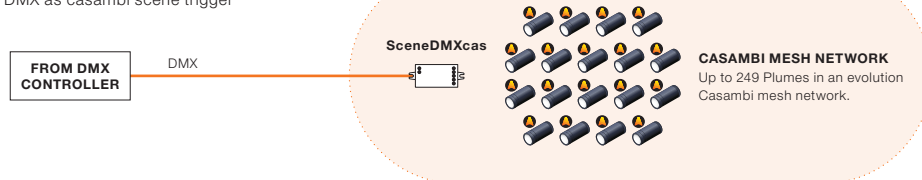


Max total luminaires + input devices is the same for one DALI network (CBU-DCS not included)



DMX INSTALLATION

DMX as casambi scene trigger



SceneDMXcas provides scene and intensity selection for up to 20 pre-defined Casambi scenes.

The DMX Start Address for each SceneDMXcas is user selectable.

SceneDMXcas can be configured with the Casambi app.

SceneDMXcas requires an external 12 – 24VDC Class 2 power supply.

Please refer to SceneDMXcas documentation for detailed instructions.



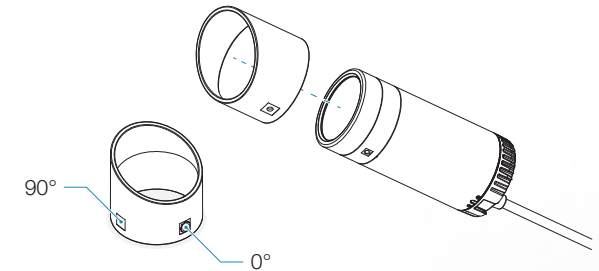


SPOT VISOR ACCESSORY (Sold Separately)

▪ STEP 1

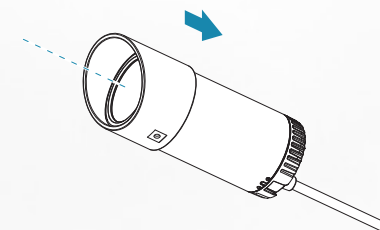
Align spot visor with Plume Spotlight.

Spot visor can be mounted at 0° or 90°.



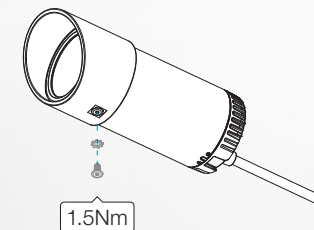
▪ STEP 2

Slide spot visor over spotlight body until the end stop is in contact.



▪ STEP 3

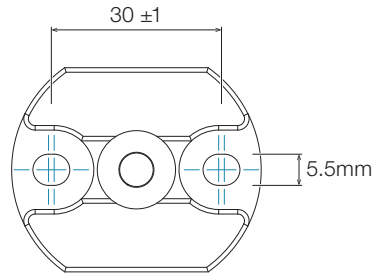
Insert screw with star washer and tighten with hex key (1.5Nm).



BALL JOINT MOUNTING BRACKET

STEP 1

Pick up base plate and select 2 suitable screws, refer to the table below for details.



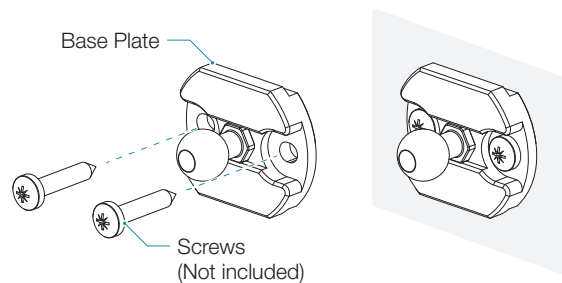
SCREW TYPE	THREAD SIZE
Metric Machine Screw	M5
Self Tapping Screw	10g (4.8mm)

SCREW HEAD WASHER Ø (MAX)	SCREW HEAD WASHER HEIGHT (MAX)
Ø13.5mm	6.5mm

LENGTH

Dependant on installation conditions. Requirement: centre of ball head must withstand a vertical load of 20N and torque of 2.5Nm

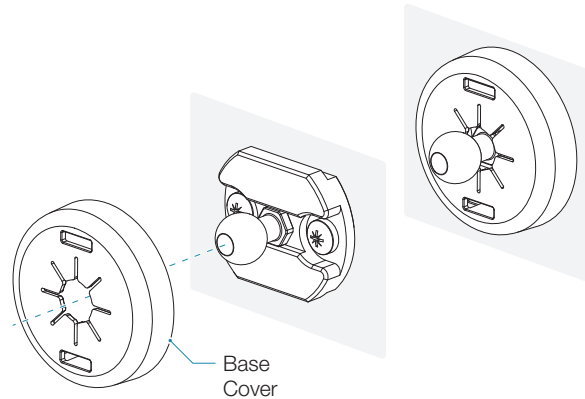
Locate and install base plate on wall/surface. Ensure screws are fully secured.



STEP 2

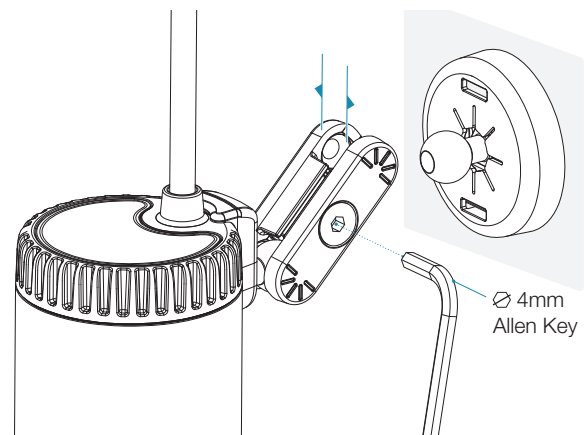
Pick up base cover and align with base plate. Slot must be parallel to base plate edge.

Snap base cover onto base plate as shown.



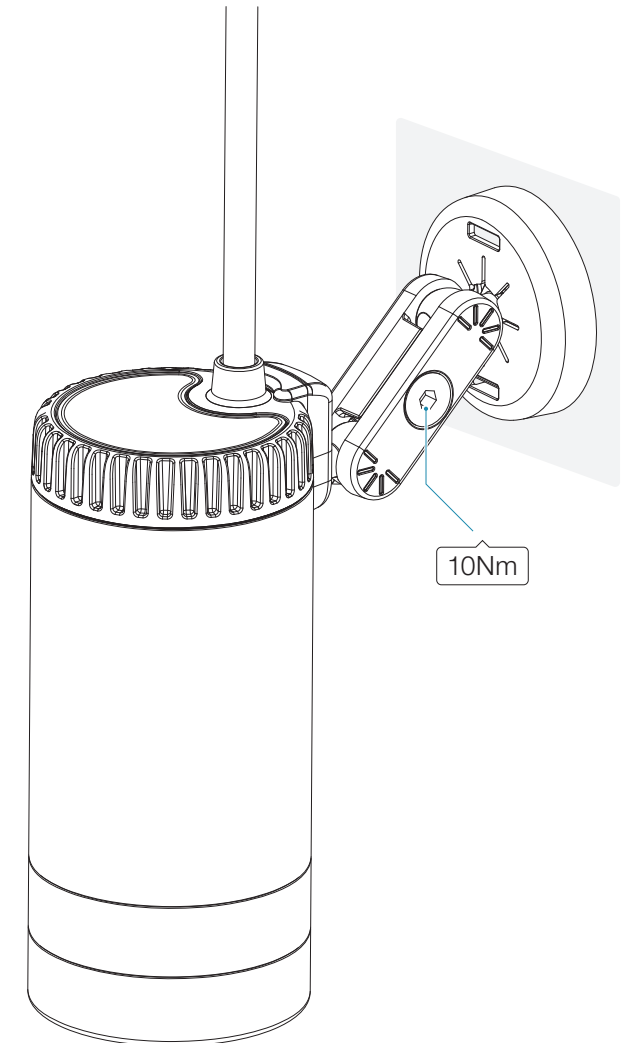
STEP 3

Loosen adjustment screw until bracket arms fit over the ball head stud.



STEP 3

Move / rotate spotlight to desired position, hold tight and fasten adjustment screw (recommended torque 10Nm)



CASAMBI READY

Casambi is designed specifically for lighting and allows the user to easily control / automate a space using their phone, tablet or wireless switch.

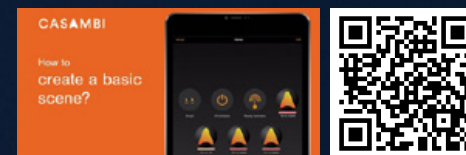
For more information, please visit <https://casambi.com/>

For a range of switches please visit <https://casambi.com/ecosystem/> and explore the options.

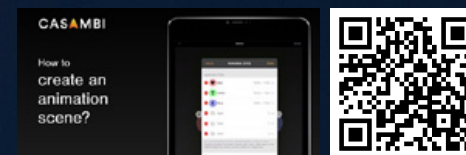
For use with a tablet and smart phone, download the Casambi app and follow the easy to use instructions to pair with your luminaire.



How to use Casambi for the first time
<https://youtu.be/H5DRQ2vCQDw>



How to create a basic scene
https://youtu.be/RGXkXU_4r2A



How to create an animation scene
<https://youtu.be/0RJ3Hvwwtpto>