

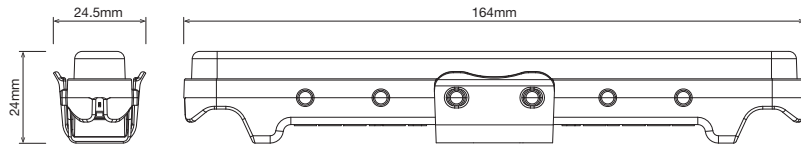


ADURO CL INSTALLATION INSTRUCTIONS

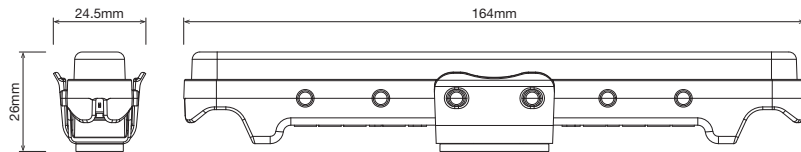


▪ DIMENSIONS WITH MOUNTING CLIP

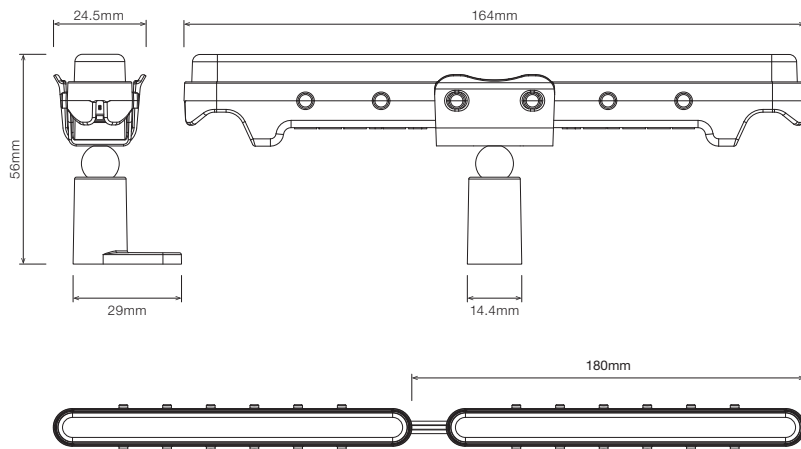
With Mounting Clip



With Mounting Tape



With Magnetic Ball Clip

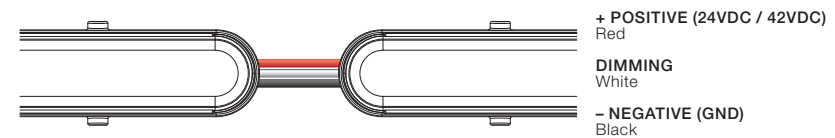


⚠ ATTENTION

- Please observe / follow the instructions methodically.
- Please ensure the units are handled with extreme care.
- Do not remove LED strips from packaging prematurely. Only remove from packaging when ready for installation.
- Failure to observe installation instructions and handling will void warranty of the product.

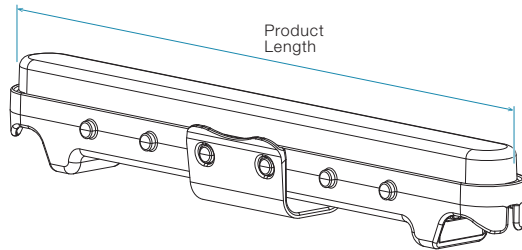
▪ WIRING OPTIONS

3 wires (RBW) – Indoor only.



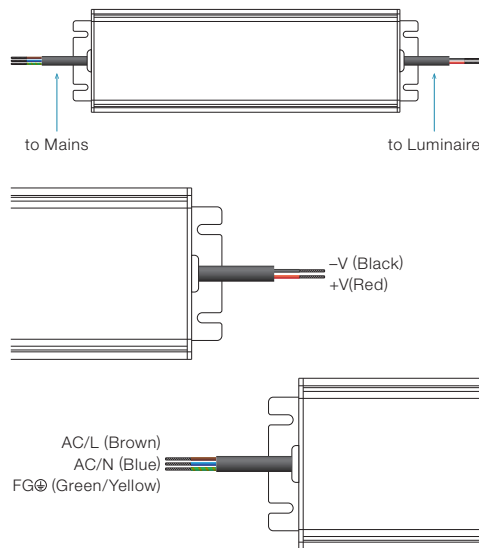
▪ STEP 1

Before you begin installation, ensure that you understand the fitting layout required as supplied fitting lengths may vary. Refer to the supplied cut sheet for length breakdowns.



▪ WIRING

Wire the fitting to the correct power supply as advised on the cut sheet.



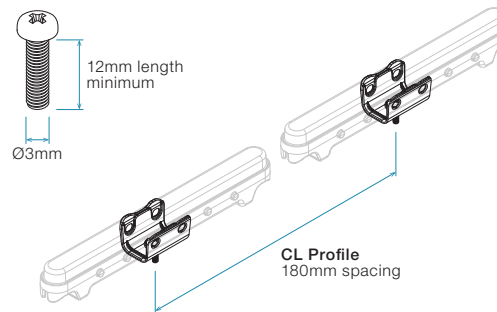
MOUNTING CLIPS

▪ STEP 2

Prepare mounting clips and screws (Ø3mm with a minimum length of 12mm).

Measure out the spacing between each mounting clip, spacing for CL is 180mm. A ruler is provided with mounting holes at 180mm distance.

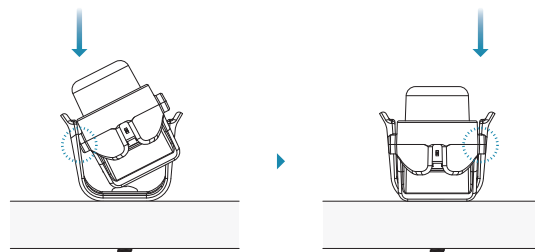
Secure clips with screws on timber or metal surface ensuring that mounting clips are straight.



▪ STEP 3

Tilt LED segment on one edge and secure the other edge by latching to mounting clips.

Slide profile until the circular tabs align with the holes in the clip to lock into place.

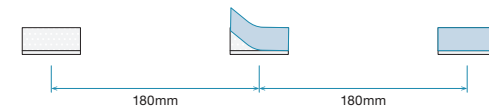


MOUNTING TAPE

▪ STEP 2

Prepare the mounting surface by wiping with alcohol to remove any dust or residue.

Peel a tape tab off the backing sheet and place sticky side down onto the mounting surface. Press the tab firmly in place to secure strongly and remove any air bubbles. Continue with the remaining tabs allowing spacings of 180mm between each.

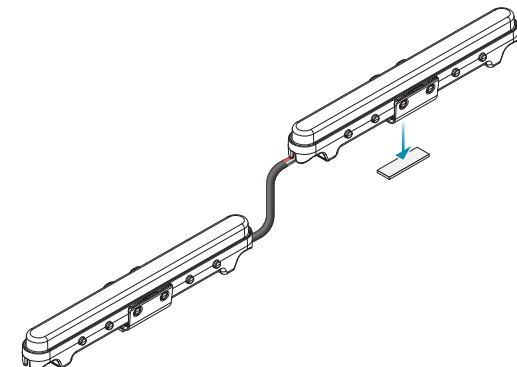


▪ STEP 3

Carefully peel the backing off the remaining exposed side of the tape tab to reveal the tacky surface.

Press the back of the first segment onto the tab firmly to adhere in place. Continue with the remaining segments.

Ensure you are working quickly with clean hands to prevent dirt and other substances contaminating the adhesive surface.



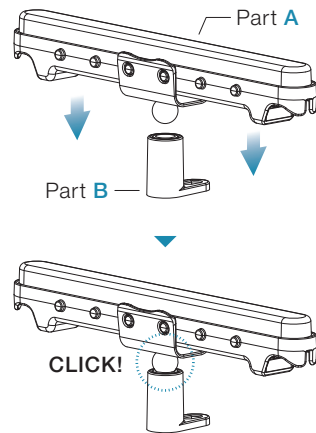
MAGNETIC BALL CLIP

STEP 1

Mount luminaire with magnetic ball (Part A) onto the magnetic ball clip base (Part B).

They should make a “click” when secured.

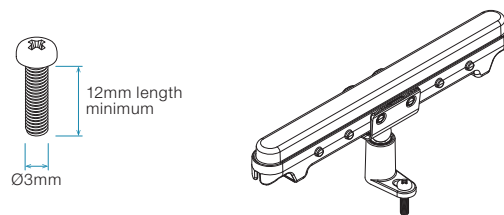
Follow the instructions in this document for positioning of the base (Part B).



STEP 2

Prepare mounting ball clips and screws (Ø3mm with a minimum length of 12mm).

Secure clips with screws on timber or metal surface.



**Pay attention to placement and rotation limits while securing each fitting (shown in the preceding diagrams).*

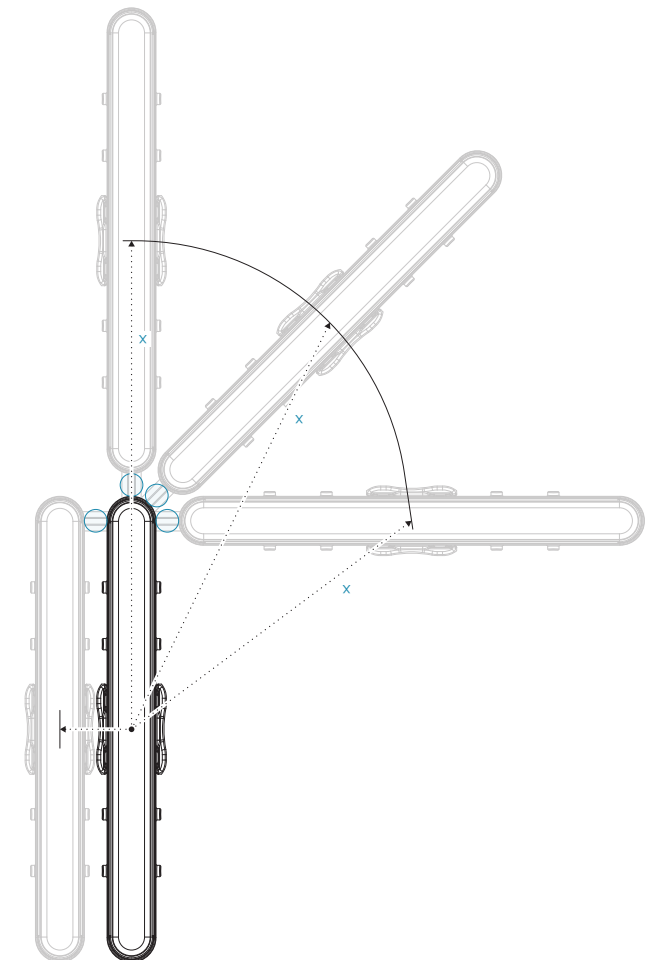


MAGNETIC BALL CLIP ROTATION LIMITS

DISTANCE

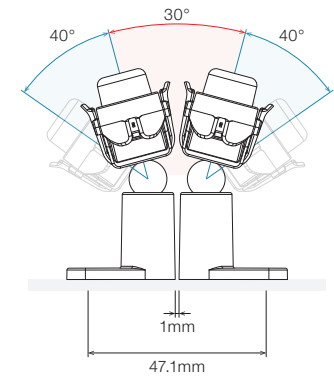
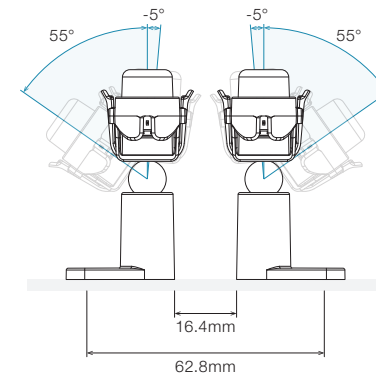
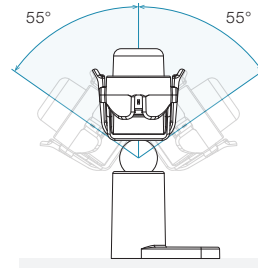
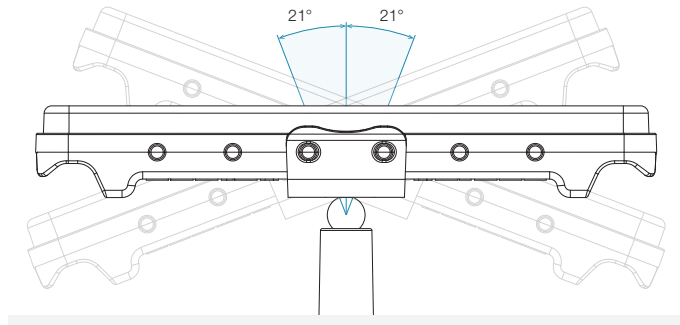
X dimension between mounts varies significantly based on geometry of product placement and products aiming angle.

○ = Ø8mm



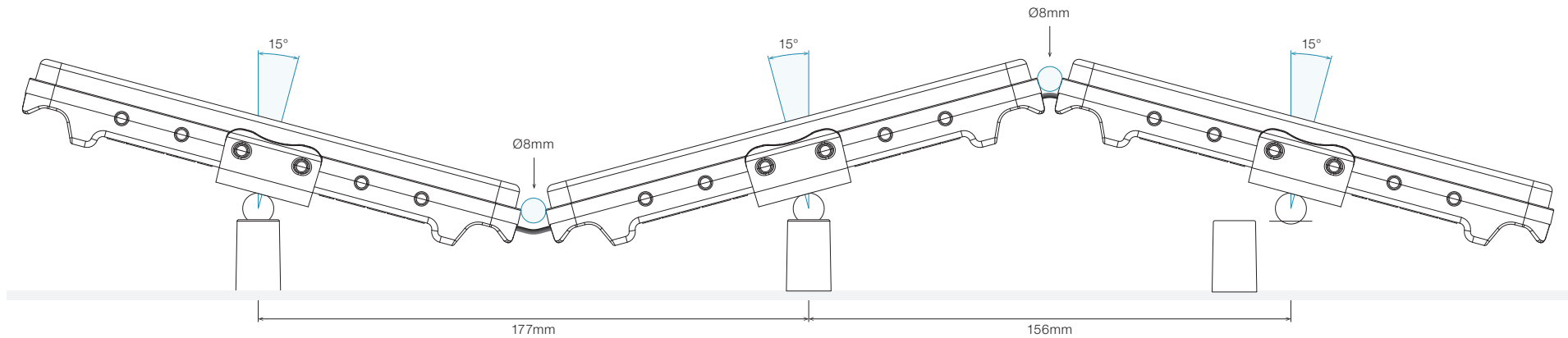
MAGNETIC BALL CLIP ROTATION LIMITS

▪ WITH NO OBSTRUCTIONS



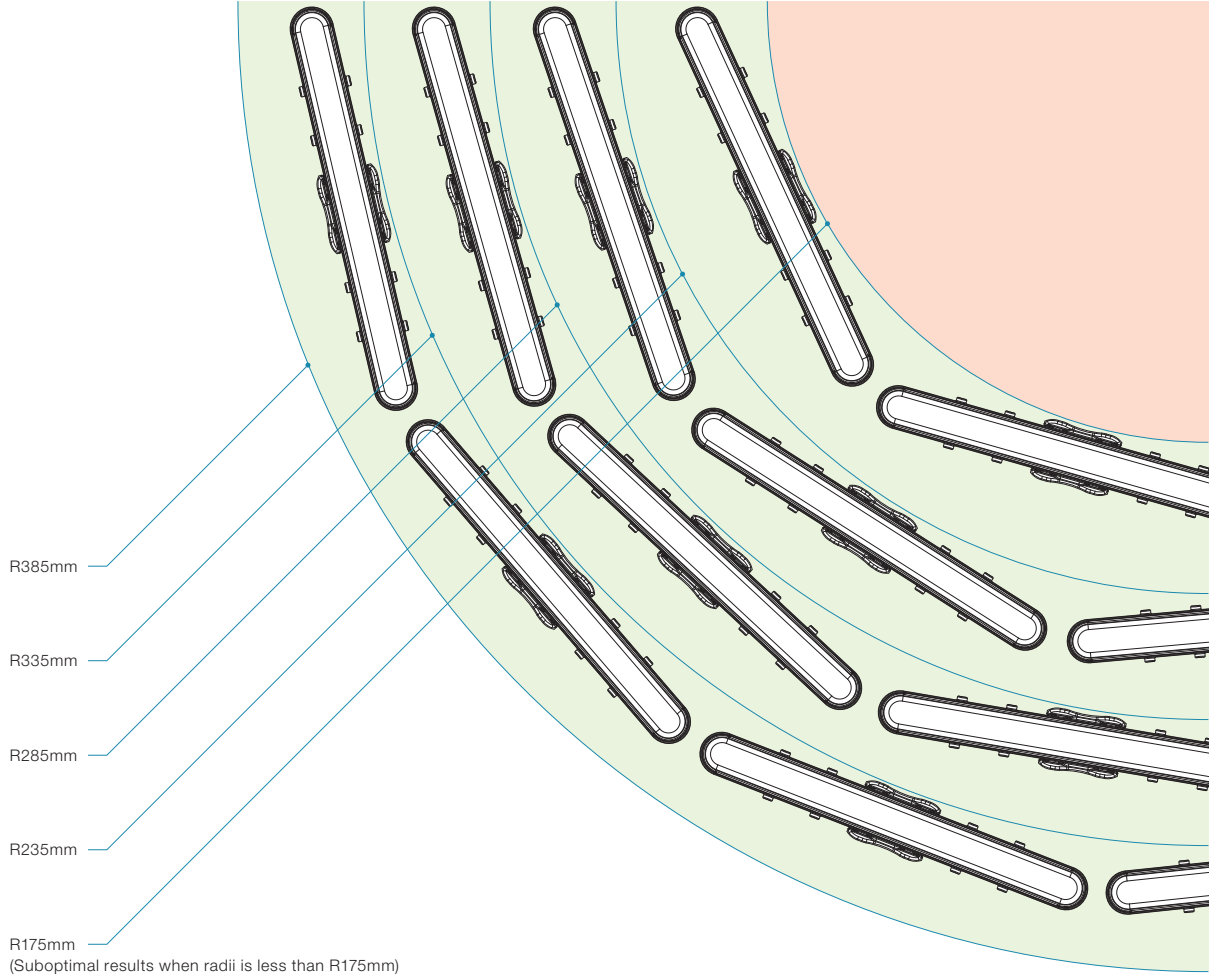
▪ BACK TO BACK

16.4mm spacing required if fittings are required to be aimed 0° upright.



ADURO CL MODULE PLACEMENT ALONG A CURVE

▪ IDEAL MODULE PLACEMENT



▪ DISTANCE FROM WALL

Minimum 50mm distance from illuminated walls.

