

MULTO CC

LED STRIP CHAIN MODULE STR-MULTO CC





Hosting the power of its linear sibling, the Multo CC can twist and turn around any corner. This flexibility makes the Multo CC LED strip the ultimate architectural lighting solution by adapting to spaces where curved and straight lines interact.

The product's versatility makes it suitable for numerous applications where customised shaping on-site can be seamlessly integrated into the design.

POWER**8W**

8W / metre

LUMINOUS FLUX**SD** • 490 – 650 lm / metre

COLOUR TEMPERATURE

2700K

3000K

4000K



CURVE RIGID STRIPS WITH EASE

The Multo CC is a rigid chain module that has flexible connection in between modules, enabling use in curved coves and pelmets.



SIMPLIFIED INSTALLATION

The strip arrives pre-connected to suit the length required on site. Simply take out of the box and connect it to power.



LONG OPERATING LIFE

Coolon products use the world's most reputable LED manufacturers and the latest available standards to adequately report lumen maintenance. We strive to drive LEDs under their nominal current and use state-of-the-art heat dissipation methods, leading to durable electronics.



VARIOUS CCT & COLOUR BINNING CONSISTENCY

All products are offered in various colour temperatures, and manufactured using tighter bins, ensuring excellent consistency and uniformity.



5 YEARS WARRANTY

Coolon luminaires are covered by a solid comprehensive manufacturer's warranty that covers a range of possible defects and performance parameters throughout the duration of the warranty period.



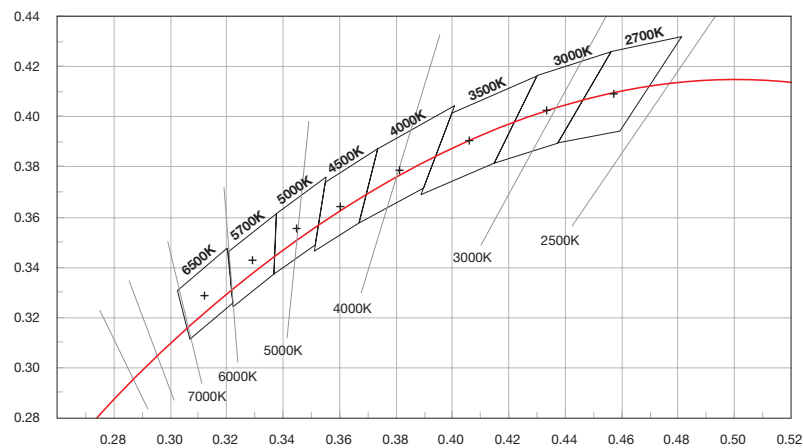
PROUDLY MADE IN AUSTRALIA

Our products are designed and manufactured in Australia. Engineered to perfection, using only the highest quality components and highly skilled labour, each luminaire is assembled and thoroughly tested to ensure that it exceeds the highest standards.

TECHNICAL SPECIFICATIONS

Product Code	STR-MULTO CC
Description	LED Strip Chain Module
Segment Length (S)	90mm
Segment Width	20.50mm or 24.10mm with Mounting Clip
LED Pitch	14.00mm
LEDs Per Segment	2x6
Operating Voltage	24VDC
Typical Power Consumption per Segment	0.72W per 90mm Segment
Typical Power Consumption per Metre	8W per metre
Colour Rendering Index (CRI)	80+
Max Continuous Connection Length	4.5 Metres or 50 Segments
Dimmable	Through DRV-DALIPOINT-1X5A or DRV-DIMMERPOINT-1X10A (sold separately)
Effective Beam Angle	120°
External Heatsink Required	No
Ambient Operating Temp	Ta -10°C to 40°C
Average Lumen Maintenance @Ta 25°C	70% @ 50,000 Hours
IP Rating	IP20

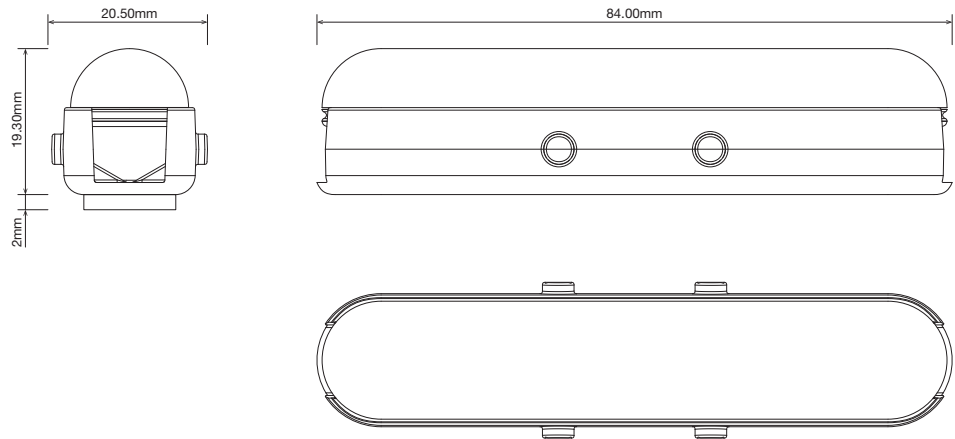
COLOUR BINNING



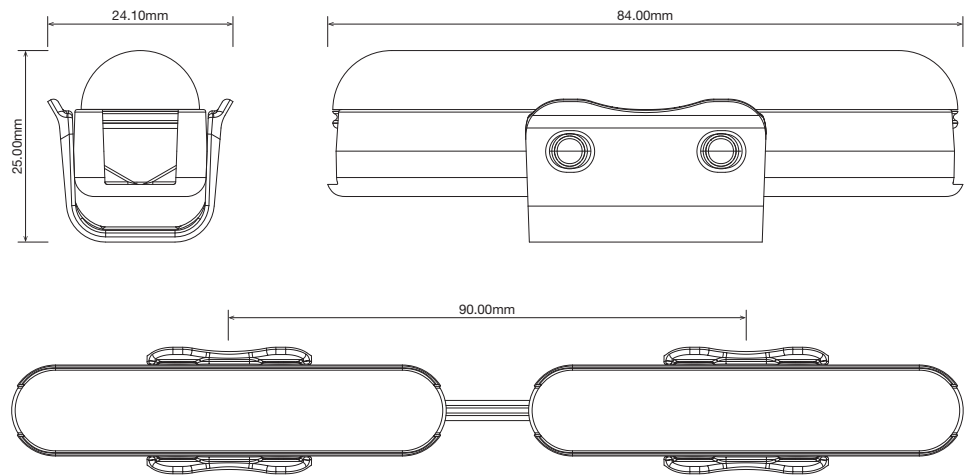
■ DIMENSIONS

For final strip lengths please refer to the "Product Length" table.

MULTO CC WITH MOUNTING TAPE



MULTO CC WITH MOUNTING CLIP



▪ PRODUCT LENGTH

POWERED BY 24VDC		
PCB SEGMENT	FINAL LENGTH	AMP / M @ 24V
S1	90mm	0.030
S2	180mm	0.060
S3	270mm	0.090
S4	360mm	0.120
S5	450mm	0.150
S6	540mm	0.180
S7	630mm	0.210
S8	720mm	0.240
S9	810mm	0.270
S10	900mm	0.300
S11	990mm	0.330
S12	1,080mm	0.360
S13	1,170mm	0.390
S14	1,260mm	0.420
S15	1,350mm	0.450
S16	1,440mm	0.480
S17	1,530mm	0.510
S18	1,620mm	0.540
S19	1,710mm	0.570
S20	1,800mm	0.600
S21	1,890mm	0.630
S22	1,980mm	0.660
S23	2,070mm	0.690
S24	2,160mm	0.720
S25	2,250mm	0.750
S26	2,340mm	0.780
S27	2,430mm	0.810
S28	2,520mm	0.840
S29	2,610mm	0.870
S30	2,700mm	0.900
S31	2,790mm	0.930
S32	2,880mm	0.960
S33	2,970mm	0.990
S34	3,060mm	1.020
S35	3,150mm	1.050
S36	3,240mm	1.080
S37	3,330mm	1.110
S38	3,420mm	1.140
S39	3,510mm	1.170
S40	3,600mm	1.200
S41	3,690mm	1.230
S42	3,780mm	1.260
S43	3,870mm	1.290
S44	3,960mm	1.320
S45	4,050mm	1.350
S46	4,140mm	1.380
S47	4,230mm	1.410
S48	4,320mm	1.440
S49	4,410mm	1.470
S50	4,500mm	1.500

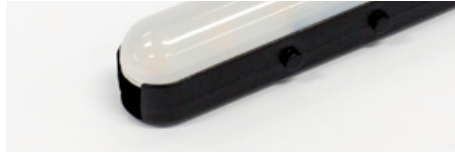
⚠ WARNING

PLEASE HANDLE LONG LED STRIPS WITH CARE.

When handling LED Strips, please ensure that they are all supported and not dragged from one end.

▪ DIFFUSER

SD - Standard Diffused



▪ WIRING CONFIGURATION

CONNECTOR TYPE	DRAWING	MALE	FEMALE
WR2OS Wire 2 Core One Side			
SMPLC Sample Type Connector 2.5mm			

- Wiring Length 250mm.
- Please consult Coolon for details on extension cable between LED fittings, drivers and power supplies.

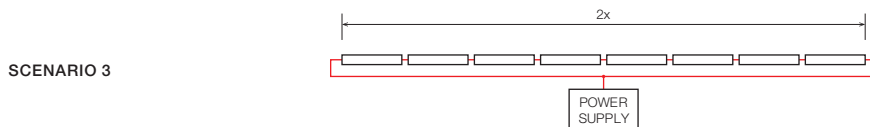
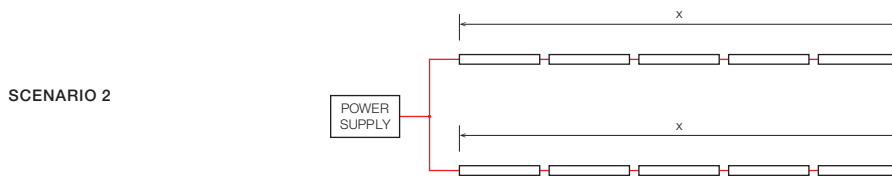
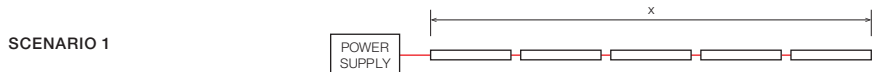
WIRING COLOUR CODE	
Red	+ VDC
Black	GND

▪ IP RATING

IP20

Protected against solid objects greater than 12mm.
No Protection against liquids.

■ INSTALLATION LIMITS



MAX. CONTINUOUS CONNECTION LENGTH (X)	SUPPLY VOLTAGE	NUMBER OF MODULES
4,500mm	24VDC	50

⚠ WARNING

Avoid connecting multiple power supplies into a single circuit, unless they are specifically designed to do so.

✗

✗

ORDERING EXAMPLE

STR - MULTO CC - 3.0K - S1 - SD - WR2OS - IP20



■ COLOUR TEMPERATURE ¹ PAGE 04

2.7K	2700K
3.0K	3000K
4.0K	4000K

■ PRODUCT LENGTH PAGE 06

S1	90mm	S31	2,790mm
S2	180mm	S32	2,880mm
S3	270mm	S33	2,970mm
S4	360mm	S34	3,060mm
S5	450mm	S35	3,150mm
S6	540mm	S36	3,240mm
S7	630mm	S37	3,330mm
S8	720mm	S38	3,420mm
S9	810mm	S39	3,510mm
S10	900mm	S40	3,600mm
S11	990mm	S41	3,690mm
S12	1,080mm	S42	3,780mm
S13	1,170mm	S43	3,870mm
S14	1,260mm	S44	3,960mm
S15	1,350mm	S45	4,050mm
S16	1,440mm	S46	4,140mm
S17	1,530mm	S47	4,230mm
S18	1,620mm	S48	4,320mm
S19	1,710mm	S49	4,410mm
S20	1,800mm	S50	4,500mm
S21	1,890mm		
S22	1,980mm		
S23	2,070mm		
S24	2,160mm		
S25	2,250mm		
S26	2,340mm		
S27	2,430mm		
S28	2,520mm		
S29	2,610mm		
S30	2,700mm		

■ PROFILE / DIFFUSER PAGE 07

SD	Standard Diffused
----	-------------------

■ WIRING CONFIGURATION PAGE 07





WR2OS	Wire 2 Core One Side
SMPLC	Sample Type Connector 2.5mm

■ IP RATING PAGE 07

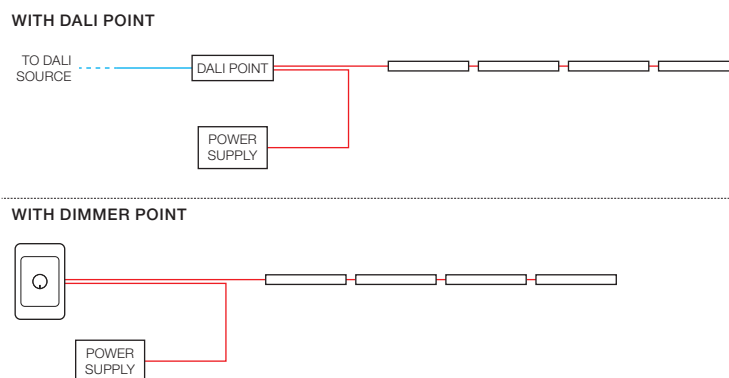
IP20

¹ Other CCT subject to availability.

■ ACCESSORIES

	PRODUCT CODE	DESCRIPTION
MOUNTING CLIP ¹		
	MC-CC	Black Plastic Mounting Clip
	MT-CC	Adhesive double sided mounting tape
¹ One MC-CC or MT-CC required per segment		
DRIVER		
	DRV-DALIPOINT-1X5A	DALI 5 Amps 1 Channel LED Driver
	DRV-DALIPOINT-IP1X10A	DALI 10 Amps 1 Channel Outdoor LED Driver
	DRV-DIMMERPOINT-1X10A	Rotary Wall-Mount LED Driver
	DRV-RDM-P4	DMX / RDM 4 Channel LED Driver
	DRV-RDM-IP-P4	Outdoor DMX / RDM 4 Channel LED Driver
POWER SUPPLY FOR OUTDOOR USE (IP67)		
	PWR-HLG-60H-24AU	Mean Well Power Supply HLG 60W 24V IP67
	PWR-HLG-150H-24AU	Mean Well Power Supply HLG 150W 24V IP67
	PWR-HLG-240H-24AU	Mean Well Power Supply HLG 240W 24V IP67
	PWR-HLG-320H-24AU	Mean Well Power Supply HLG 320W 24V IP67
CABLE EXTENSIONS		
	CBLEXT-STR-WR2-IP40-3M	3m Cable Extension for Strips 1x Red, 1x Black, 0.75mm ² wire
	CBLEXT-STR-WR2-IP40-5M	5m Cable Extension for Strips 1x Red, 1x Black, 0.75mm ² wire

■ WIRING DIAGRAMS



* Please consult Coolon for details on extension cables between LED fittings, drivers and PSUs.