



 COOLON

AC2

20W LED Mining Lead Light

Purpose built for operation in harsh underground environments

The AC2 LED combines IP66 and IK09 impact ratings with support for a wide range of AC and DC voltages to make it a perfect replacement for commonly used low voltage fluorescent lead lights.

The use of the latest low glare LED lighting technology makes it the ideal candidate for most underground mining applications.

Designed for use in:

- Switchboard / Switchroom
- Harsh Underground Lighting
- Local Area Lighting
- Workshop Lighting



ELV SAFE

EXTRA LOW VOLTAGE OPERATION

Our products operate on extra low voltage power. It is substantially safer to work with than conventional mains powered light sources.

Voltage Range: 23 – 35 VAC, 22 – 48 VDC



DESIGNED &
MANUFACTURED
IN AUSTRALIA



Reliability, where it counts

AC2 LED is a robust alternative to conventionally found fluorescent lead lights. High IP rating ensures that the fitting can survive in the harshest environments. Powered by Low Voltage AC and DC range, AC2 LED is easily adoptable for many underground applications.

Robust and virtually indestructible

The outer materials are corrosion resistant with a low surface temperature offering easy handling and maximum rigidity for all demanding applications.



COOL SURFACE TEMPERATURE

Coolon's Industrial LED fittings have a much lower surface temperature than traditional HID equivalents which prevents dirt from baking onto the luminaire. This allows for easier cleaning and will prolong the lifespan of the luminaire.



NO FLICKERING

LED luminaires run on constant low voltage power and do not produce any visible stroboscopic effects, thus reducing the strain on eyes and significantly improving safety in areas where moving machinery is present.



LOW SUSCEPTIBILITY TO VIBRATION

This luminaire is designed to handle continuous exposure to vibration. A typically critical issue affecting the life and operation of most common gas discharge lamp based light sources is mechanical shock and vibration.

3
YEARS

3 YEARS FACTORY WARRANTY

Coolon Luminaires are covered by a solid comprehensible manufacturer's warranty that covers a range of possible defects and performance parameters throughout the duration of the warranty period.



INSTANT ON/OFF

LEDs do not require warm up. Instant on to 100% output translates to no downtime, improved safety and the ability to utilize sensor switching to significantly save energy.

IP66

HIGH IP RATING - IP66

Coolon's Industrial LEDs are designed specifically to withstand the harsh conditions in mining environments. The robust design allows our LED products to be used in many different applications and are high pressure washable.

L70

LONG USEFUL OPERATING LIFE

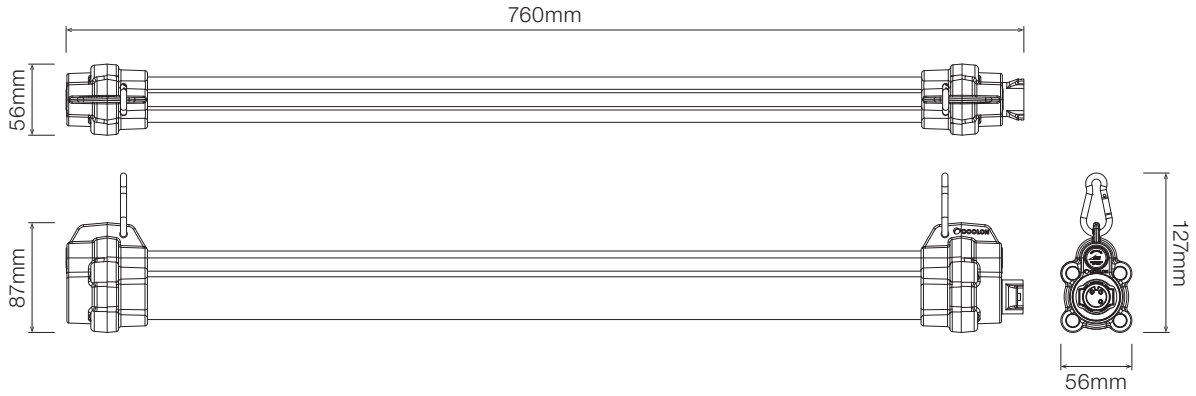
At Coolon we believe the lifetime of a luminaire is so much more than just the LED's. Coolon product lifetime takes the entire luminaire into consideration and each product is backed by a comprehensive warranty – that's the Coolon confidence.



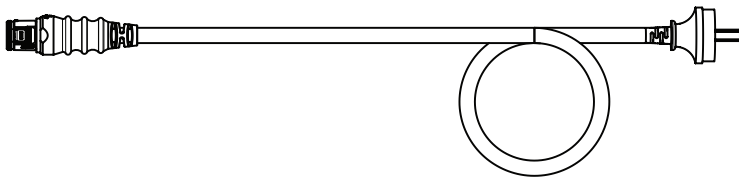
PROUDLY MADE IN AUSTRALIA

Engineered to perfection, using only the highest quality components and highly skilled labour, each luminaire is assembled and thoroughly tested to ensure that it exceeds the highest standards.

DIMENSIONS & CONFIGURATIONS



PLG32 Units supplied with 492/32 VAC Plug and cable



WR20S Units supplied with exposed 2 core cable



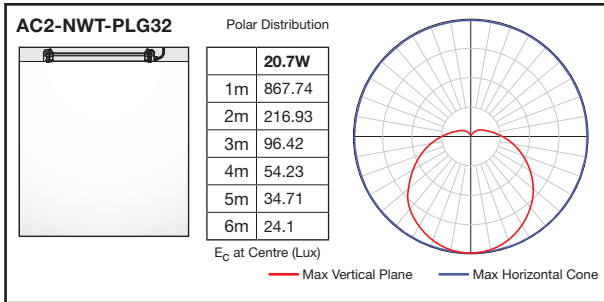
TECHNICAL SPECIFICATIONS

Make/Model	AC2 LED Mining Lead Light
Model	AC2
Optical Characteristics	
Luminous Flux (Photometered)	3,080 lm
CCT	NWT / CWT
CRI	>70
Electrical Characteristics (Luminaire)	
Power Consumption	20.7W
Nominal Voltage	24 VDC 30 VAC
Voltage Range	22 – 48 VDC 23 – 35 VAC 50Hz
Power Factor (AC supply)	0.5
Cable Diameter	7.5mm
Cable Length	3 Meters
Environmental	
IP Rating	IP66
Impact Rating	IK09
Operating Temp. Range	-20 to +45°C
Expected Lifespan	50,000 Hours to 70% Brightness
Material Composition (Body)	Polycarbonate
Material Composition (Diffuser)	Polycarbonate
Weight/Packaging	
Luminaire Weight	0.82kg
Packaging Dimension	1000 x 88 x 59mm
Packaging Weight	1.84kg
Warranty	
Warranty	3 years warranty as standard 5 years extended warranty optional

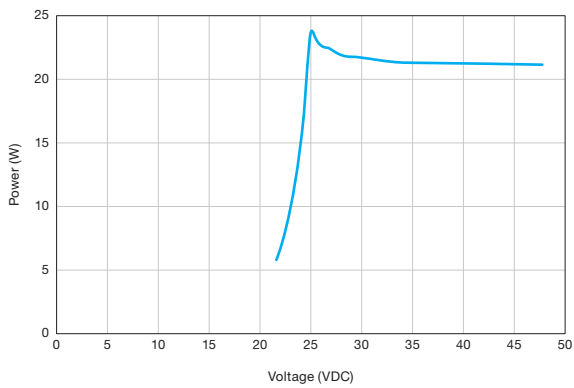
Optical and electrical characteristics are measured using Neutral White LEDs (NWT)

¹ Reading taken while test unit operating in steady state. Ambient temperature during testing is typically 25°C. Individual unit behaviour may differ due to electronic component tolerance and ambient conditions. Product parameters and application suitability shall be checked by the user prior to commissioning.

ILLUMINANCE AT DISTANCE

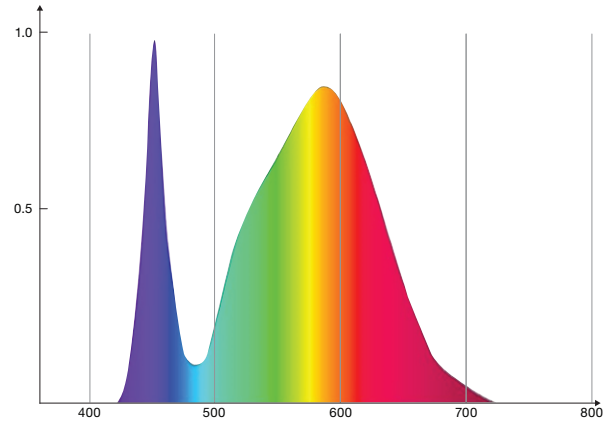


SUPPLY VOLTAGE VS POWER ¹



¹ Reading taken while test unit operating in steady state. Ambient temperature during testing is typically 25°C. Individual unit behavior may differ due to electronic component tolerance and ambient conditions. Product parameters and application suitability shall be checked by the user prior to commissioning.

SPECTRAL DISTRIBUTION



CCT	3,908K
Colour Rendering Index	74.1
Efficacy	149lm / W
Power	20.7W
Luminous Flux (Spectrophotometry Result)	3,080 lm

ORDERING EXAMPLE

AC2 - NWT - WR2OS

PRODUCT COLOUR TEMP TERMINAL

PRODUCT	COLOUR TEMP	TERMINAL
AC2	NWT Neutral White	WR2OS 2 Core Cable Exposed
	CWT Cool White	PLG32 Fitted with 492/32 type Plug