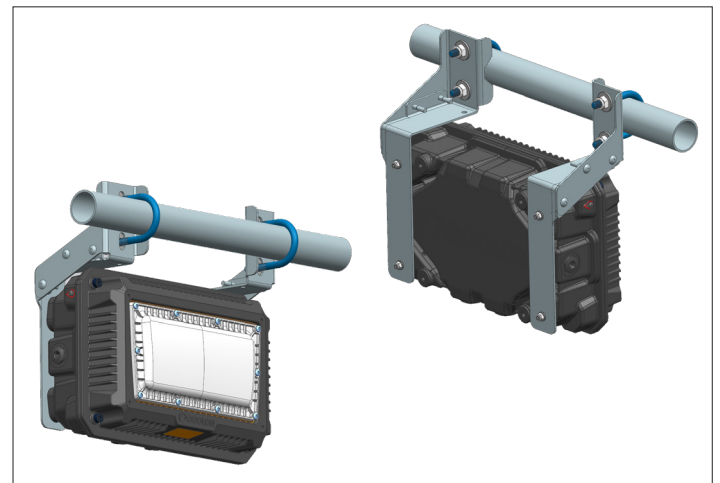
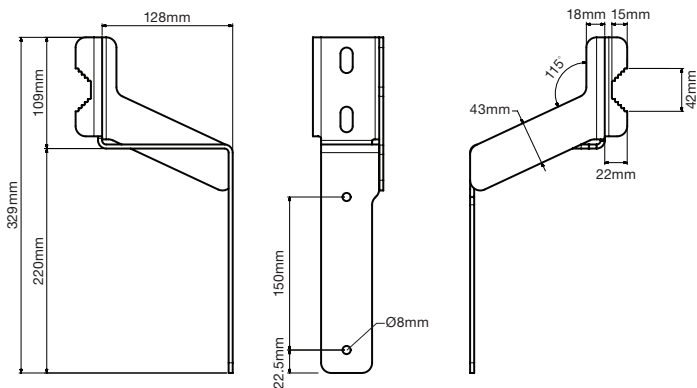




BULKHEAD HANDRAIL MOUNT

Dimensions



Description

The Bulkhead Handrail Mounting Bracket is specifically designed for mounting Bulkhead luminaire on a variety of handrail circular poles that are widely used in the industry.

Technical Specifications

Suitable for Mounting	Bulkhead LED Light Plate/Bracket Attachment U-Bolt
Weight	2.3kg - 2.6kg (U-bolt size / weight dependent)

Ordering Example

ACC - HMB	- NB40	- BH	- SS
HMB Handrail Mounting Bracket	NB25 To fit DN25 pipe NB40 To fit DN40 pipe NB50 To fit DN50 pipe	BH Coolon Bulkhead Footprint	SS Stainless Steel 304