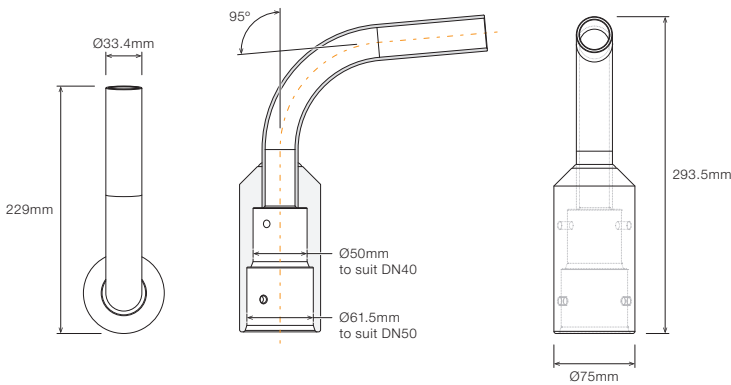




POLE TOP ADAPTER TO A SPIGOT

Dimensions



Description

The smooth bend of the Pole Top Adapter to a Spigot allows stiff reinforced power cable to be easily pushed through. For greater versatility, the adapter can fit both NB40 and NB50 industrial poles.

Technical Specifications

Suitable for	DLK, DLK2, EWL
Mounting	NB40 or NB50 Pole Top
Weight	3.8kg
Spigot Size	33.4mm

Ordering Example

ACC - PTA

PTA Pole Top Adaptor

- NB40/50

NB40/50 To fit DN40 and DN50 pipe

- SPIGOT

SPIGOT 33.4mm OD mounting spigot

- GAL

GAL Galvanized Steel
SS Stainless Steel 304