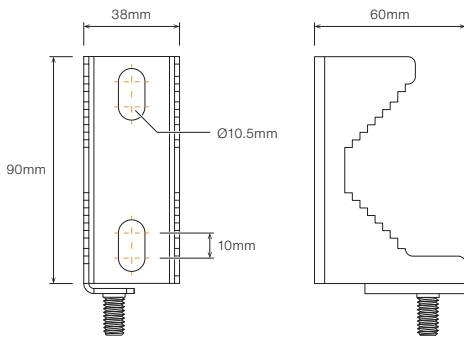




# U-BOLT POLE MOUNT

## Dimensions



## Description

The U-Bolt Pole Mount allows a variety of surface mounted products to be installed on industrial poles, pipes and handrails of various diameters.

## Technical Specifications

<b>Suitable for</b>	Warden
<b>Mounting</b>	U-Bolt
<b>Weight</b>	0.3kg

## Ordering Example

<b>ACC - PMB</b>	<b>- NB40</b>	<b>- BOLT</b>	<b>- SS</b>
PMB Pole Mount Bracket	NB40 To fit DN40 NB50 To fit DN50	BOLT M8x1.25 Mounting Bolt	SS Stainless Steel 304 GAL Galvanized Steel