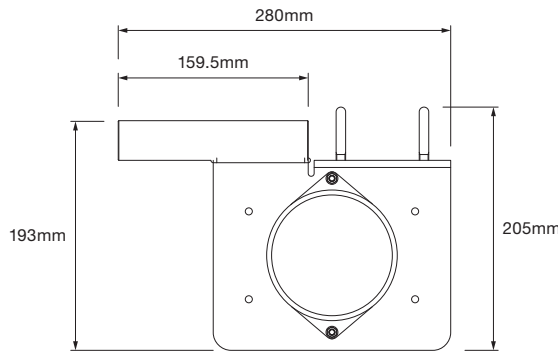
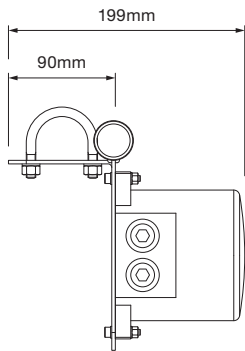




U-BOLT SPIGOT MOUNT BRACKET WITH CCG H-JUNCTION BOX, GALVANISED

Dimensions



Description

Allows for convenient mains in-out connection at the luminaire without modifying the luminaire.

Technical Specifications

Suitable for	Spigot mount luminaires / fittings
Mounting	Spigot Mount Bracket
Weight	2.5kg

Ordering Example

ACC	-	UBT	-	SMB	-	CCG - H - BOX	-	GAL
		UBT U-Bolt		SMB Spigot Mount Bracket		CCG H Box CCG H-Junction Box		GAL Galvanized steel