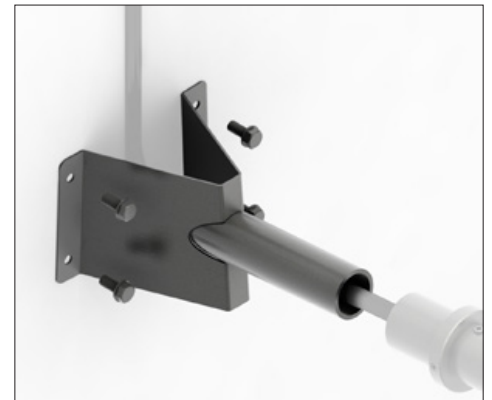
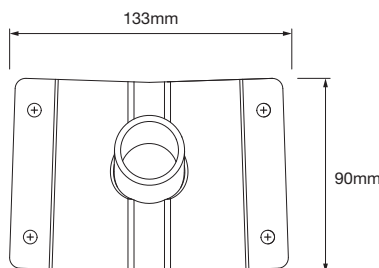
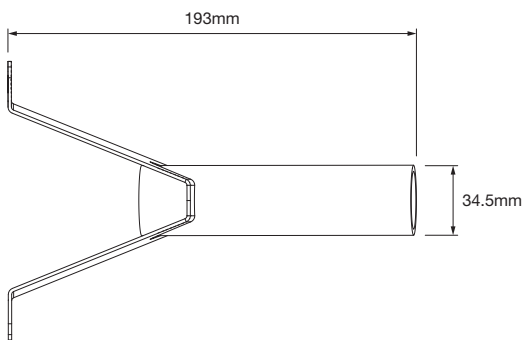


WALL MOUNTING BRACKET TO A SPIGOT

Dimensions



Description

The Wall Mounting Bracket to a Spigot allows spigot mounted lights to be easily installed on any flat surface.

Technical Specifications

Suitable for	DLK, DLK2, EWL
Mounting	4 x M6 Bolts (not included)
Weight	0.75kg
Spigot size	34.5mm

Ordering Example

ACC	-	WMB	-	SPIGOT	-	SS
		WMB Wall mount bracket		SPIGOT 34.5mm OD mounting spigot		SS Stainless Steel 304 GAL Galvanized steel