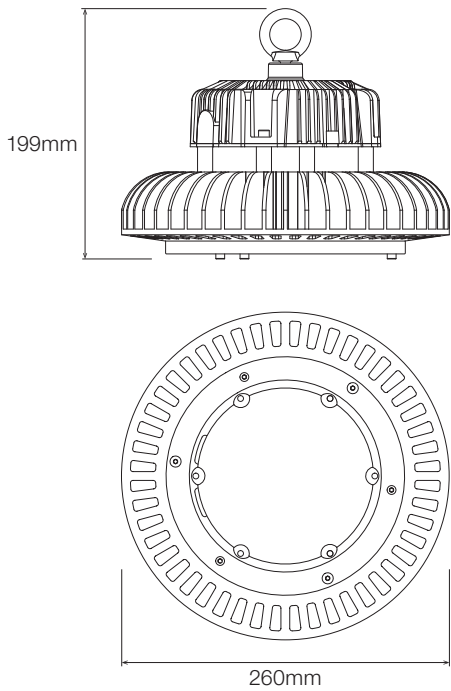


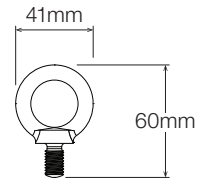
AZIZ LIGHT™ 160 LUMINAIRE



The Coolon AZIZ LIGHT™ may come with a number of mounting options depending on order requirements.

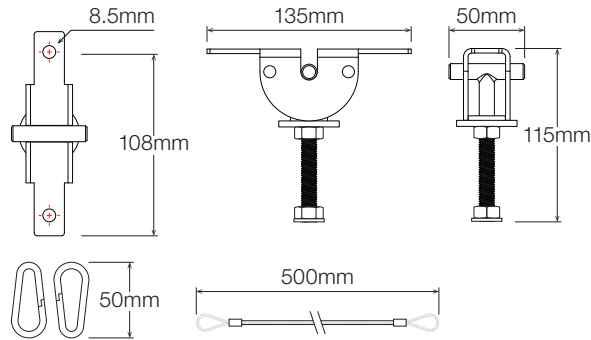
OPTION 1 - HOOK MOUNT

Suitable for application where the luminaire is suspended and is not likely to be swayed by the wind. This option is preferred in warehouse applications where lights may come in contact with a pallet during load racking.



OPTION 2 - T-BOLT SWIVEL BRACKET

Suitable for application where the luminaire is likely to be swayed by the wind. This option allows for fast and secure installation of luminaires on slanted roofs and ensures lights do not sway in the wind. Care should be taken when installing the light to allow sufficient clearance of any elevated loads or moving structures due to the rigid mounting bracket.



ATTENTION

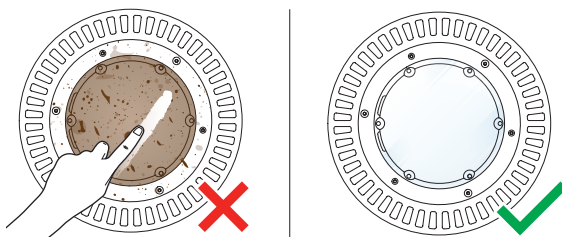
Customers must select an appropriate method and material for the mounting of luminaires/ equipment.

Avoid mixing materials which may lead to premature equipment failure or insecure mounting due to corrosion or accelerated wear and tear.

Account for environmental factors such as temperature, wind, vibration, shock, impact, etc. when identifying appropriate mounting.

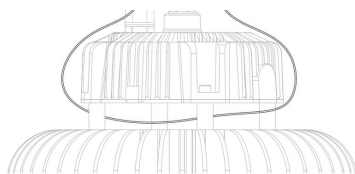
Optical surface obstructions:

Excessive and prolonged obstruction of the optical surface may result in associated damage which is not covered by warranty.



Secondary fall arrest:

Lanyard to be looped between driver and luminaire body. Luminaire drop height is not to exceed 300mm. Fall arrest lanyard must be able to withstand a drop load of 10kg min.



A periodic inspection and maintenance plan should be established in accordance with environmental and other relevant factors affecting the long term luminaire/equipment operation and secure mounting.

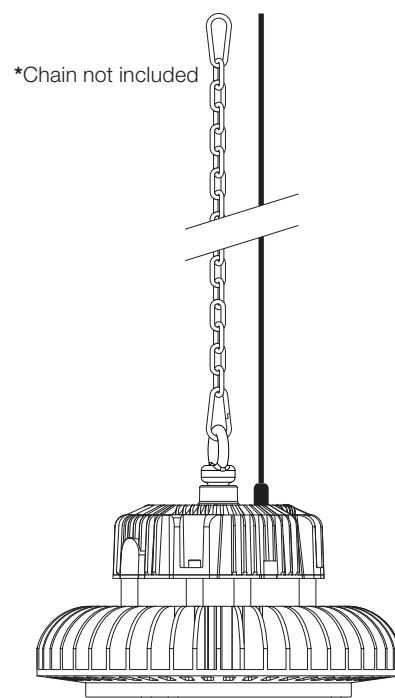
INSTALLATION INSTRUCTIONS

OPTION 1 - HOOK MOUNT

Step 1

Apply LOCTITE® to eye bolt thread. LOCTITE® 277 is recommended for a permanent bond. Tighten eye bolt to driver. Hook the AZIZ LIGHT™ to chain* and connect the cable.

Units not equipped with a plug must have the wires connected securely.

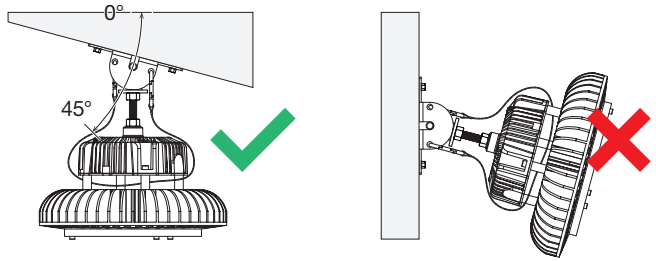


INSTALLATION INSTRUCTIONS

OPTION 2 - T-BOLT SWIVEL BRACKET

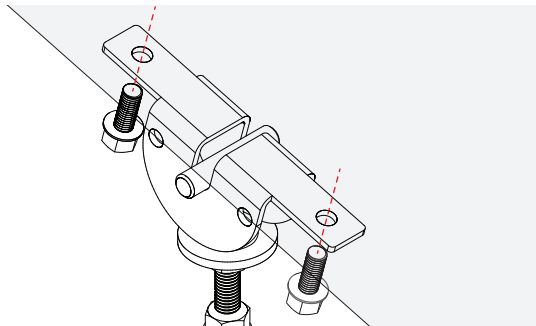
NOTE

The T-Bolt Swivel Bracket allows the AZIZ LIGHT™ high bay luminaire to be installed on angled surfaces between 0 and 45°. Luminaire should remain perpendicular to the ground.



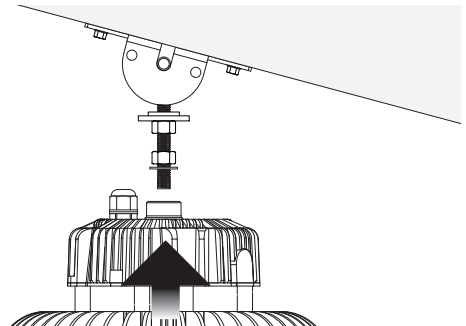
Step 1

Secure bracket base to mounting surface (bolts not supplied).



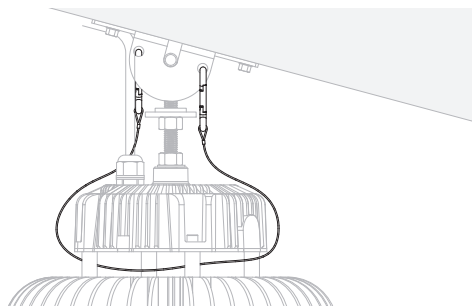
Step 2

Thread the driver of the AZIZ LIGHT™ to the T-Bolt assembly.



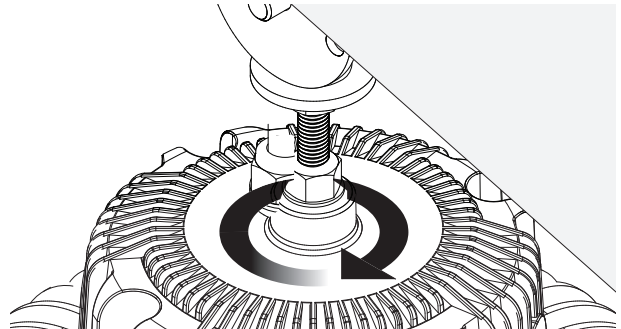
Step 3

Loop lanyard cable under the driver and secure to carabiner on the opposite side.



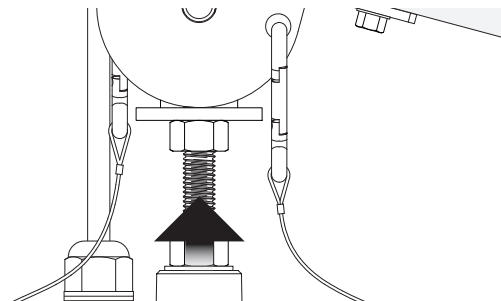
Step 4

Tighten nut to fasten T-Bolt to driver.



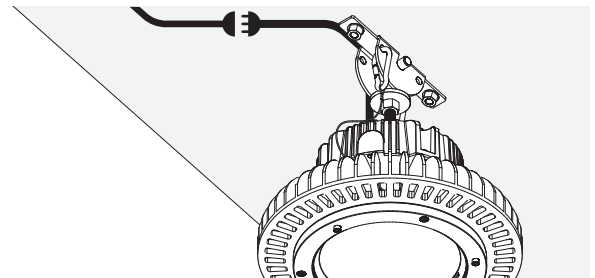
Step 5

Tighten upper nut to restrain unit from moving.



Step 6

Connect the power cable. Units not equipped with a plug must have the wires connected securely.



IMPORTANT

Primary use: commercial and industrial applications.

- Read through this manual before installation
- Handle the product with care
- Class I products must be grounded
- The product must be installed by a suitably qualified person
- Do not stare at operating lamp, may be harmful to the eyes
- Turn OFF the power before installation and maintenance
- Make sure the product is securely installed
- The housing might become hot after operation
- Keep optical face clean

