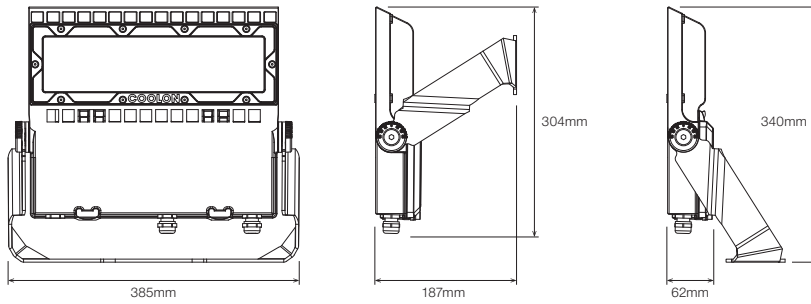


**Butch LED Floodlight 75W / 150W**



**Technical Specifications**

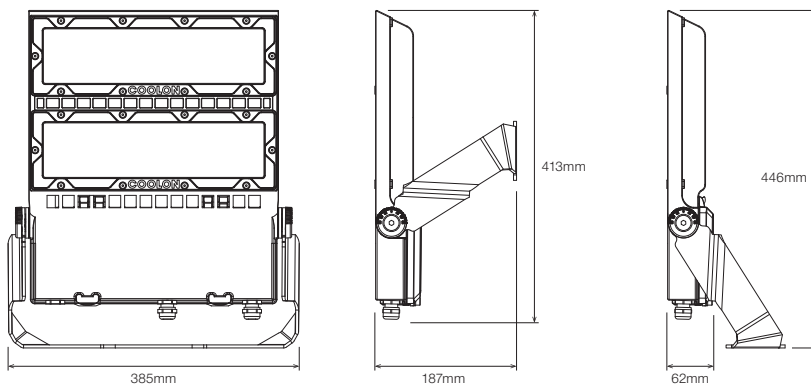
**Voltage In**  
200 – 440VAC 50/60Hz

**Power**  
85W / 160W

**IP/IK Rating**  
IP66 / IK09

**Operating Temperature**  
-20 to +50°C

**Butch LED Floodlight 240W**



**Technical Specifications**

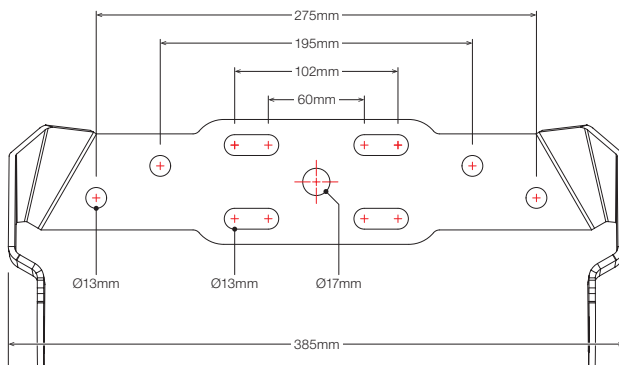
**Voltage In**  
200 – 440VAC 50/60Hz

**Power**  
250W

**IP/IK Rating**  
IP66 / IK09

**Operating Temperature**  
-20 to +50°C

**Bracket Footprint**



**U-Bolt Pole Mounting Clamp Kit (Optional)**

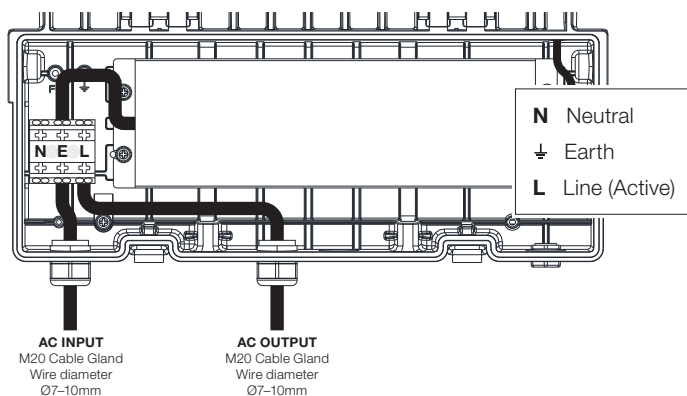
The U-Bolt Pole Mounting Clamp Kit is specifically designed for mounting products with a flat mounting surface on a variety of circular poles that are widely used in the industry.

For more information visit:

<https://www.coolon.com.au/dl/ind-acc-u-bolt-pmc>

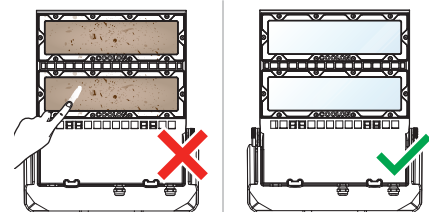


**WIRING DIAGRAM**

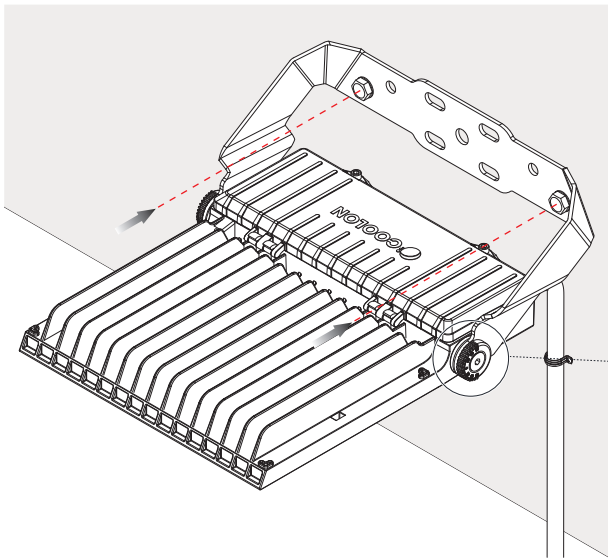


**ATTENTION**

Excessive and prolonged obstruction of the optical surface may result in associated damage which is not covered by warranty.

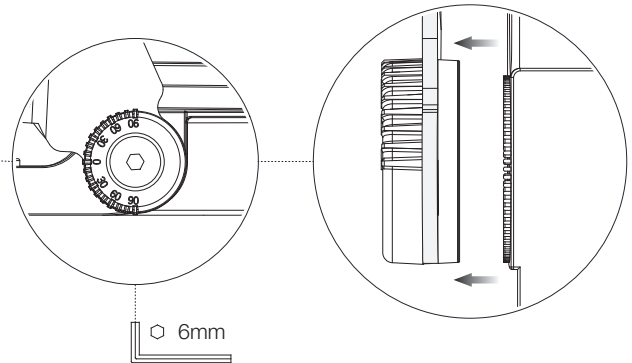


**MOUNTING**



The mounting bracket allows for a flat surface and pole mounting. When mounting to a flat surface, secure using a minimum of 2x M10 bolts. When mounting to a pole use a U-Bolt Pole Mounting Clamp Kit.

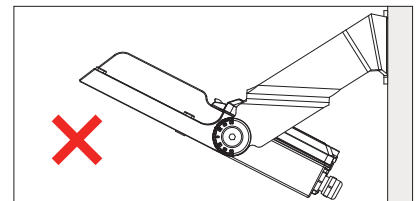
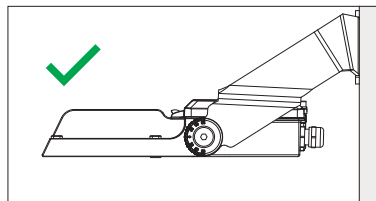
**NOTE:** In order to adjust bracket angle the bracket armlock teeth must be separated completely from the housing.



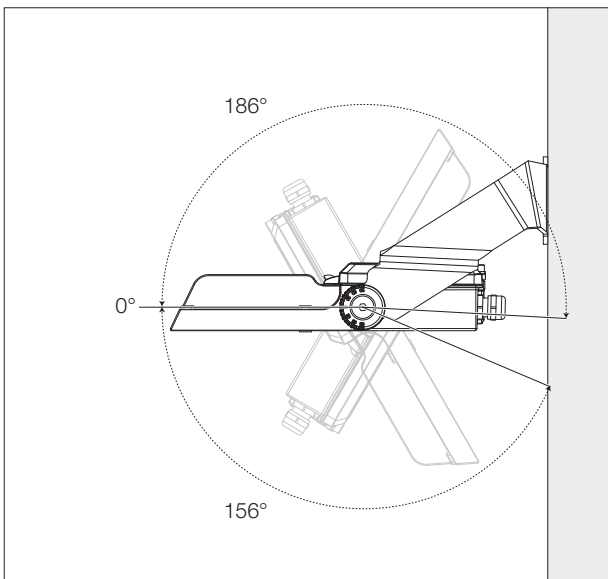
**Mounting to comply with Dark Sky (DS43)**



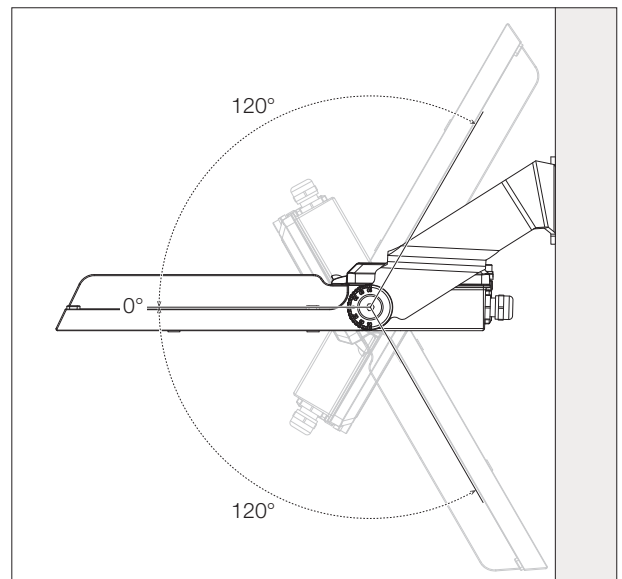
When mounting to comply with Dark Sky (DS43) BLF-150-WWT-T4-MP or BLF-240-WWT-T4-MP ensure the luminaire is mounted horizontally



**Butch LED Floodlight 75W / 150W**



**Butch LED Floodlight 240W**



**IMPORTANT**

**Primary use:** commercial and industrial applications.

- Read through this manual before installation
- Handle the product with care
- Class I products must be grounded
- The product must be installed by a suitably qualified person
- Do not stare at operating lamp, may be harmful to the eyes
- Turn OFF the power before installation and maintenance
- Make sure the product is securely installed
- The housing might become hot after operation
- Keep optical face clean

