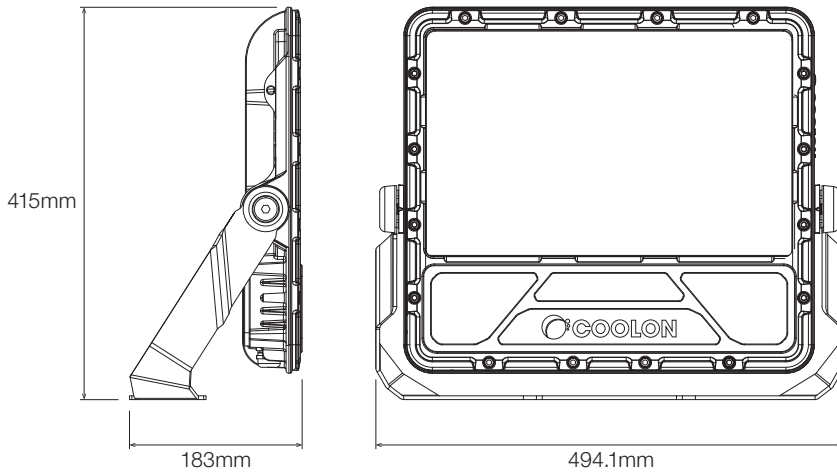
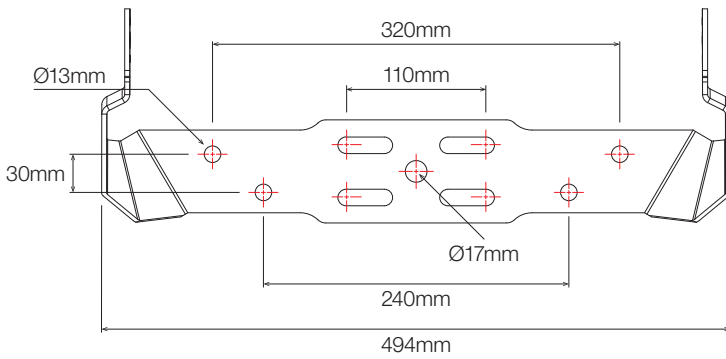


Cassidy LED Floodlight



Technical Specifications	
VOLTAGE IN	100 – 240VAC 47-63Hz
POWER CONSUMPTION (MAX.)	255W
IP/IK RATING	IP66 / IK08
OPERATING TEMPERATURE	-20 to +65°C

Bracket Footprint



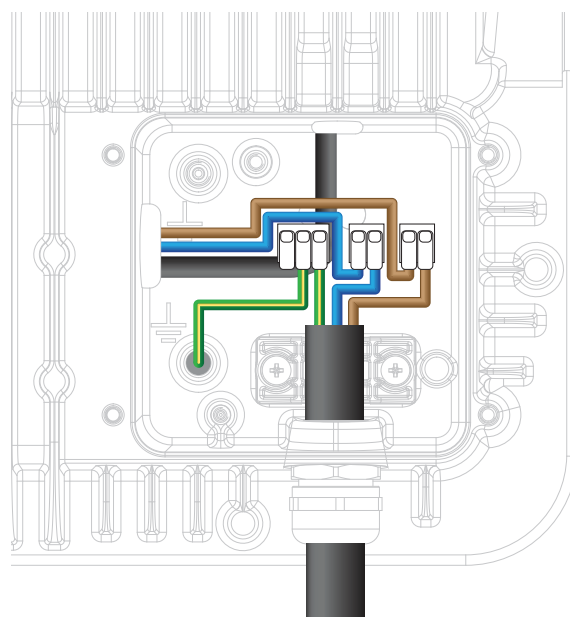
U-Bolt Pole Mounting Clamp Kit x 2 (Optional)

The U-Bolt Pole Mounting Clamp Kit is specifically designed for mounting products with a flat mounting surface on a variety of circular poles that are widely used in the industry.

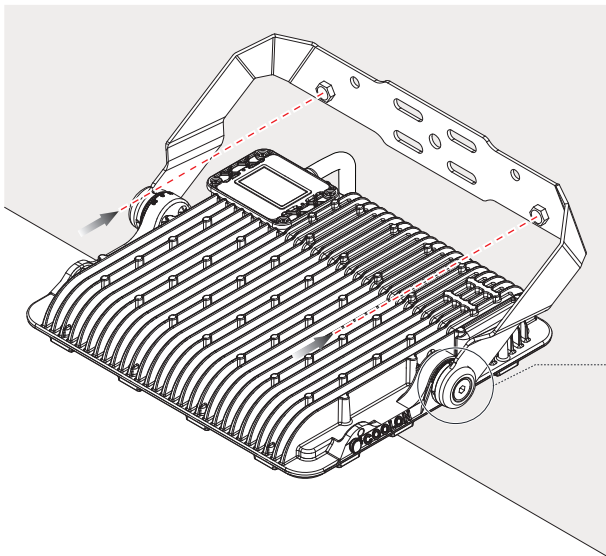
For more information visit:
<https://www.coolon.com.au/dl/ind-acc-u-bolt-pmc>



WIRING DIAGRAM

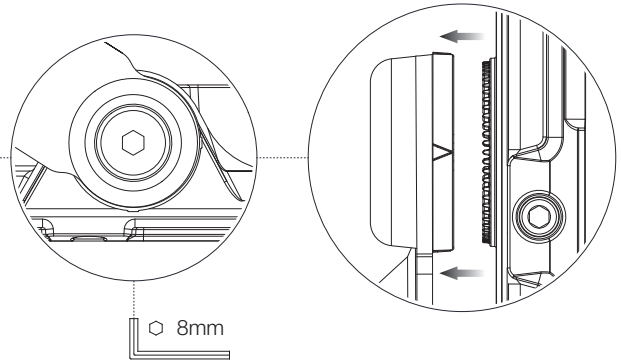


MOUNTING

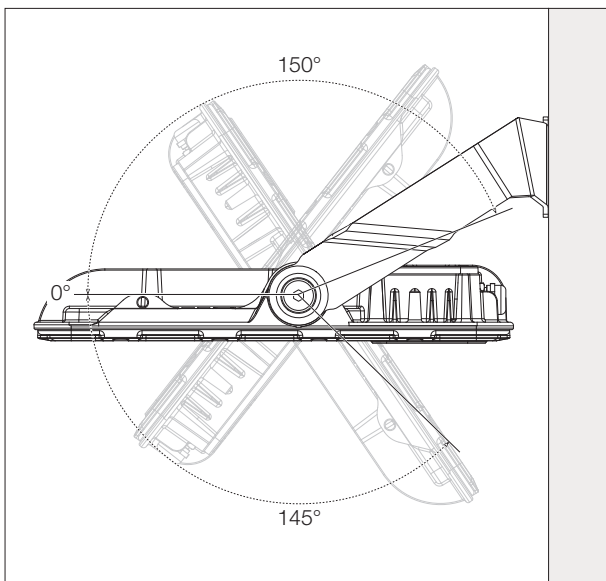


The mounting bracket allows for a flat surface and pole mounting. When mounting to a flat surface, secure using a minimum of 2x M10 bolts. When mounting to a pole use a U-Bolt Pole Mounting Clamp Kit.

NOTE: In order to adjust bracket angle the bracket armlock teeth must be separated completely from the housing.

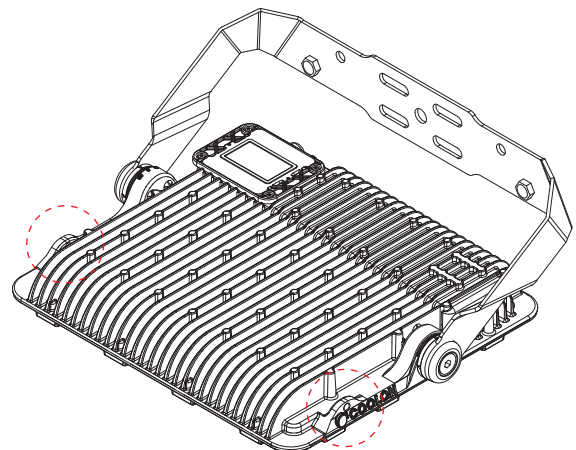


Rotation Angle



Lanyard Anchor Points

Additional anchor points have been provided for lanyards if desired (lanyards not supplied)



IMPORTANT

Primary use: flood light for commercial and industrial applications.

- Read through this manual before installation
- Handle the product with care
- The product must be grounded
- The product must be installed by a suitably qualified person
- Turn OFF the power before installation and maintenance
- Make sure the product is securely installed
- The housing might become hot after operation
- Keep optical face clean

