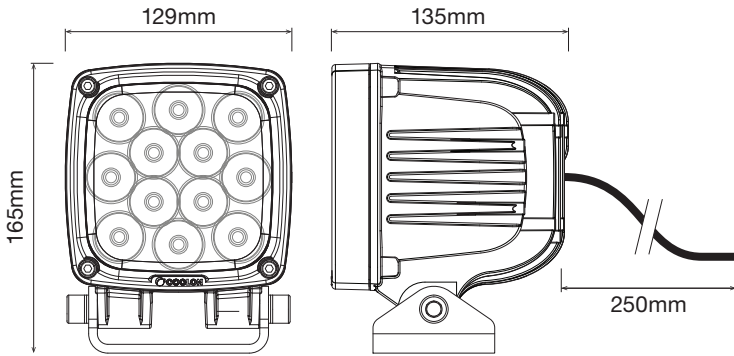
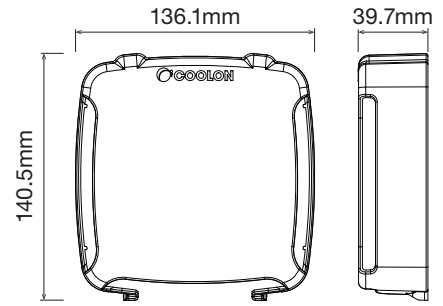


CP12UG Luminaire with Standard Bracket



Optional Clip-on Cover

ACC-CP12-COVER (available separately)



Technical Specifications

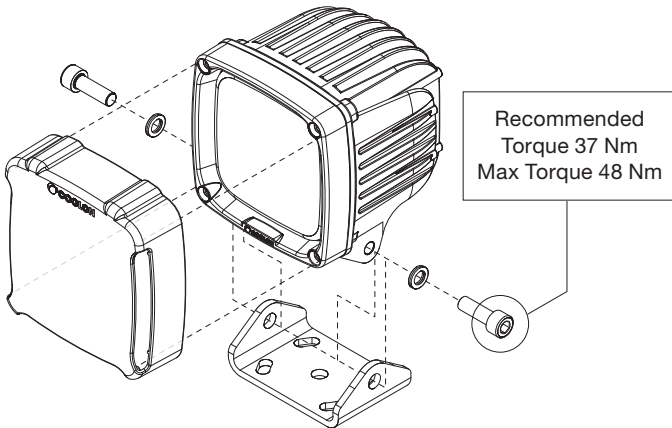
Voltage In
7 – 15VDC

Power
50W @ 12VDC

IP/IK Rating
IP66 / IK09

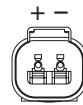
INSTALLATION INSTRUCTIONS

Adjust the mounting angle and secure the CP12UG lamp to the mounting bracket using the Norlock Washers and M10 hex screws.

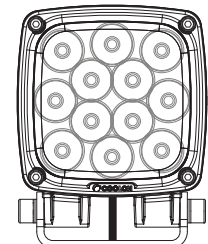


WIRING

Deutsch DT04-2P Connector (Fits DT06-2S)



White (Positive)
Black (Negative)



12VDC IN

Steel Wire Braided Cable



Visit the following link or scan the QR code for a quick demonstration showing the removal and installation of the clip-on cover: goo.gl/OZvYjc

⚠ ATTENTION:

Unit must not be operated with the clip-on cover and optical face blocked or obstructed.

The clip-on cover and other optical surfaces are to be kept clean for optimal light output and to prevent damage to the integral optics and cover.

Replace the clip-on cover if it is damaged or cannot be cleaned. Damage to the fitting due to operation with an obstructed optical face will not be covered by warranty.