



# SMART POWER SUPPLY

600W Smart Power Supply

BRILLIANT • CONNECTED

## TECHNICAL SPECIFICATIONS

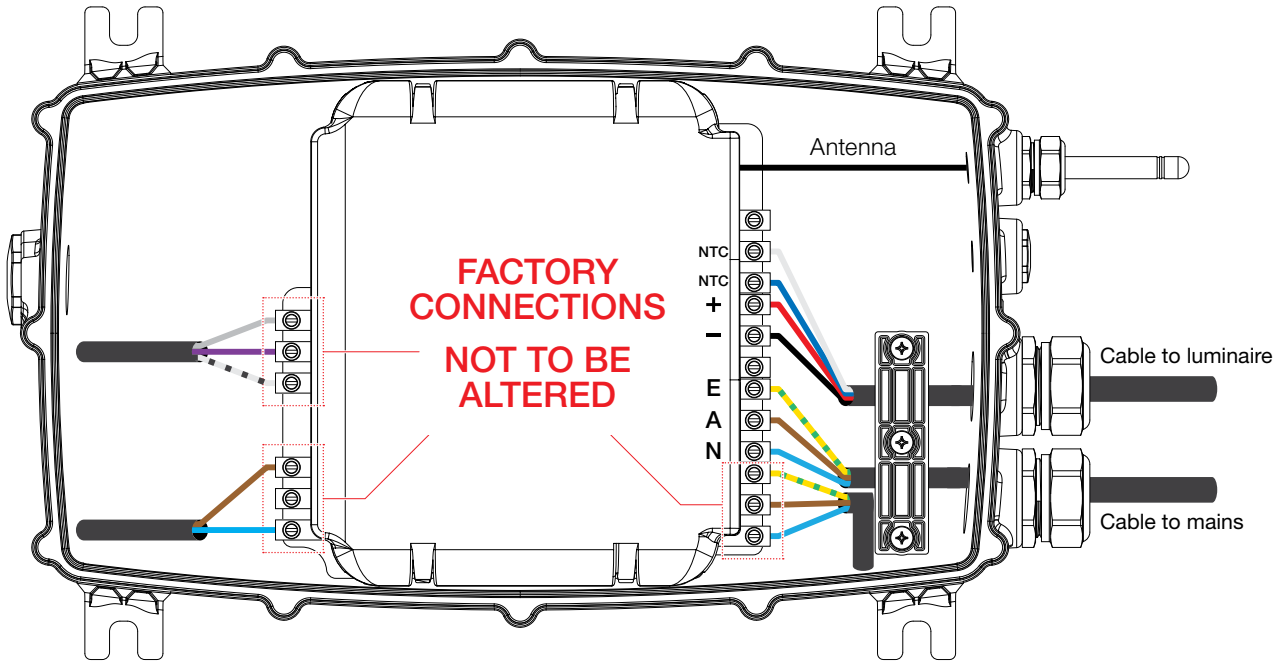
<b>Product</b>	Smart Power Supply
Models	PWRS-CLN-600-CC2800-381AL-MP230
<b>Electrical Characteristics (Power Supply) <sup>1</sup></b>	
Max Power Output <sup>2</sup>	600W
Nominal Voltage	230VAC. Rated output power is achieved at $V_{in} \geq 105VAC$
Voltage Range	105 – 305VAC
Frequency Range	47 – 63Hz
Power Factor	0.9 min
Leakage Current	<0.75mA @ 277VAC
Inrush current (peak)	10.8A (4ms duration)
Inrush current (I2t)	0.52 A2s
Surge Protection	DM 6kV, CM 10kV
Mains cable gland Type	M25x1.5 (not supplied)
Luminaire cable gland Type	M25x1.5 (supplied, with a reducer)
Luminaire cable diameter range	8-10mm
<b>Lighting Control <sup>3</sup></b>	
Dimming range	10 – 100%
ON/OFF switchable	Switchable to OFF @ 0% dimming

### Notes

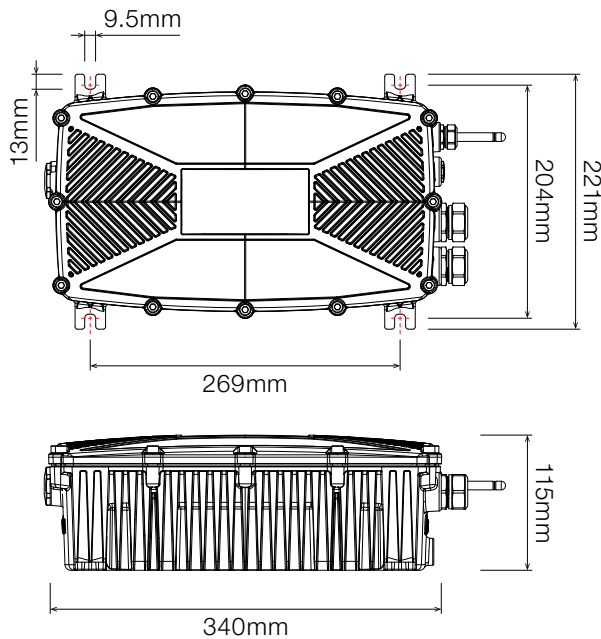
- <sup>1</sup> Reading taken while test unit operating in steady state. Ambient temperature during testing is typically 25°C.  
<sup>2</sup> Individual unit behaviour may differ due to electronic component tolerance and ambient conditions. Product parameters and application suitability shall be checked by the user prior to commissioning.  
<sup>3</sup> Actual power delivered will be dependent upon the remote luminaire type.  
<sup>4</sup> Lighting Control is possible via BitCortex Gateway (purchased separately).  
<sup>5</sup> Wireless range might significantly vary depending on the type of antennas used, elevation above the ground, presence of metal obstacles and environmental conditions.  
 Wireless coverage could be optimised with increased amount of devices forming mesh network.

<b>Wireless Communication</b>	
Protocol	Wirepas
Operating band	2.4 GHz, 40 Channels
Range <sup>4</sup>	Up to 200m line of sight
Data Encryption	AES-128
<b>Environmental Characteristics</b>	
IP Rating	IP66
Salt Spray Tested	Yes
Operating Temp. Range	-20°C to +50°C <sup>1</sup>
Material Composition (Body)	LM6 Aluminium Alloy (<0.1% copper content)
<b>Weight/Packaging</b>	
Unit Dimensions	382 x 221 x 115mm (+antenna protruding 71mm)
Unit Weight	5.8kg
<b>Warranty</b>	
Warranty	5 years warranty as standard

**TERMINAL CONFIGURATION (230VAC)**

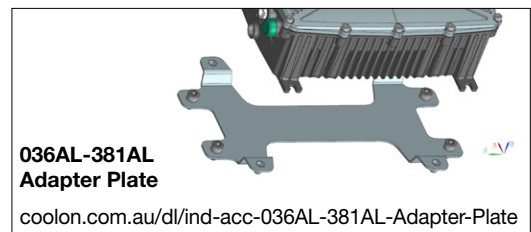
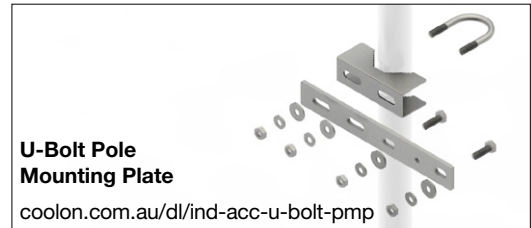


**DIMENSIONS**



**OPTIONAL ACCESSORIES**

Optional accessories available separately. Refer to industrial accessories page: [coolon.com.au/industrial-led-lighting/accessories](http://coolon.com.au/industrial-led-lighting/accessories) or follow the links below to download now.



**BitCortex**  
 A web based platform to manage and control smart wireless devices. Accessible anywhere through an internet connected browser. For more information on Coolon smart lighting range please visit: [www.bitcortex.net](http://www.bitcortex.net)

**WIREPAS MASSIVE ENABLED**  
 Wirepas is a leading IoT company on mission to democratise enterprise IoT. The Wirepas Massive self-healing network optimises itself by local decision-making to reach unlimited scalability, coverage and density while using the available radio spectrum as efficiently as possible.

**ORDERING EXAMPLE**

**PWRS - CLN - 600 - CC2800 - 381AL - MP230**

PRODUCT	POWER	CURRENT	ENCLOSURE	SUPPLY OPTION
PWRS Smart Power Supply	600 600W (max output)	CC2800 Current 2.8A	381AL Aluminium Alloy Enclosure (<0.1% copper content)	MP230 Main Power 230VAC nominal input voltage