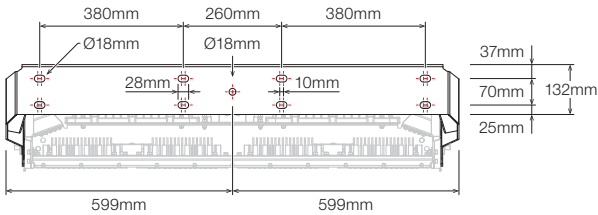
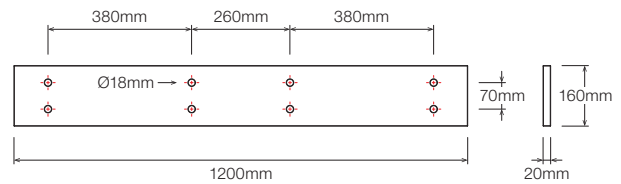


**Mounting Bracket**



**Beam Coupling Plate (Optional Accessory)**

ACC-BCP-BC400-PL330-MS



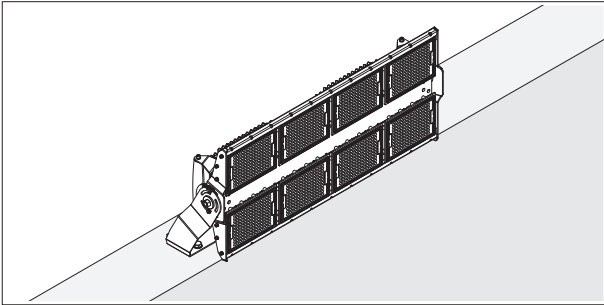
**Technical Specifications**

	VOLTAGE IN	FREQUENCY RANGE	POWER
<b>MP-WVR</b> Wide Voltage Range	200 – 440VAC / 254 – 550VDC	47 – 63Hz	960W
<b>RPS230</b> Remote Power Supply	100 – 240VAC / 127 – 250VDC	47 – 63Hz	960W
<b>RPS415</b> Remote Power Supply	277 – 440VAC / 352 – 500VDC	47 – 63Hz	960W

**MOUNTING CONFIGURATIONS**

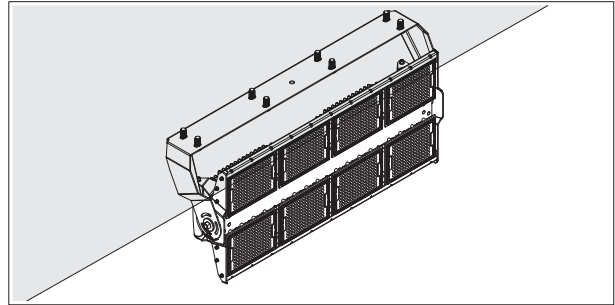
**Horizontal Plane**

To mount the XBLADE™ it is recommended to use:  
 8 x M16 Grade A4 Stainless (316) bolts\* **OR**  
 8 x M16 grade 8.8 galvanised High Tensile Steel bolts\*



**Horizontal Plane - Suspended**

To mount the XBLADE™ it is recommended to use:  
 8 x M16 Grade A4 Stainless (316) bolts\* **OR**  
 8 x M16 grade 8.8 galvanised High Tensile Steel bolts\*

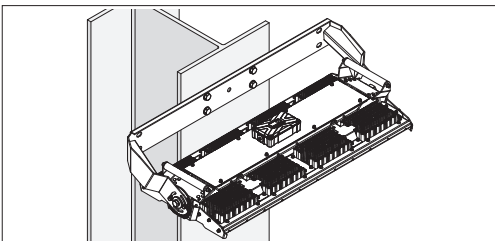


**NOTE:** The XBLADE™, may be mounted to various surfaces and with fewer than the recommended number of bolts, however, the customer is responsible to identify potential risks associated with the installation and to ensure appropriate measures are taken to maintain safety and proper working order. This may include the use of custom brackets, fall arrest hardware, etc.

\*Mounting hardware not supplied by Coolon.

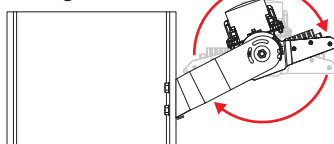
**Vertical Plane**

A beam coupling plate must be used to provide structural integrity along the length of the XBLADE™ mounting bracket in applications where the entire bracket cannot be fastened to a surface. Mount the XBLADE™ and Beam Coupling Plate using 8 x M16 bolts and nuts\*.

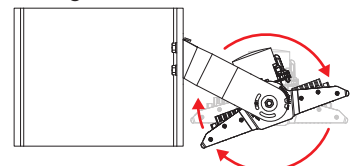


**NOTE:** XBLADE™ can rotate 360°. Please be aware of the power cable's position with respect to the angle of the luminaire, avoid cable damage due to excessive bending. When using the locking/securing screws 1 screw per side will be sufficient however some angles allow for an additional screw if desired.

**Configuration A**

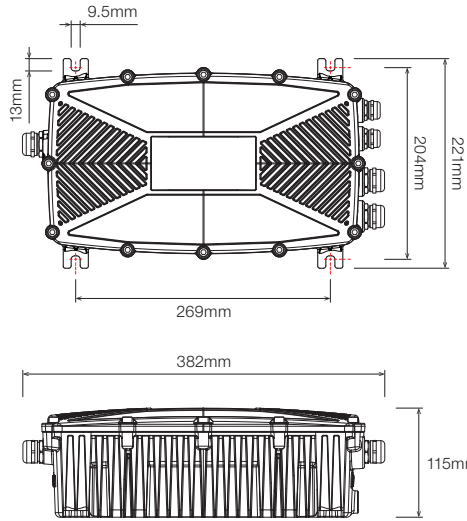


**Configuration B**



**SIZING AND SPACING**

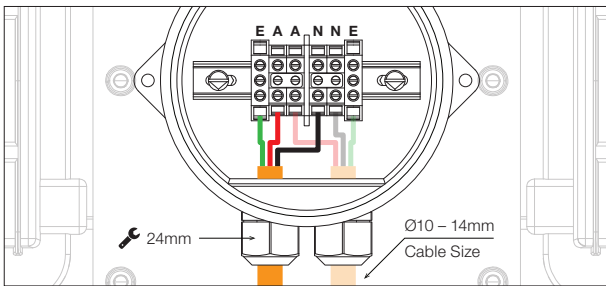
**Remote Power Supply**



**CONNECTION - MAINS**

Open the junction box by rotating the lid counter-clockwise

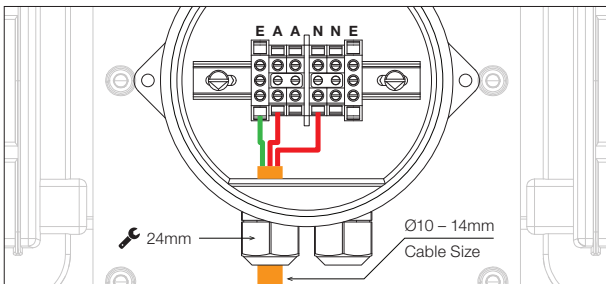
**230VAC**



230VAC MAINS IN  
(Cable not supplied)

OPTIONAL LOOP OUT

**415VAC DELTA**



415VAC MAINS IN  
(Cable not supplied)

415VAC nominal input voltage  
Use any 2 phases and connect to A and N

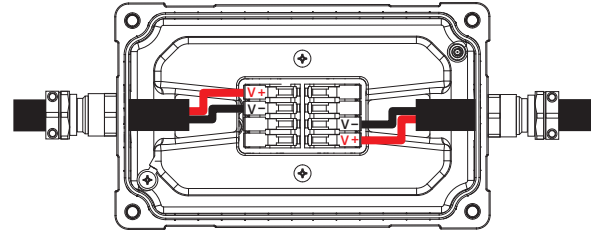


Once the product has reached end of life, unit is to be disposed of in accordance with local e-waste laws or regulations. Do not dispose of these products as unsorted municipal waste: take them for recycling. For information on your nearest recycling point, check with your local waste authority.

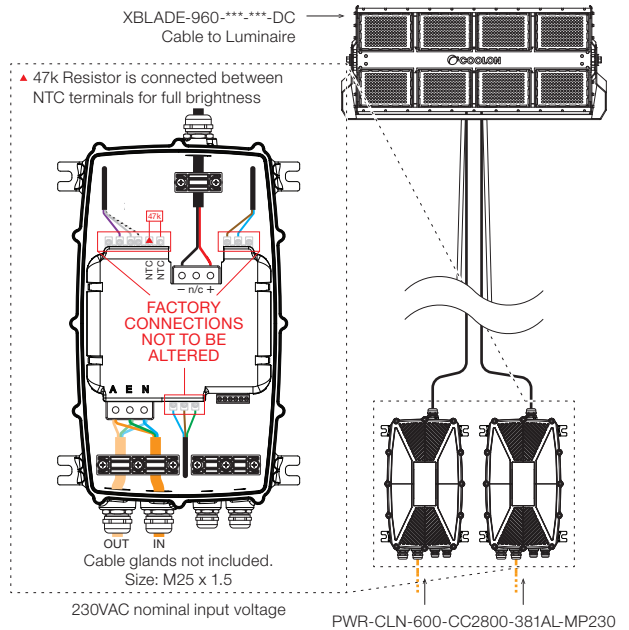
**CONNECTION - RPS**

Remove the junction box lid (4 x M6 SEMS Captive Screws) and connect wires from power supplies as per the diagram below.

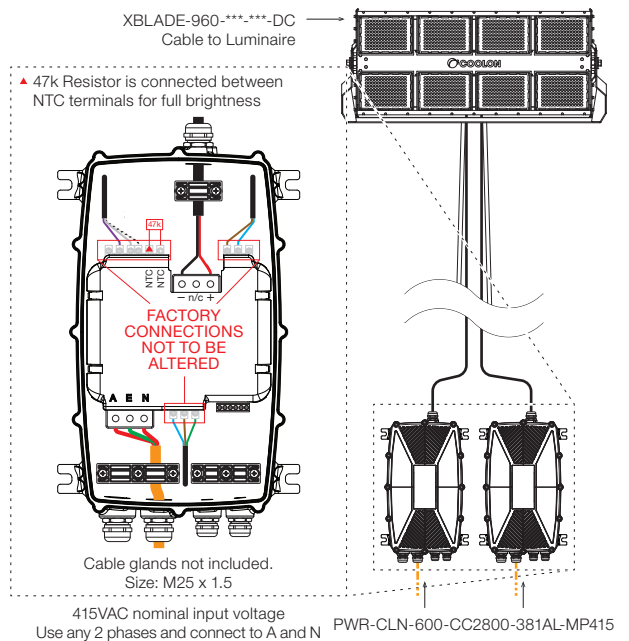
**NOTE:** No Polarity Protection. Observe correct DC polarity between power supply and luminaire. **Cable glands not included.** Size: M25x1.5. Cable gland with strain relief is recommended.



**Kit Configuration (230VAC)**



**Kit Configuration (415VAC DELTA)**



Distance between the power supply and luminaire can be extended up to 100 metres using a min 1.5mm<sup>2</sup>.

**NTC:** Negative Temperature Coefficient.