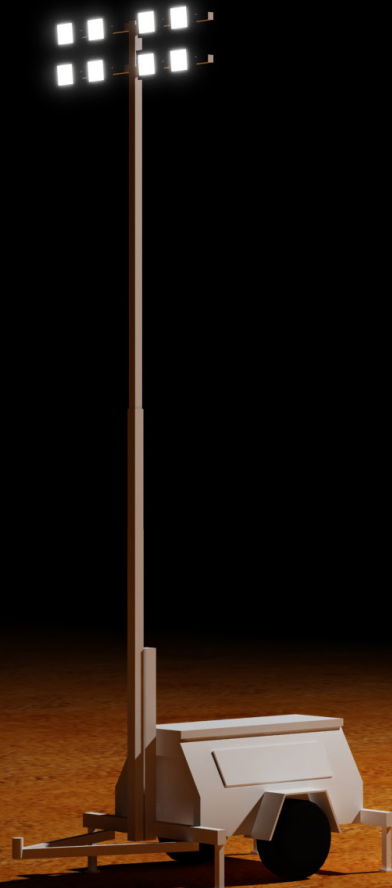


CP66 GENERIC LIGHTING TOWER

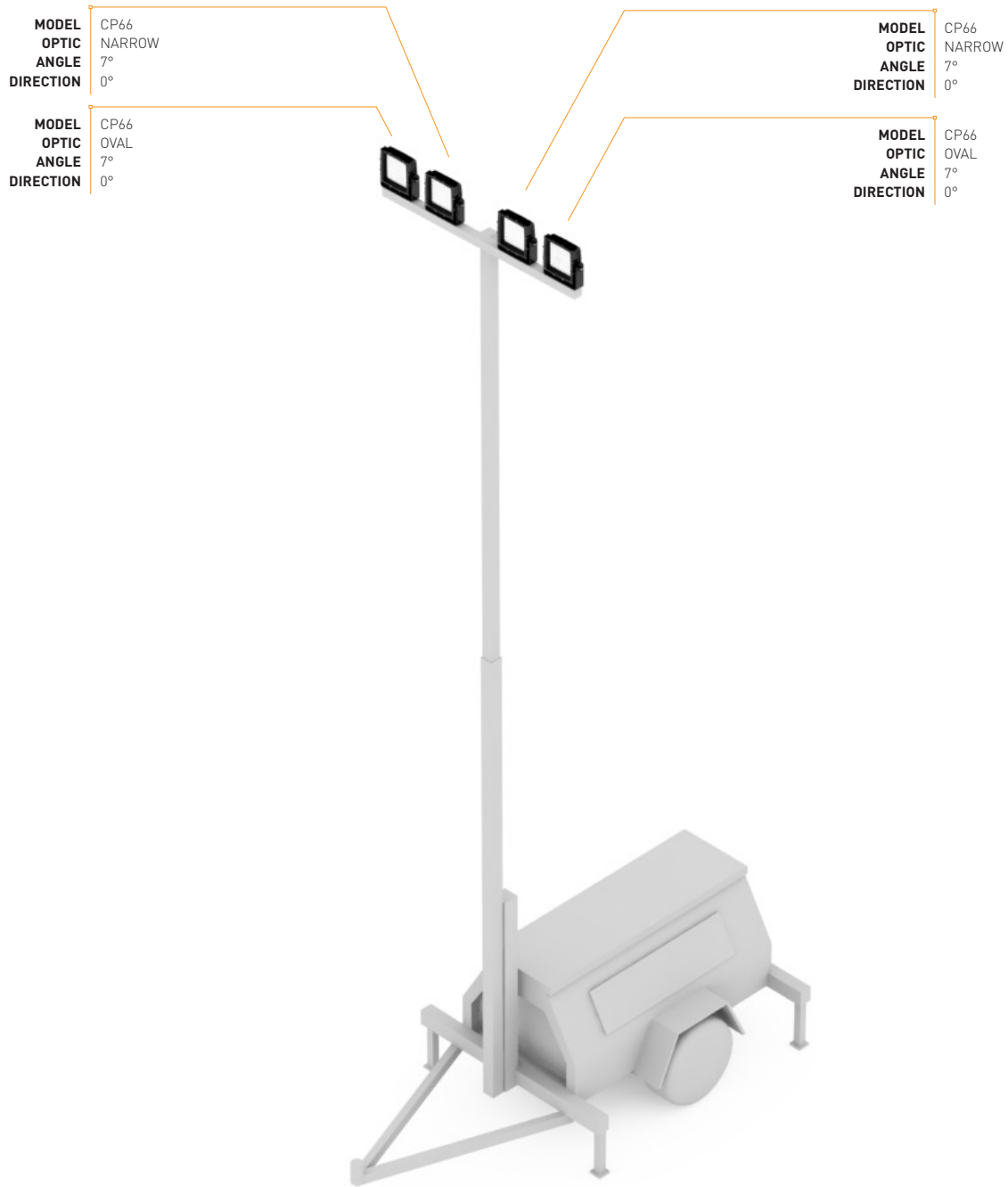
Lighting Design Simulation Report

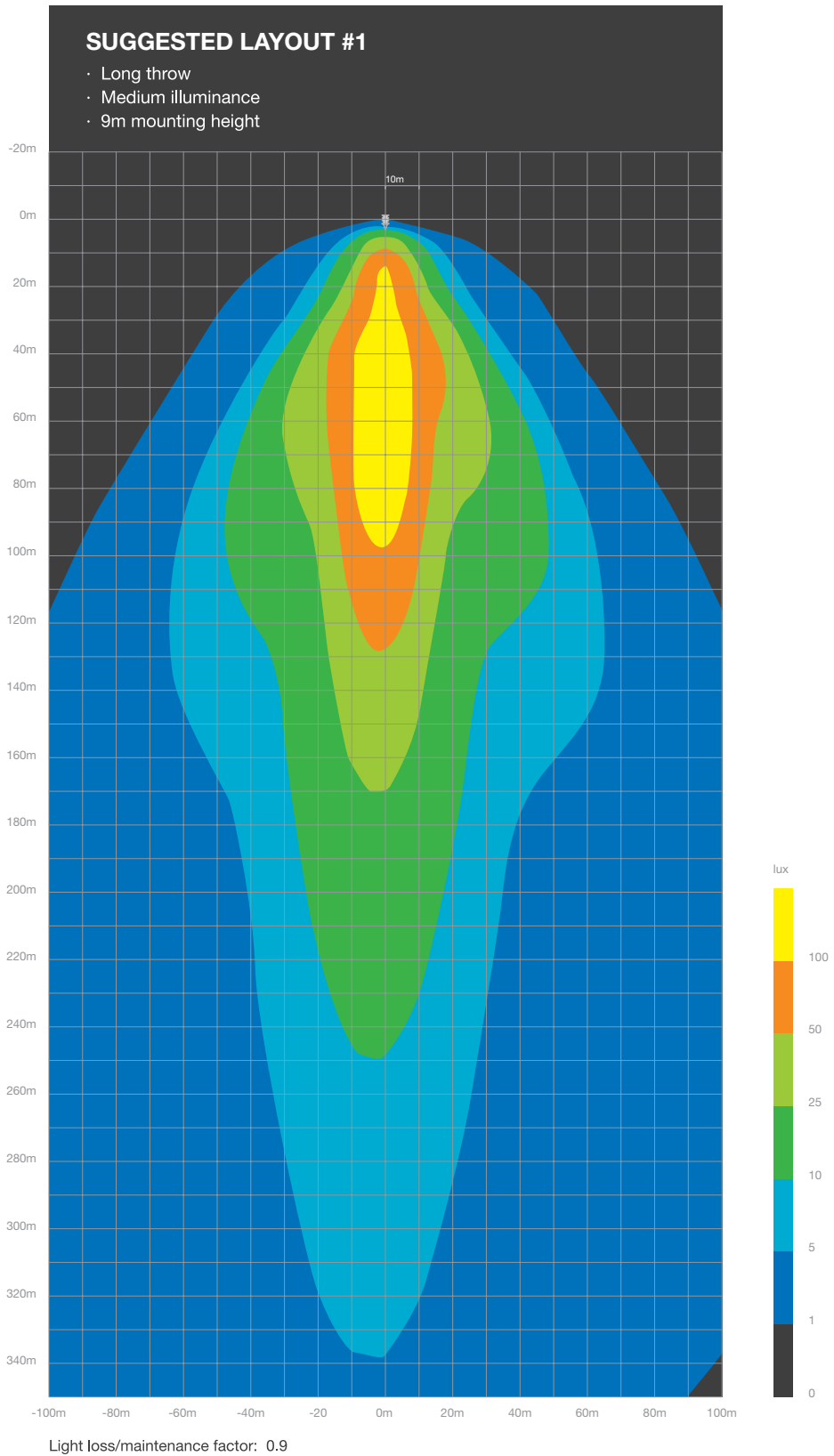




SUGGESTED LAYOUT #1

Model No.	Luminaire	Optic Type	Quantity
CP66-OVAL	CP66 Flood Light	OVAL Beam Angle	2
CP66-NARROW	CP66 Flood Light	NARROW Beam Angle	2

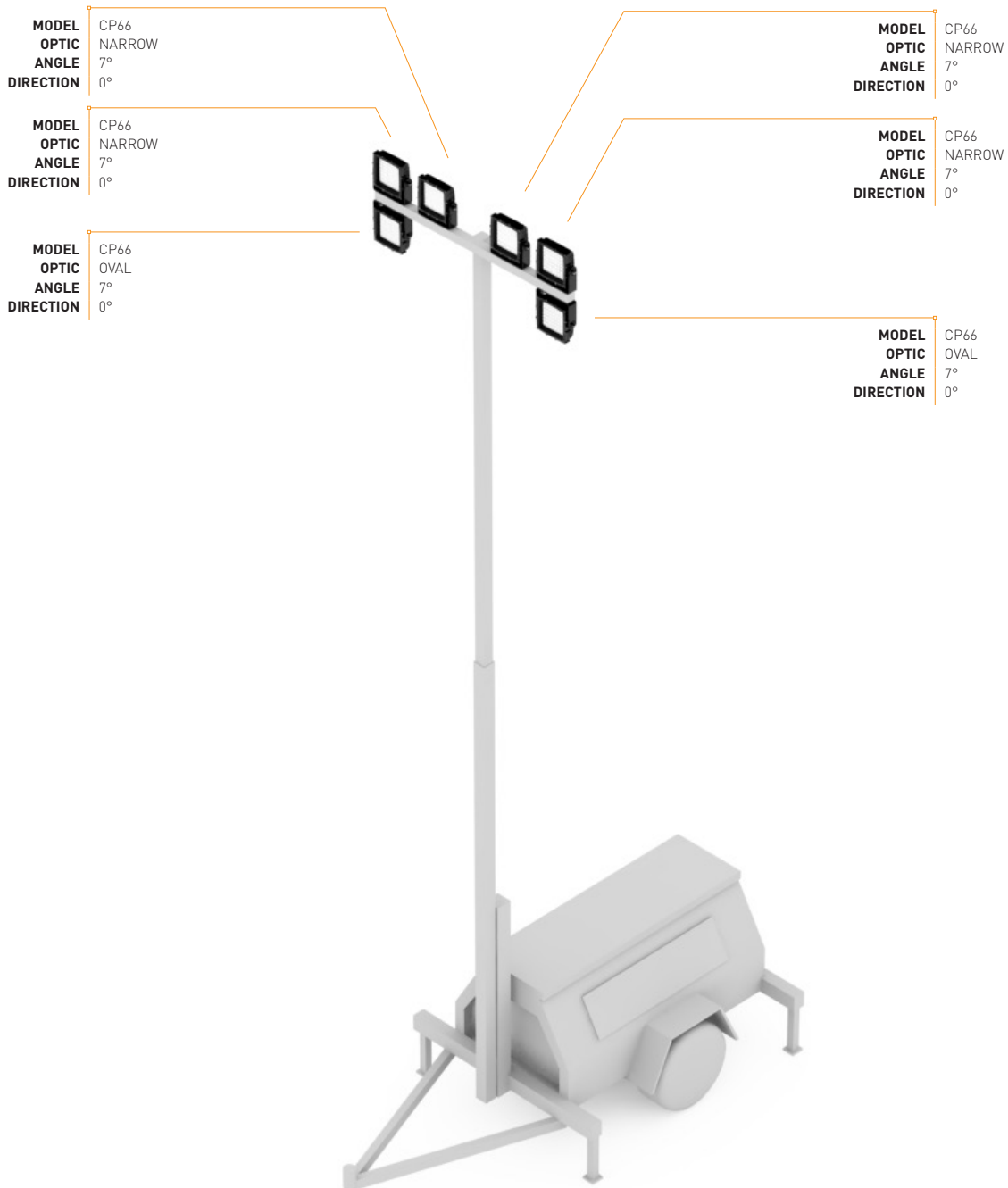


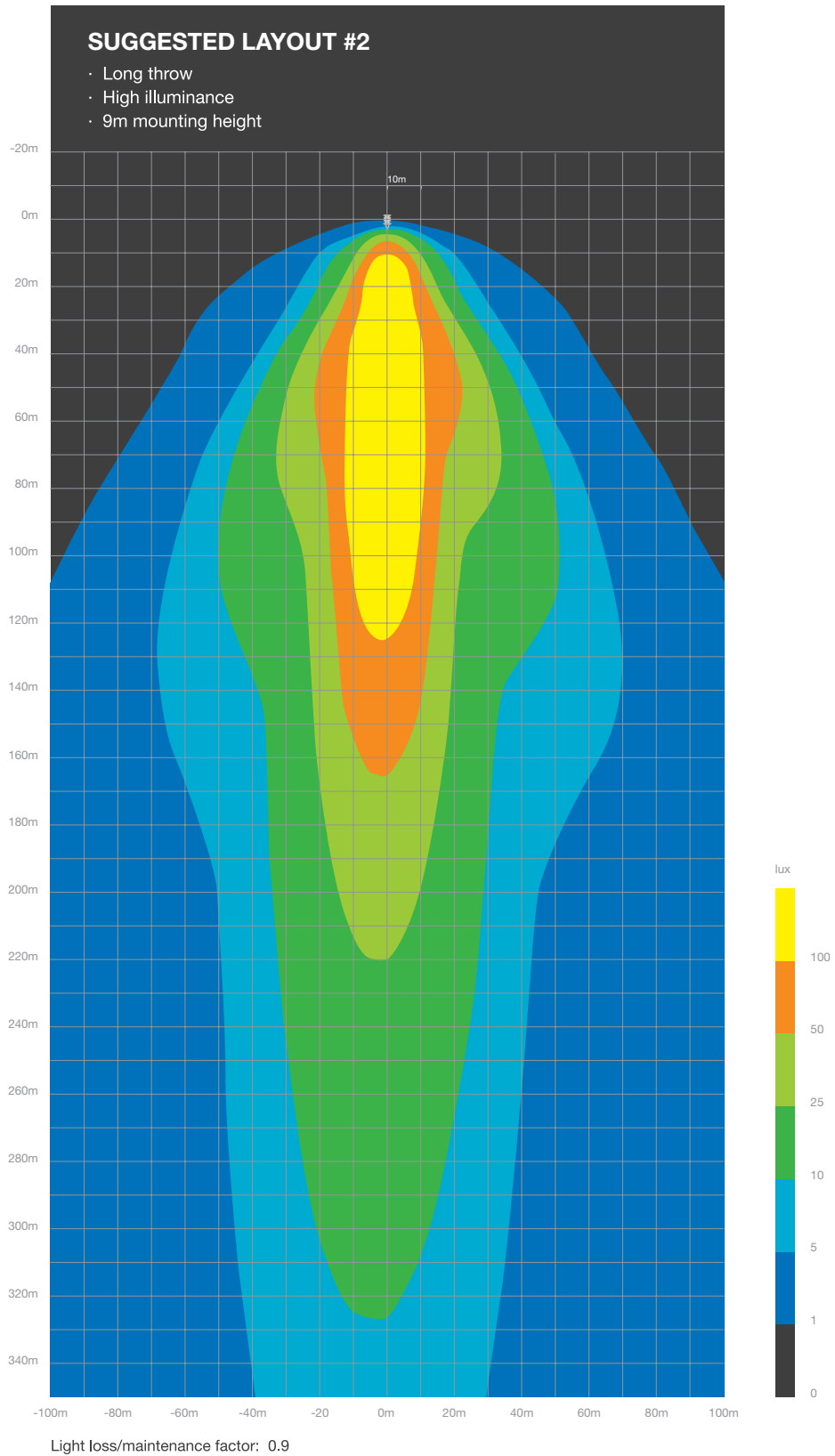


SUGGESTED LAYOUT #2

Long throw, High illuminance, 9m mounting height

Model No.	Luminaire	Optic Type	Quantity
CP66-OVAL	CP66 Flood Light	OVAL Beam Angle	2
CP66-NARROW	CP66 Flood Light	NARROW Beam Angle	4

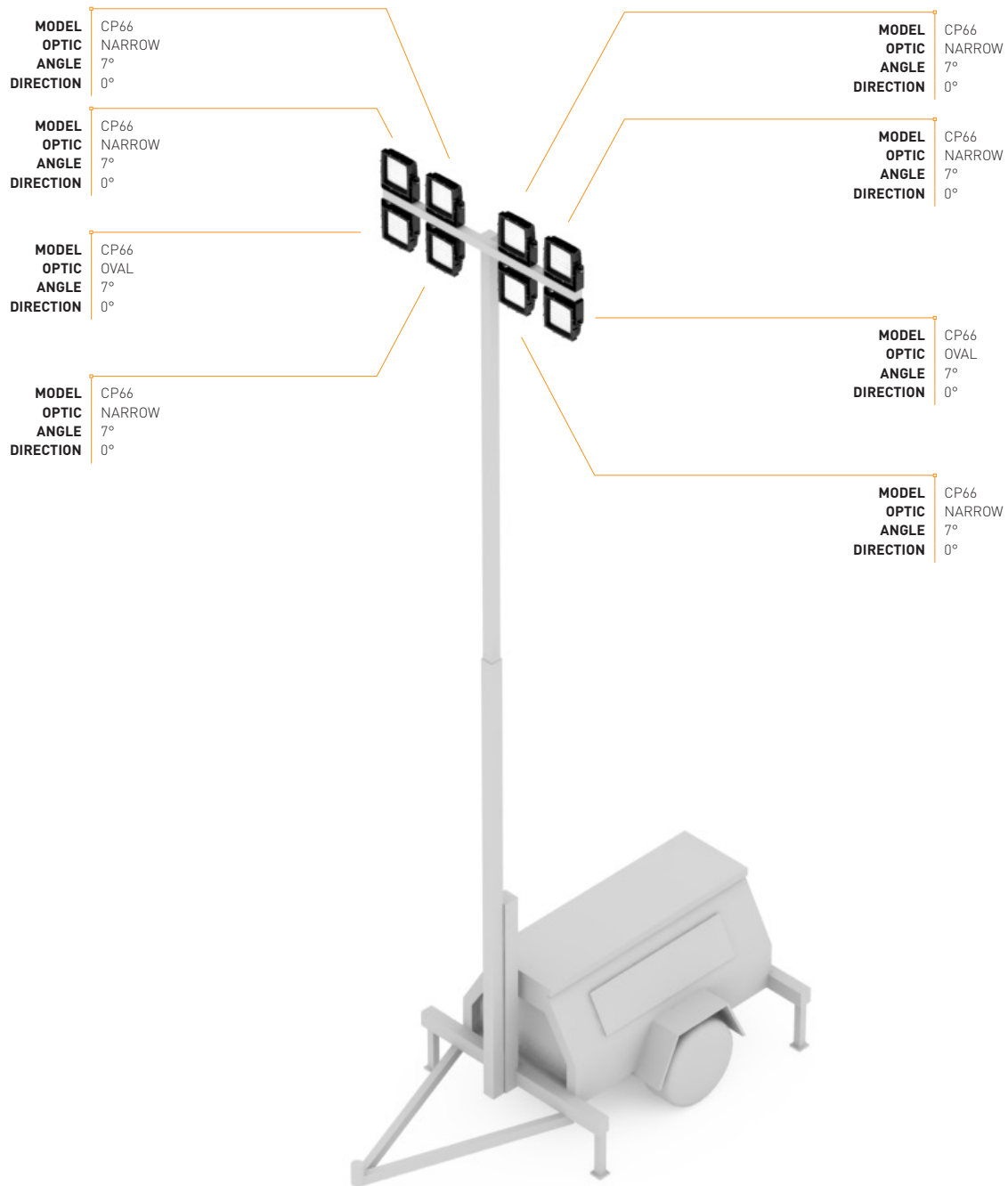


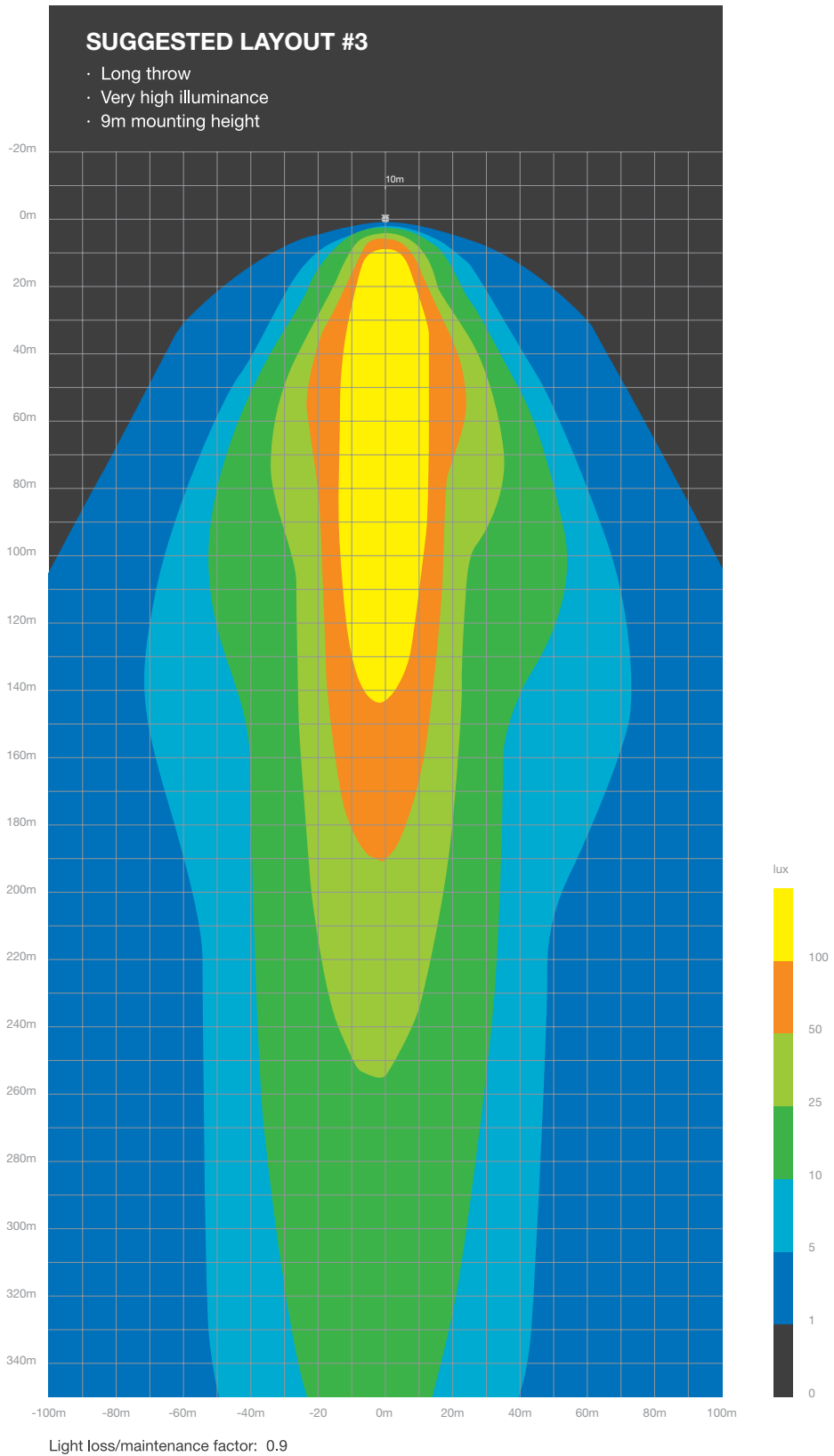


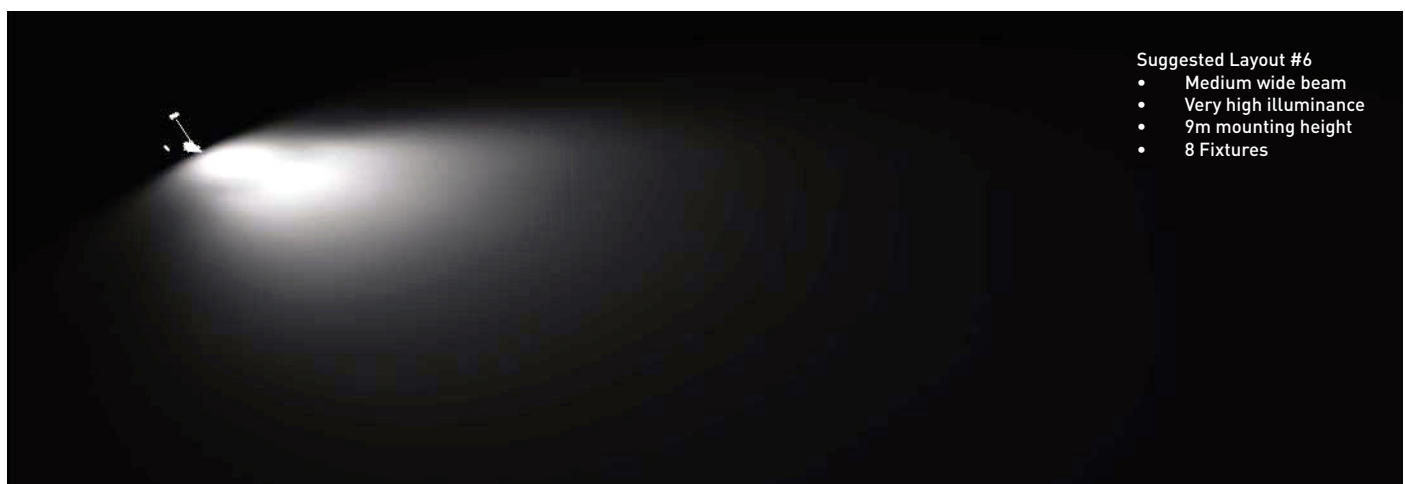
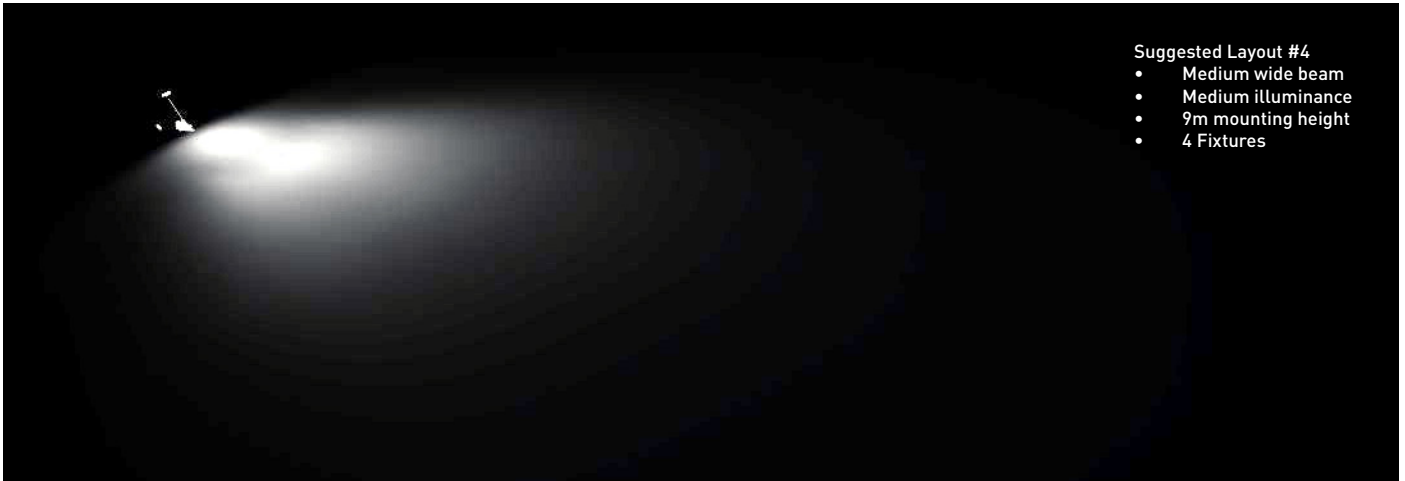
SUGGESTED LAYOUT #3

Long throw, Very high illuminance, 9m mounting height

Model No.	Luminaire	Optic Type	Quantity
CP66-OVAL	CP66 Flood Light	OVAL Beam Angle	2
CP66-NARROW	CP66 Flood Light	NARROW Beam Angle	6



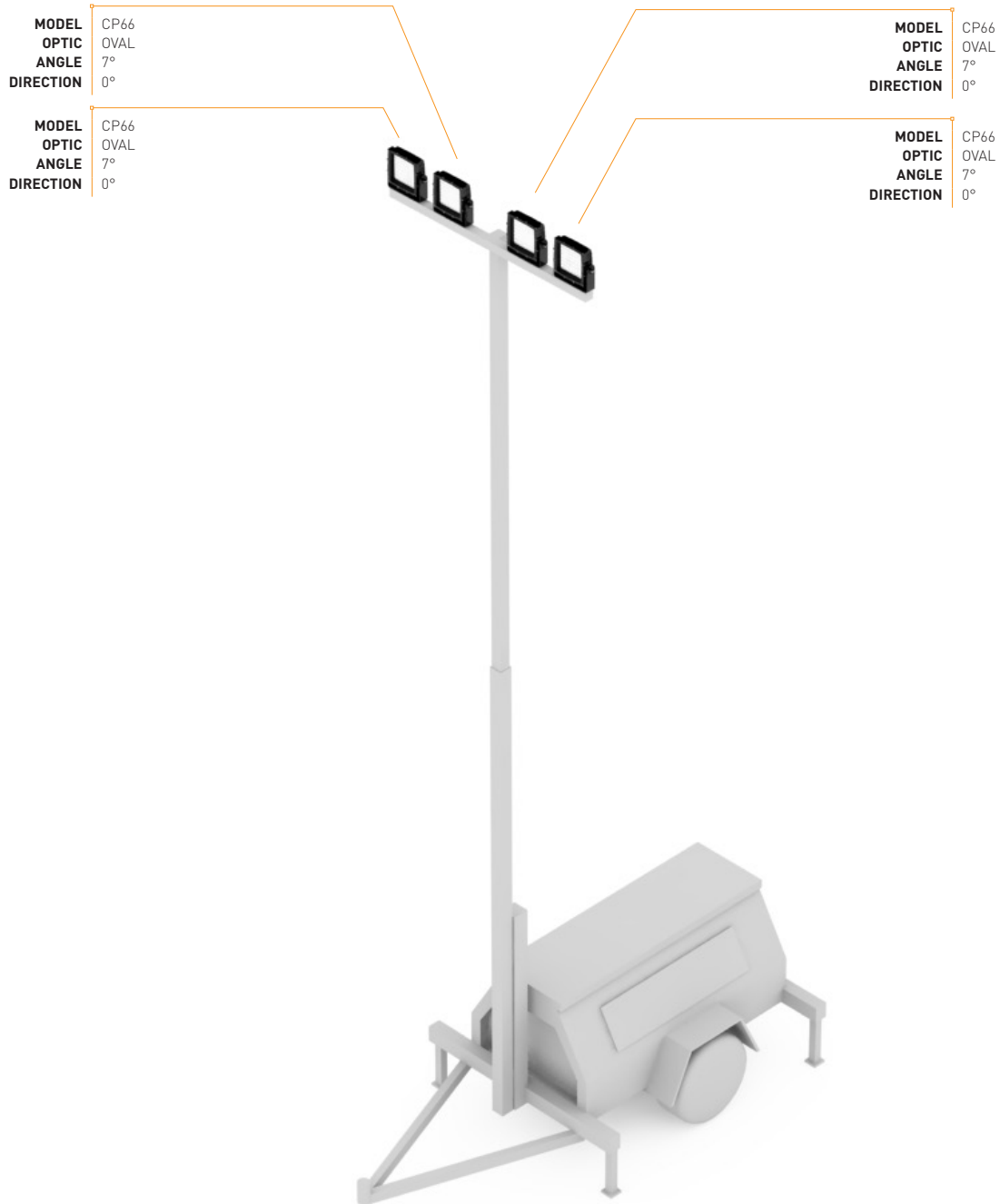


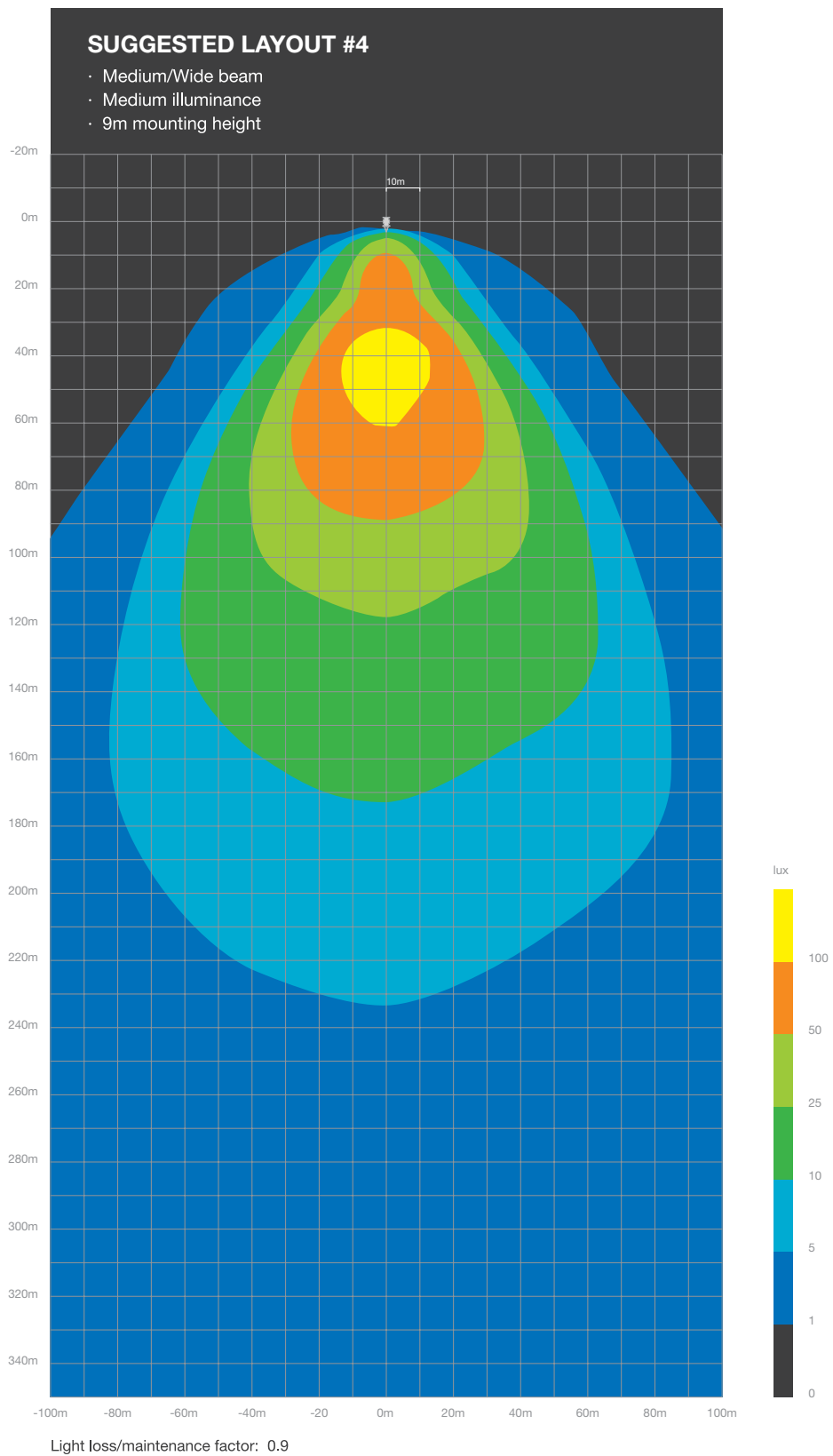


SUGGESTED LAYOUT #4

Medium/Wide beam, Medium illuminance, 9m mounting height

Model No.	Luminaire	Optic Type	Quantity
CP66-OVAL	CP66 Flood Light	OVAL Beam Angle	4

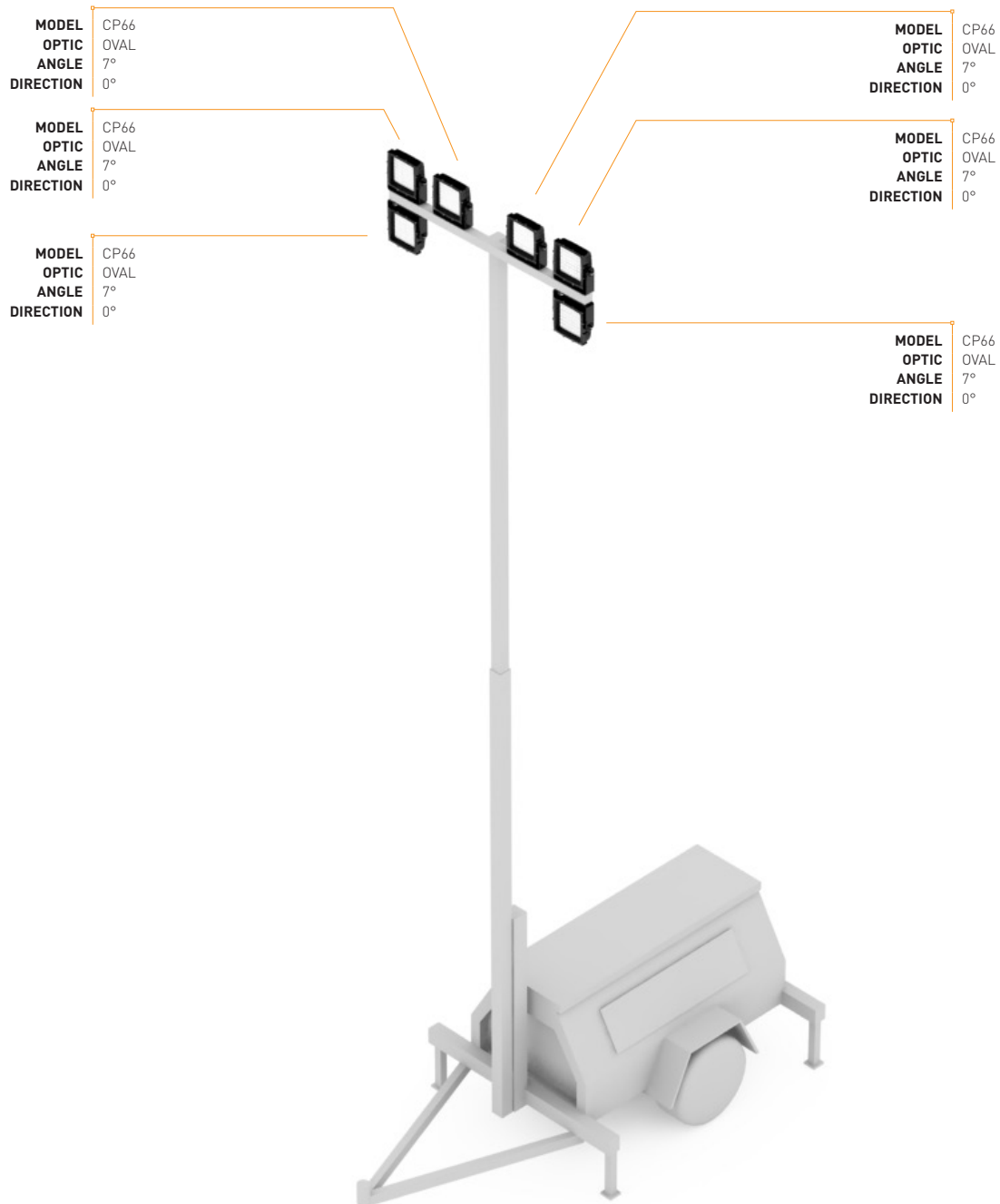


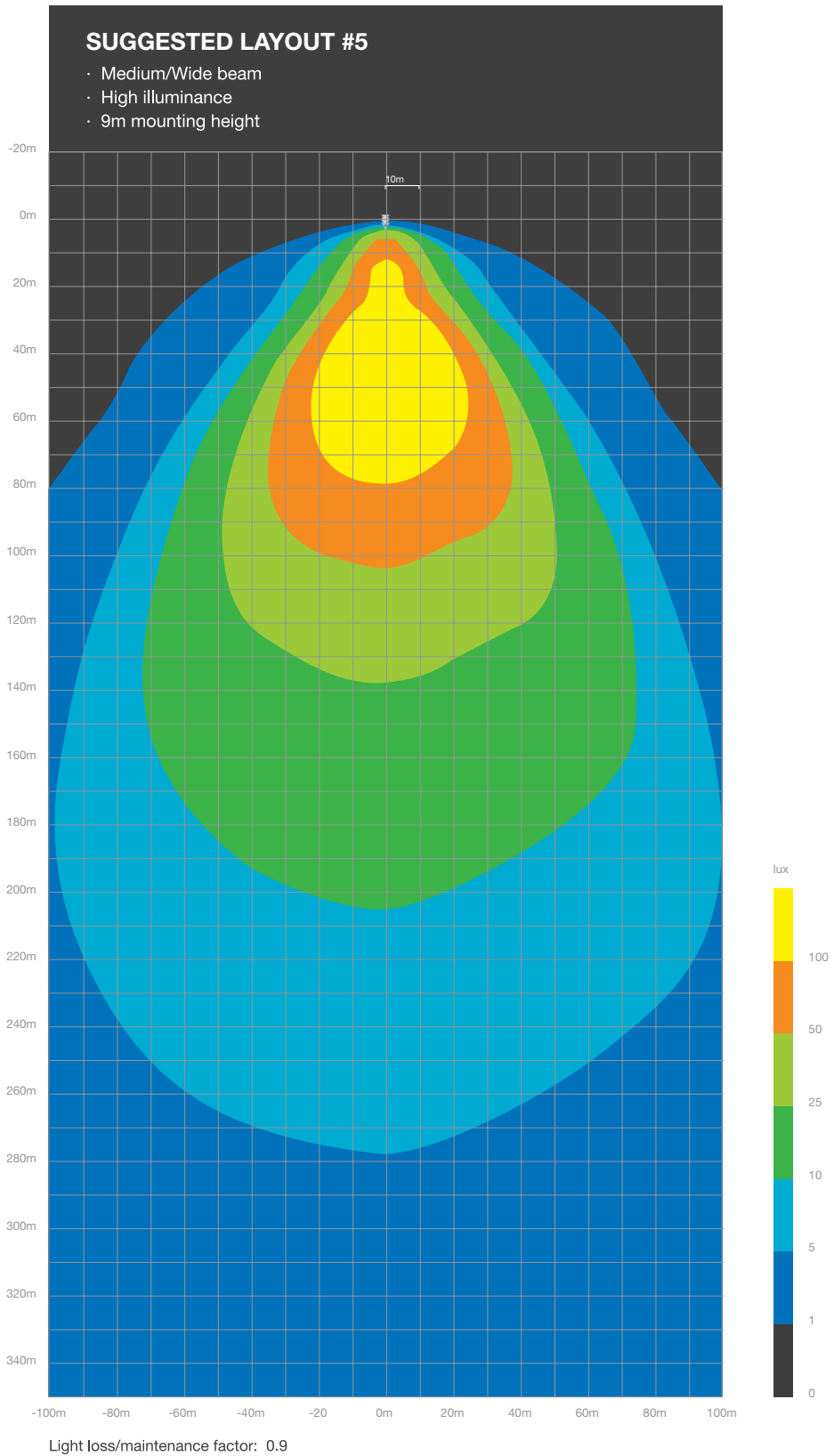


SUGGESTED LAYOUT #5

Medium/Wide beam, High illuminance, 9m mounting height

Model No.	Luminaire	Optic Type	Quantity
CP66-OVAL-MPB-NPS	CP66 Flood Light	OVAL Beam Angle	6





SUGGESTED LAYOUT #6

Medium/Wide beam, Very high illuminance, 9m mounting height

Model No.	Luminaire	Optic Type	Quantity
CP66-OVAL	CP66 Flood Light	OVAL Beam Angle	8

